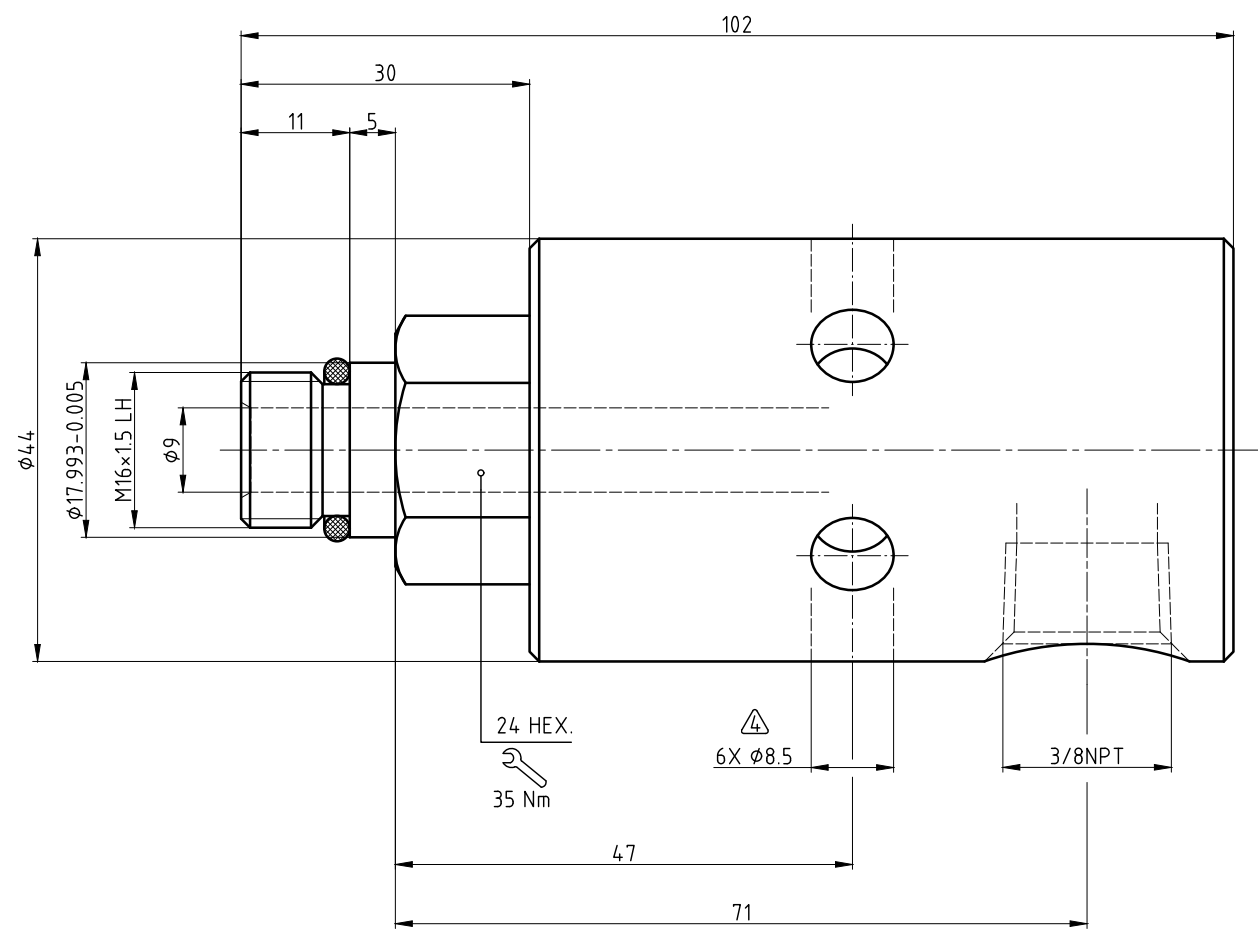
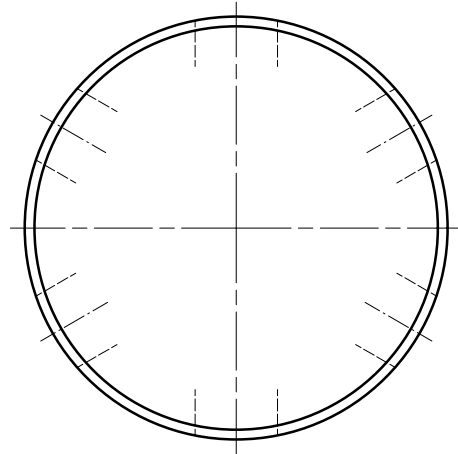
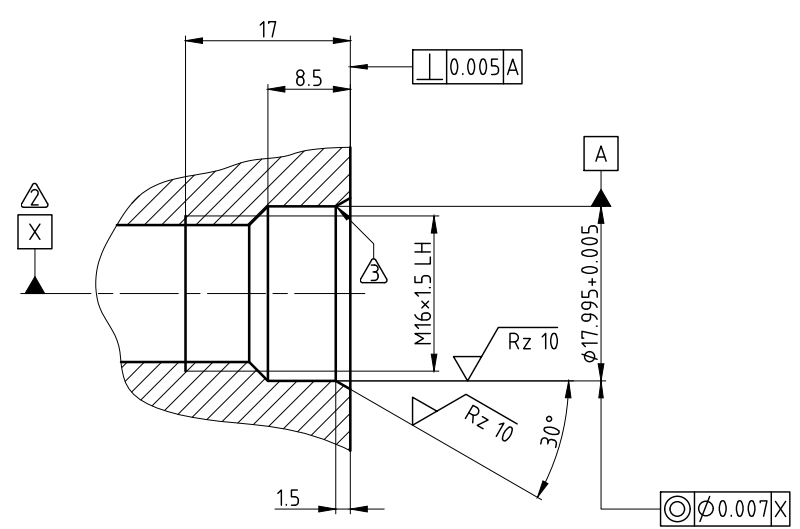


NOTES:

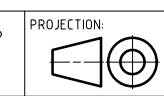
- 1 - USE INSTRUCTION MANUAL 040-554!
- SPINDLE BEARING ARRANGEMENT
- ROUNDED
- VENT



CUSTOMER'S INTERFACE



OPERATING DATA		
MEDIA	COOLANT	MQL
PRESSURE MAX.	70 bar	10 bar
SPEED MAX.	12000 min ⁻¹	12000 min ⁻¹
TEMPERATURE MAX.	70 °C	70 °C
FLOW RATE MAX.	82 l/min	2550 NI/min
DRY RUN	NO	



PROJECTION: SCALE: 2:1
 MATERIAL: INTERFACE CONTROL DRAWING

DATE	NAME	TITLE:
DRN. 07.04.2010	CW	DEUBLIN ROTATING UNION DEUBLIN Drehdurchführung
ENGR. 07.04.2010	FD	
APPD.		

NO. 1116-090-463
 SHEET A2

UNLESS SPECIFICALLY TOLERANCED, ALL DIMENSIONS ARE CONSIDERED REFERENCE

ISSUE MODIFICATION ECO DATE SIGN