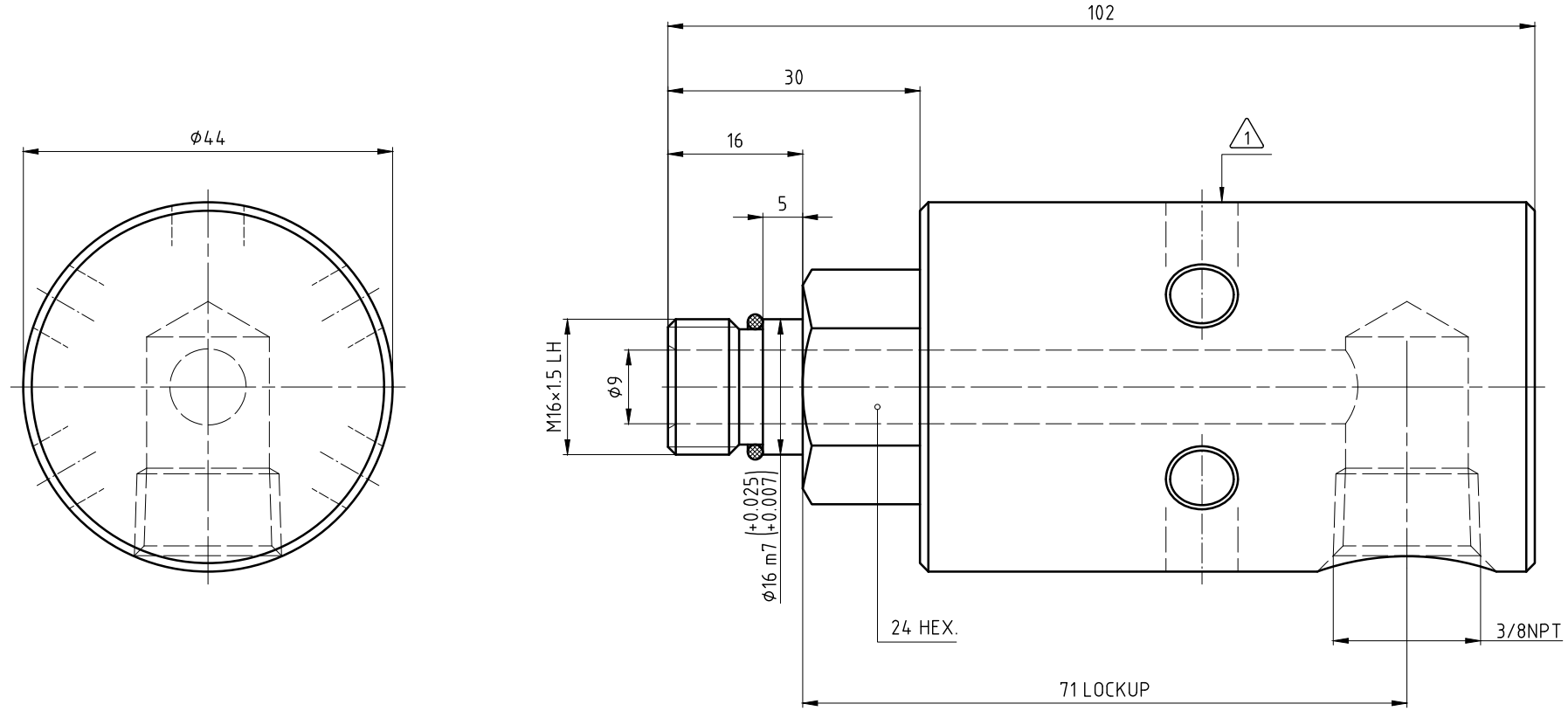


CONFIDENTIAL
 THIS DOCUMENT CONTAINS CONFIDENTIAL AND PROPRIETARY
 INFORMATION OF DEUBLIN COMPANY. COPYING, USE,
 TRANSMISSION, DISTRIBUTION, AND DISCLOSURE ARE SUBJECT
 TO THE TERMS AND CONDITIONS CONTAINED IN YOUR
 AGREEMENT WITH DEUBLIN COMPANY. ALL RIGHTS RESERVED.

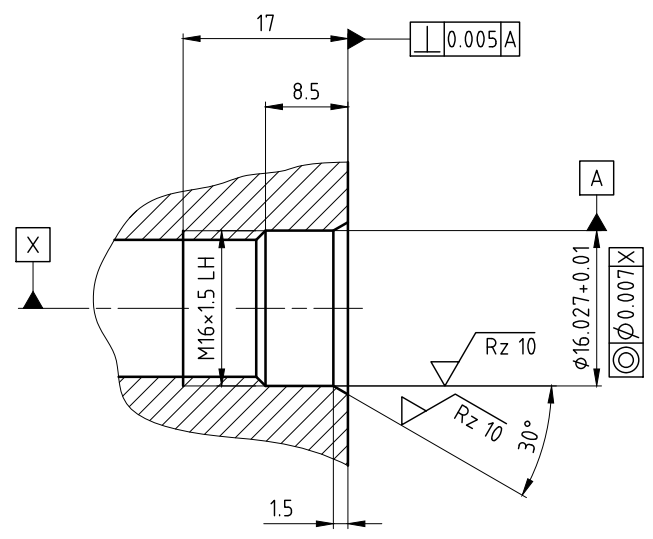
φ16	m7	+0.025	16.025
Maß	Passung	-0.007	16.007

NOTES:

① - HOUSING VENTS PLUGGED 6X WITH BRASS PLUGS.



CUSTOMER'S INTERFACE



OPERATING DATA		
MEDIA	COOLANT	AIR
PRESSURE MAX.	70 bar	10 bar
SPEED MAX.	12000 min ⁻¹	12000 min ⁻¹
TEMPERATURE MAX.	70 °C	70 °C
FLOW RATE MAX.	82 l/min	2550 NI/min
DRY RUN	NO	

		PROJECTION:	SCALE: 2:1
DATE: 11/04/10 NAME: GA		MATERIAL:	
ENGR. 11/04/10 NAME: GA		TITLE: INTERFACE CONTROL DRAWING DEUBLIN UNION 1116-426-143	
APPD.		NO. 1116-090-143	
ISSUE MODIFICATION ECO DATE SIGN	UNLESS SPECIFICALLY TOLERANCED, ALL DIMENSIONS ARE CONSIDERED REFERENCE		SHEET A2