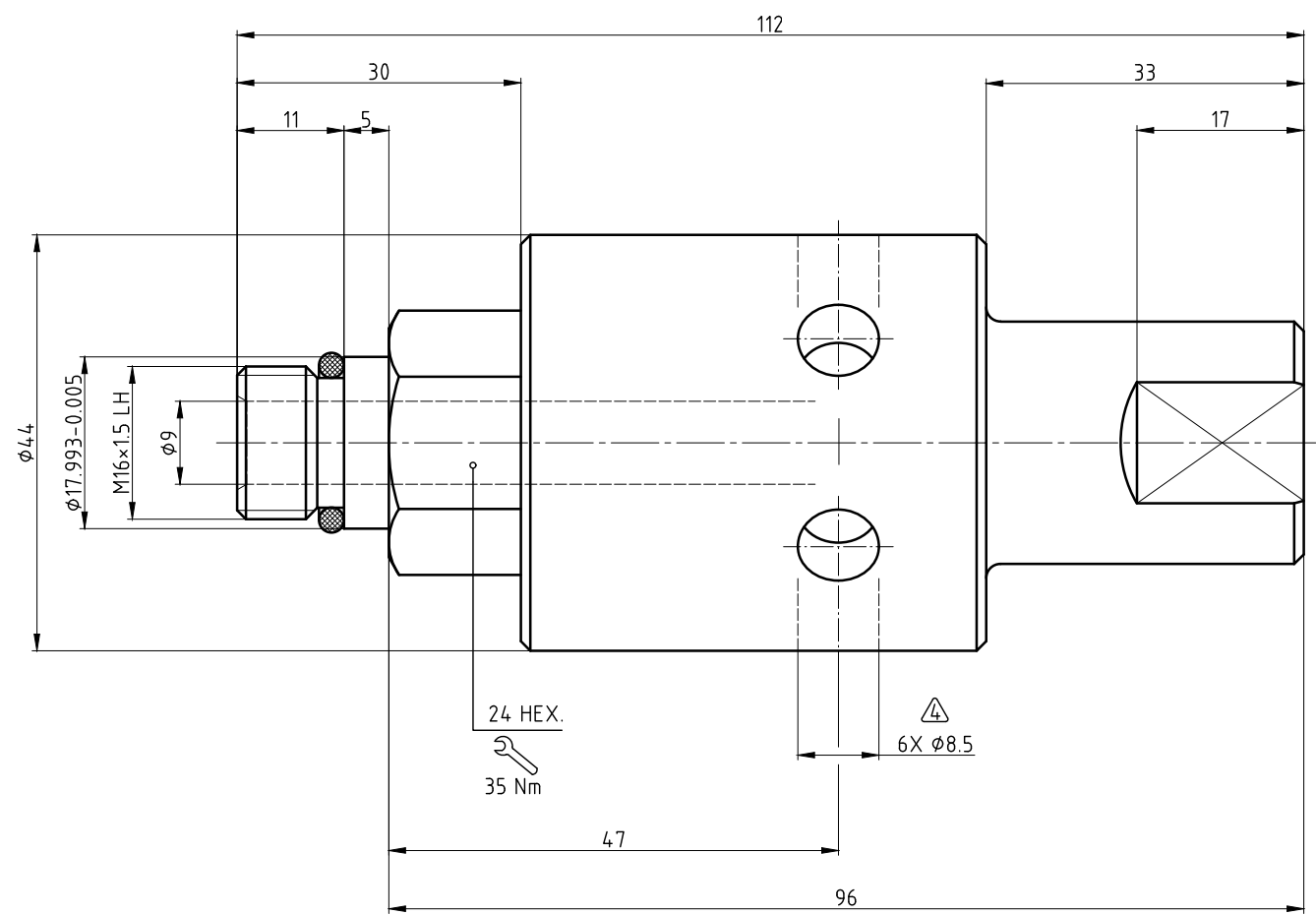
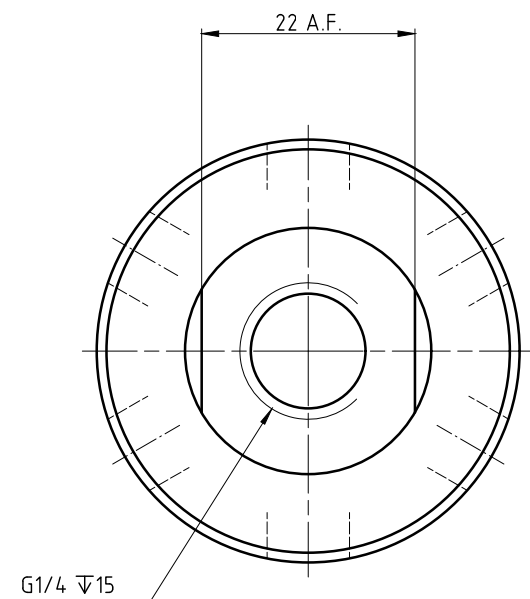
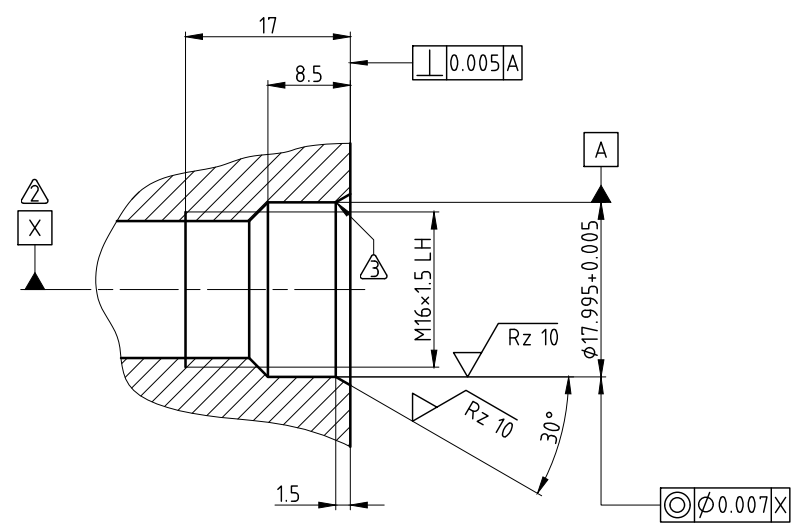


NOTES:

- 1 - USE INSTRUCTION MANUAL 040-554!
- SPINDLE BEARING ARRANGEMENT
- ROUNDED
- VENT



CUSTOMER'S INTERFACE



OPERATING DATA		
MEDIA	COOLANT	MQL
PRESSURE MAX.	70 bar	10 bar
SPEED MAX.	12000 min ⁻¹	12000 min ⁻¹
TEMPERATURE MAX.	70 °C	70 °C
FLOW RATE MAX.	82 l/min	2550 NI/min
DRY RUN	NO	

DEUBLIN
 Engineered for Performance

PROJECTION:

SCALE: 2:1

MATERIAL: INTERFACE CONTROL DRAWING

DATE	NAME	TITLE:
DRN. 19.04.2010	CW	DEUBLIN ROTATING UNION
ENGR. 19.04.2010	FD	DEUBLIN Drehdurchführung
APPD.		

NO. 1116-485-463

UNLESS SPECIFICALLY TOLERANCED, ALL DIMENSIONS ARE CONSIDERED REFERENCE

SHEET A2