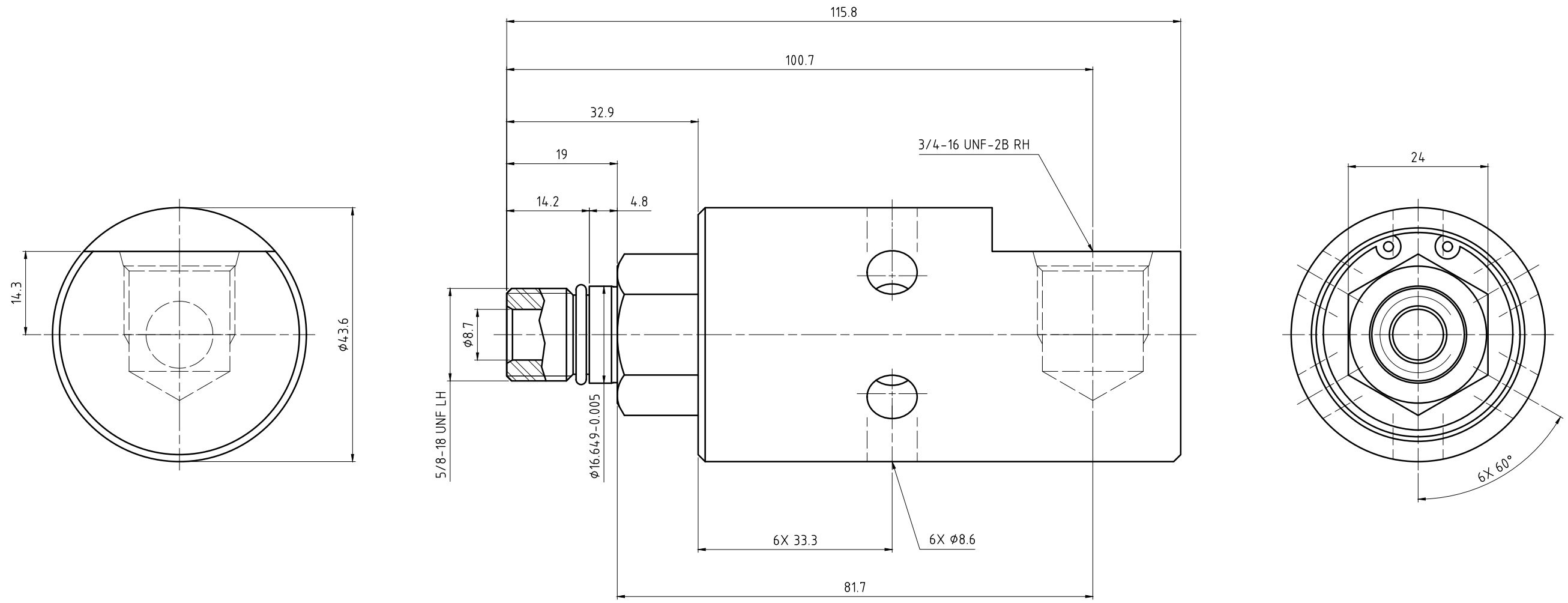


CONFIDENTIAL
 THIS DOCUMENT CONTAINS CONFIDENTIAL AND PROPRIETARY
 INFORMATION OF DEUBLIN COMPANY. COPYING, USE,
 TRANSMISSION, DISTRIBUTION, AND DISCLOSURE ARE SUBJECT
 TO THE TERMS AND CONDITIONS CONTAINED IN YOUR
 AGREEMENT WITH DEUBLIN COMPANY. ALL RIGHTS RESERVED.



OPERATING DATA		
MEDIA	COOLANT	
MAX COOLANT PRESSURE	1000 PSI	70 bar
MAX SPEED	5,000 RPM	5,000/min
MAX FLOW RATE	13.8 GPM	50 L/min
MAX TEMPERATURE	250°F	121°C

		PROJECTION:	SCALE: 2:1
		DATE: 08/31/06 NAME: N. Reyna	MATERIAL: INTERFACE CONTROL DRAWING
		ENGR: 08/31/06 NAME: S. Stasi	TITLE: DEUBLIN UNION
		APPD.	NO. 1116-539-059
A. UPDATED TO MS ISSUE MODIFICATION	012875 ECO	02/11 DATE	NR SIGN
UNLESS SPECIFICALLY TOLERANCED, ALL DIMENSIONS ARE CONSIDERED REFERENCE			SHEET A2