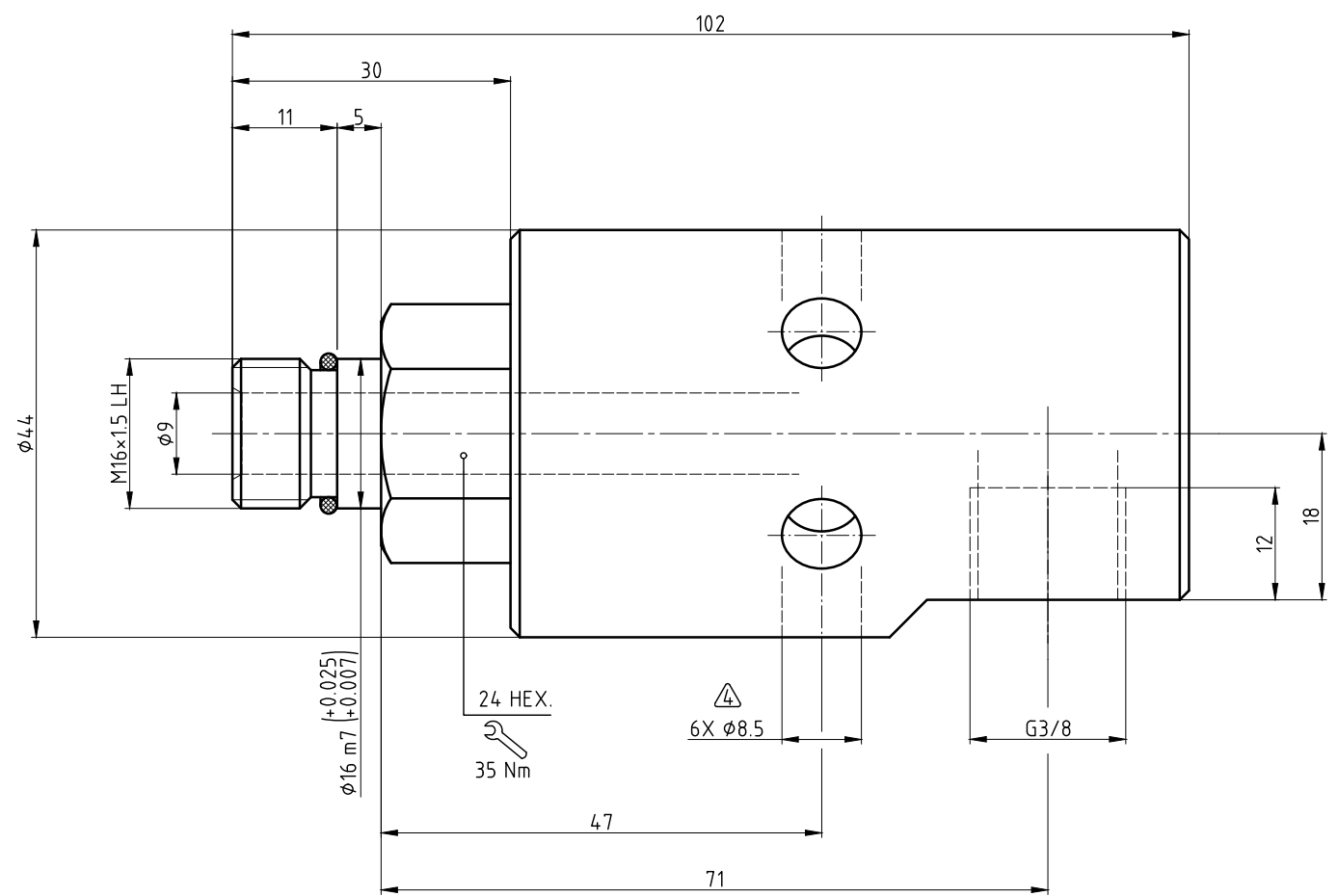
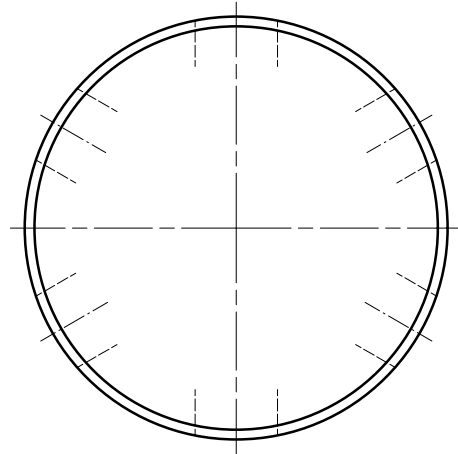


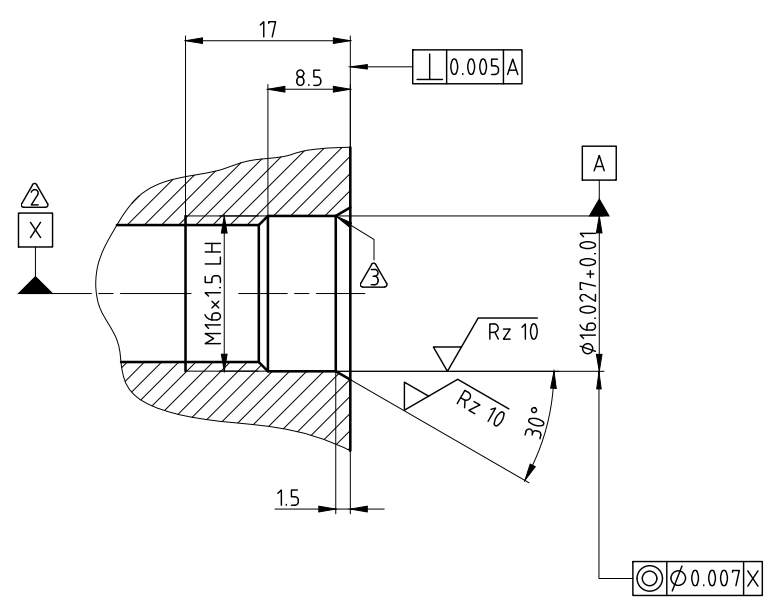
CONFIDENTIAL  
 THIS DOCUMENT CONTAINS CONFIDENTIAL AND PROPRIETARY  
 INFORMATION OF DEUBLIN COMPANY. COPYING, USE,  
 TRANSMISSION, DISTRIBUTION, AND DISCLOSURE ARE SUBJECT  
 TO THE TERMS AND CONDITIONS CONTAINED IN YOUR  
 AGREEMENT WITH DEUBLIN COMPANY. ALL RIGHTS RESERVED.

φ16	m7	+0.025	+0.025
Maß	Passung	-0.007	-0.007

- NOTES:
- 1 - USE INSTRUCTION MANUAL 040-554!
  - SPINDLE BEARING ARRANGEMENT
  - ROUNDED
  - VENT



CUSTOMER'S INTERFACE



OPERATING DATA		
MEDIA	COOLANT	MQL
PRESSURE MAX.	70 bar	10 bar
SPEED MAX.	12000 min <sup>-1</sup>	12000 min <sup>-1</sup>
TEMPERATURE MAX.	70 °C	70 °C
FLOW RATE MAX.	82 l/min	2550 NI/min
DRY RUN	NO	

**DEUBLIN**  
 Engineered for Performance

PROJECTION:

SCALE: 2:1

MATERIAL: INTERFACE CONTROL DRAWING

TITLE: DEUBLIN ROTATING UNION  
 DEUBLIN Drehdurchführung

NO. 1116-555-143

SHEET A2

DATE	NAME	DATE	NAME
DRN. 12/05/2007	NR	ENGR. 12/05/2007	TW
APPD.			

UNLESS SPECIFICALLY TOLERANCED, ALL DIMENSIONS ARE CONSIDERED REFERENCE

A	UPDATE TO MS	009514	04/10	CW
ISSUE	MODIFICATION	ECO	DATE	SIGN