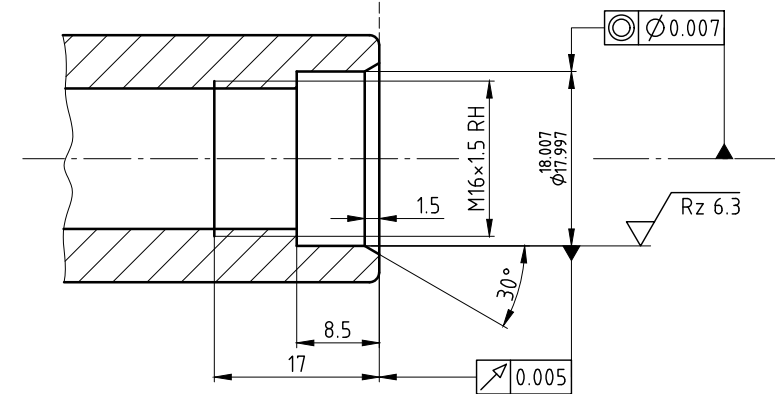
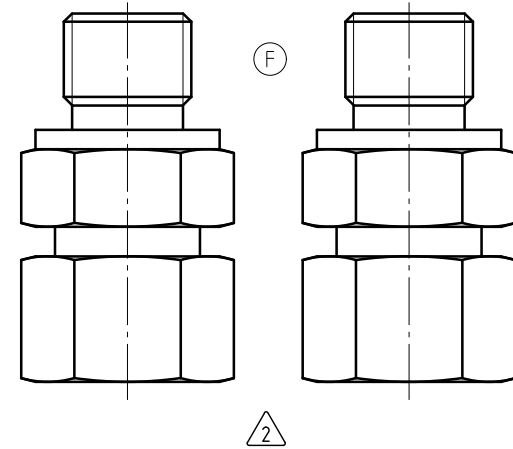
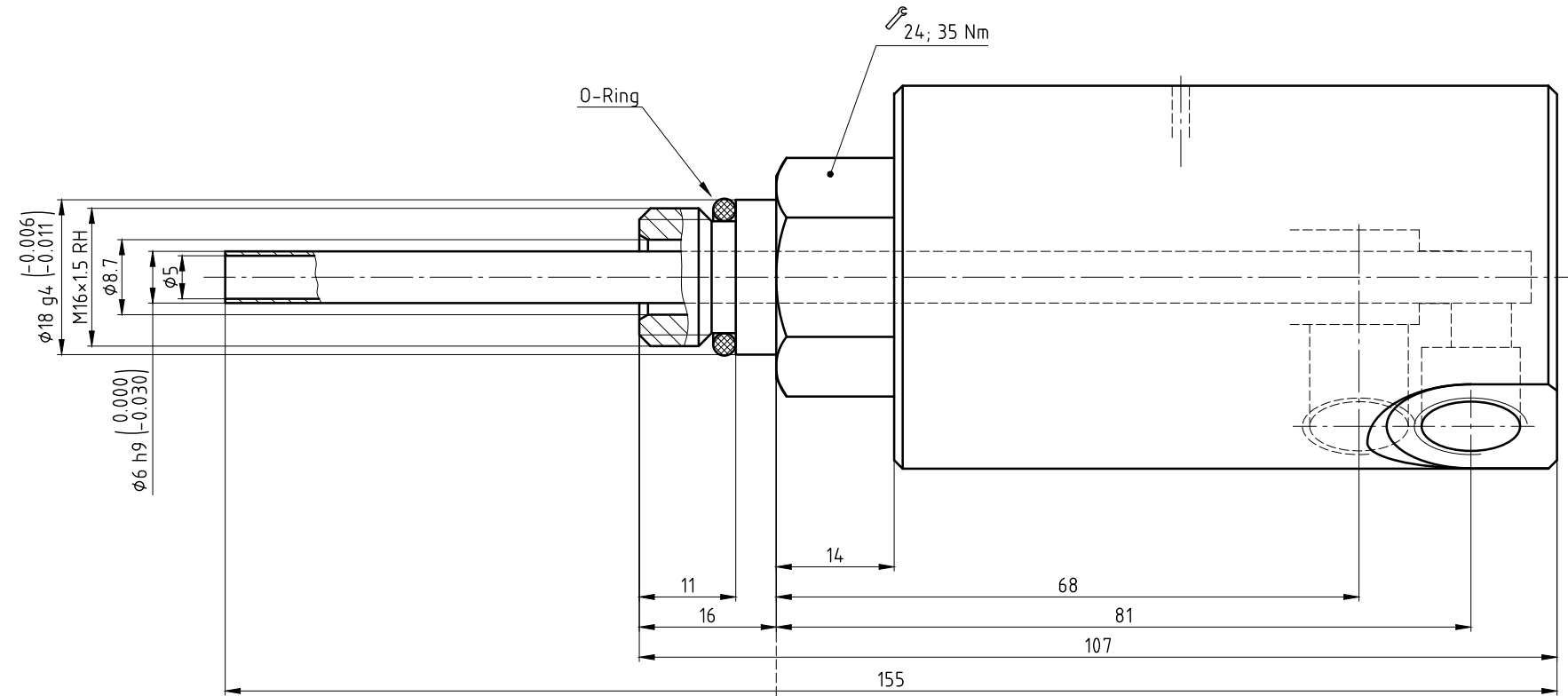
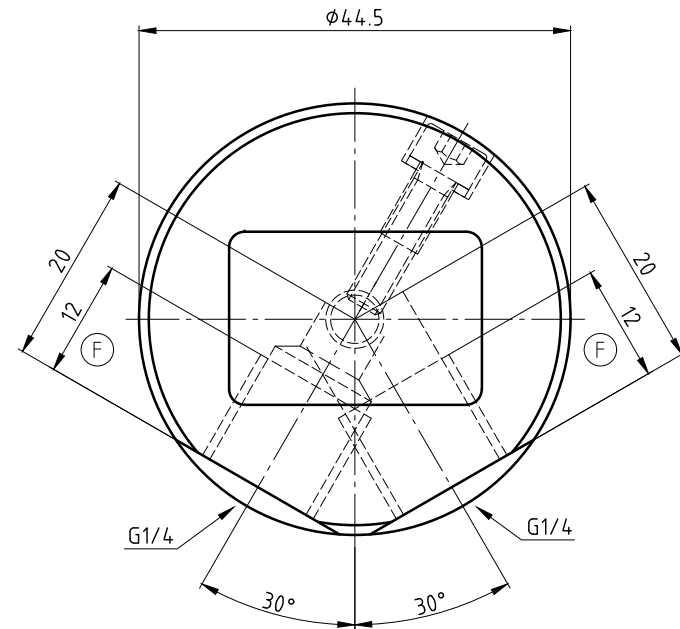


CONFIDENTIAL  
 THIS DOCUMENT CONTAINS CONFIDENTIAL AND PROPRIETARY INFORMATION OF DEUBLIN COMPANY. COPYING, USE, TRANSMISSION, DISTRIBUTION, AND DISCLOSURE ARE SUBJECT TO THE TERMS AND CONDITIONS CONTAINED IN YOUR AGREEMENT WITH DEUBLIN COMPANY. ALL RIGHTS RESERVED.

φ6	h9	0	6.000
		-0.030	5.970
φ18	q4	-0.006	17.994
		-0.011	17.983
Maß	Passung		

NOTES:

- 1 - CONTACT DEUBLIN OR VISIT WWW.DEUBLIN.COM FOR INSTRUCTION MANUAL: 040-552
- 2 - (2) ERMETO COUPLING INCLUDED WITH UNION UNASSEMBLED.



CUSTOMER INTERFACE

OPERATING DATA	
MEDIA	COOLANT
PRESSURE MAX.	10 bar
SPEED MAX.	10000 min <sup>-1</sup>
TEMPERATURE MAX.	70 °C
DRY RUN (WITHOUT ANY MEDIA)	NO



SCALE: 2:1  
 MATERIAL: INTERFACE CONTROL DRAWING

DATE	NAME	TITLE:
DRN. 31.10.2000	V. Wiege	DEUBLIN ROTATING UNION DEUBLIN Drehdurchführung
ENGR. 31.10.2000	Ch. Wolf	
APPD.		

NO.	DESCRIPTION	DATE	SIGN.
F	WAS 9 UPDATED TO MS	0324.10	03/15
ISSUE	MODIFICATION	ECO	DATE

UNLESS SPECIFICALLY TOLERANCED, ALL DIMENSIONS ARE CONSIDERED REFERENCE

NO. **1116-656-578658**

SHEET  
A2