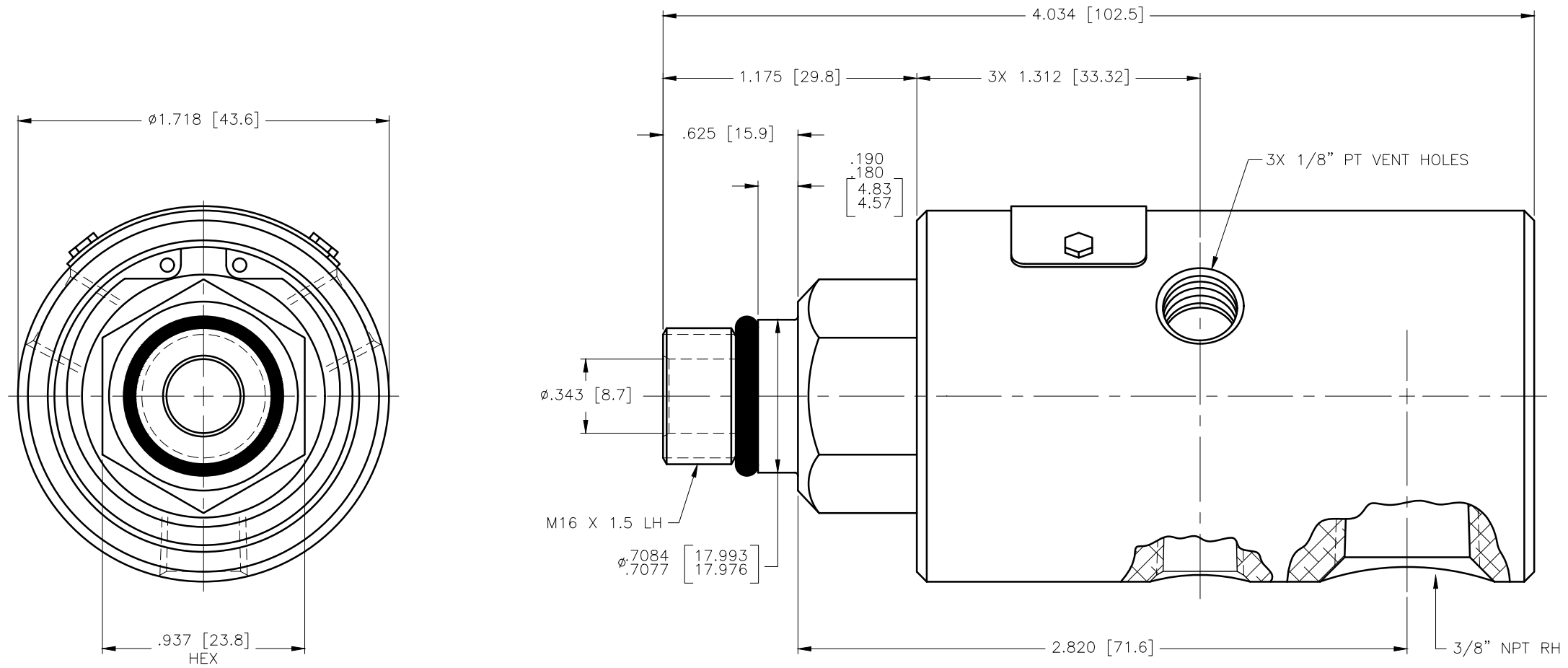


CONFIDENTIAL
 THIS DOCUMENT CONTAINS CONFIDENTIAL AND PROPRIETARY INFORMATION OF DEUBLIN COMPANY. COPYING, USE, TRANSMISSION, DISTRIBUTION, AND DISCLOSURE ARE SUBJECT TO THE TERMS AND CONDITIONS CONTAINED IN YOUR AGREEMENT WITH DEUBLIN COMPANY. ALL RIGHTS RESERVED.

NOTES:

- 1 - OPERATION AT MAXIMUM PRESSURE COMBINED WITH MAXIMUM SPEED SHOULD BE AVOIDED. IF OPERATING CONDITIONS ARE MARGINAL, PLEASE CONSULT DEUBLIN ENGINEERING.
- 2 - RECOMMENDED FILTRATION IS 25 MICRONS.
- 3 - DO NOT RUN DRY.



OPERATING DATA		
MEDIA	COOLANT	
MAX COOLANT PRESSURE	1000 PSI	70 bar
MAX SPEED	10,000 RPM	10,000/min
MAX FLOW RATE	13.8 GPM	50 L/min
MAX TEMPERATURE	160°F	71°C

Ⓐ

SCALE	2.5:1	DWG SIZE	
DRN	RM	09/13/06	
ENGR	ARS	09/13/06	
APPD	ARS	09/13/06	
PART NO.	1116-670-463		
CUSTOMER			
LET.	REVISION	ECO	DATE SIGN
A	REVISED OPERATING DATA	003935	11/08 NR

UNLESS SPECIFICALLY TOLERANCED, ALL DIMENSIONS ARE REFERENCE DIMENSIONS IN [] ARE IN MILLIMETERS.

DEUBLIN COMPANY
 WAUKEGAN, ILLINOIS, U.S.A.

TITLE: INTERFACE CONTROL
 DRAWING OF DEUBLIN
 UNION 1116-670-463

DWG NO. 1116-670-463
 C.A.D. DRAWING