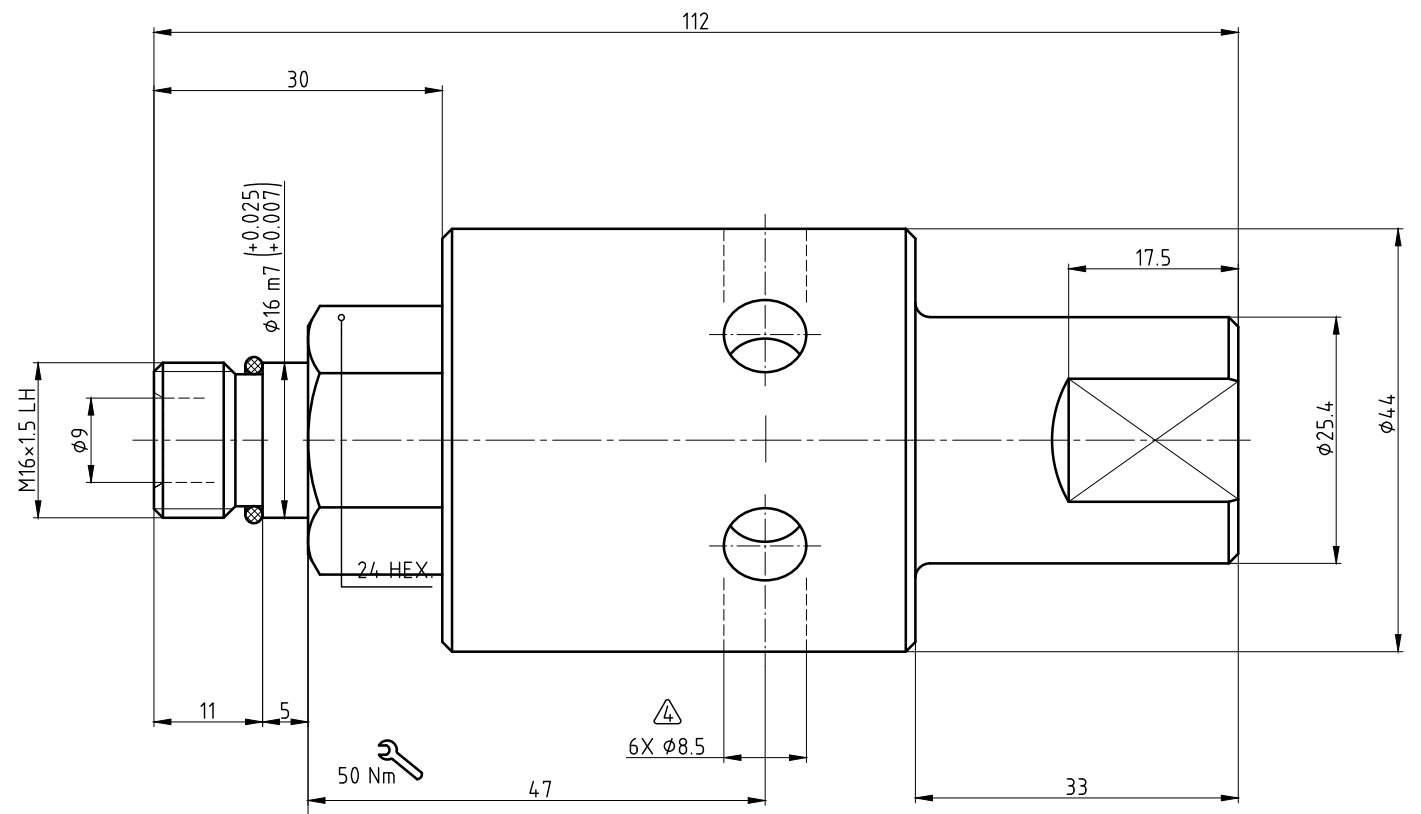
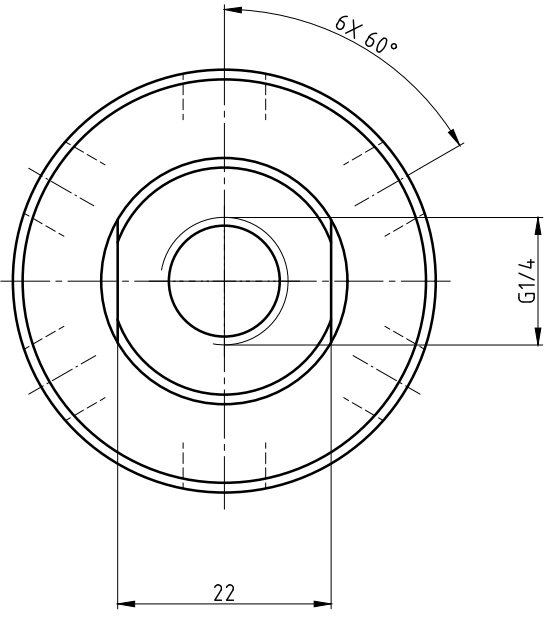


CONFIDENTIAL  
 THIS DOCUMENT CONTAINS CONFIDENTIAL AND PROPRIETARY INFORMATION OF DEUBLIN COMPANY. COPYING, USE, TRANSMISSION, DISTRIBUTION, AND DISCLOSURE ARE SUBJECT TO THE TERMS AND CONDITIONS CONTAINED IN YOUR AGREEMENT WITH DEUBLIN COMPANY. ALL RIGHTS RESERVED.

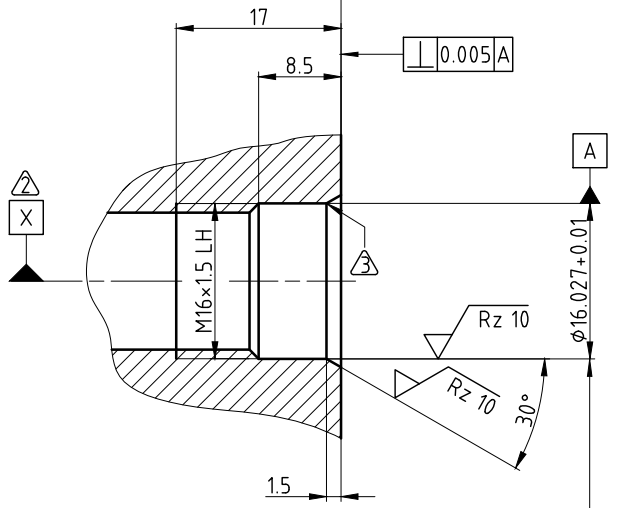
φ16	m7	+0.025 -0.007	16.025 16.007
Maß	Passung		

NOTES:

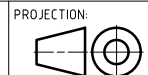
- 1 - USE INSTRUCTION MANUAL 040-552!
- SPINDLE BEARING ARRANGEMENT
- ROUNDED
- VENT



CUSTOMER'S INTERFACE



OPERATING DATA		
MEDIA	COOLANT	MQL
PRESSURE MAX.	70 bar	10 bar
SPEED MAX.	12000 min <sup>-1</sup>	12000 min <sup>-1</sup>
TEMPERATURE MAX.	70 °C	70 °C
FLOW RATE MAX.	82 l/min	2550 Nl/min
DRY RUN	NO	



PROJECTION: SCALE: 2:1  
 MATERIAL: INTERFACE CONTROL DRAWING

ISSUE	MODIFICATION	ECO	DATE	SIGN

DATE	NAME
DRN. 20.10.2010	HJH
ENGR. 20.10.2010	HS
APPD.	

TITLE: **DEUBLIN ROTATING UNION**  
**DEUBLIN Drehdurchführung**  
 NO. **1116-680-143**

SHEET  
A2

UNLESS SPECIFICALLY TOLERANCED, ALL DIMENSIONS ARE CONSIDERED REFERENCE