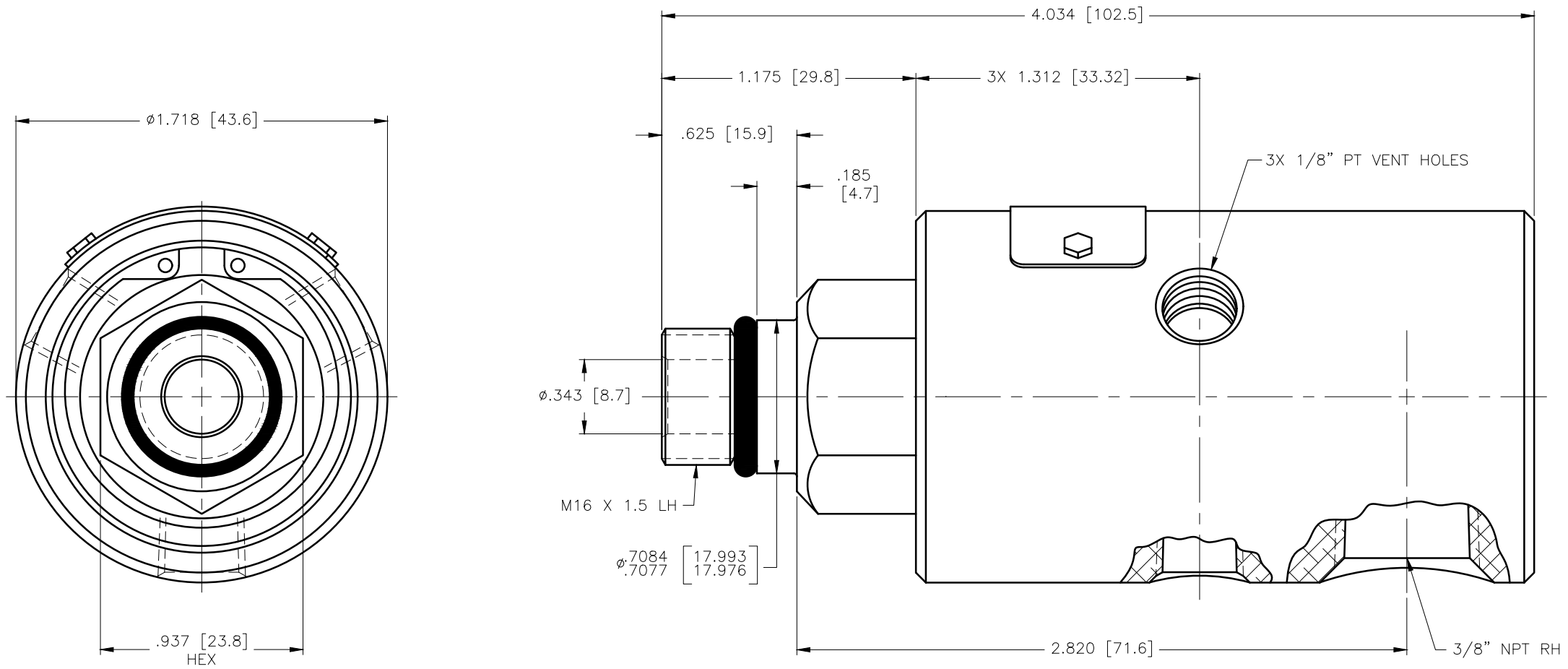


NOTES:

- 1 - OPERATION AT MAXIMUM PRESSURE COMBINED WITH MAXIMUM SPEED SHOULD BE AVOIDED. IF OPERATING CONDITIONS ARE MARGINAL, PLEASE CONSULT DEUBLIN ENGINEERING.
- 2 - RECOMMENDED FILTRATION IS 25 MICRONS.
- 3 - DO NOT RUN DRY.

CONFIDENTIAL
 THIS DOCUMENT CONTAINS CONFIDENTIAL AND PROPRIETARY INFORMATION OF DEUBLIN COMPANY. COPYING, USE, TRANSMISSION, DISTRIBUTION, AND DISCLOSURE ARE SUBJECT TO THE TERMS AND CONDITIONS CONTAINED IN YOUR AGREEMENT WITH DEUBLIN COMPANY. ALL RIGHTS RESERVED.



OPERATING DATA		
MEDIA	COOLANT	
MAX COOLANT PRESSURE	1000 PSI	70 bar
MAX SPEED	10,000 RPM	10,000/min
MAX FLOW RATE	13.8 GPM	50 L/min
MAX TEMPERATURE	160°F	71°C

SCALE	2.5:1	DWG SIZE		UNLESS SPECIFICALLY TOLERANCED, ALL DIMENSIONS ARE REFERENCE	DEUBLIN COMPANY WAUKEGAN, ILLINOIS, U.S.A.
DRN	NR	11/15/08			
ENGR	RM	11/15/08			
APPD	RM	11/15/08			
PART NO.	1116-699-463			DIMENSIONS IN [] ARE IN MILLIMETERS.	TITLE: INTERFACE CONTROL DRAWING OF DEUBLIN UNION 1116-699-463
CUSTOMER					
A	REVISED OPERATING DATA	003935	11/08	NR	DWG NO. 1116-699-463
LET.	REVISION	ECO	DATE	SIGN	C.A.D. DRAWING