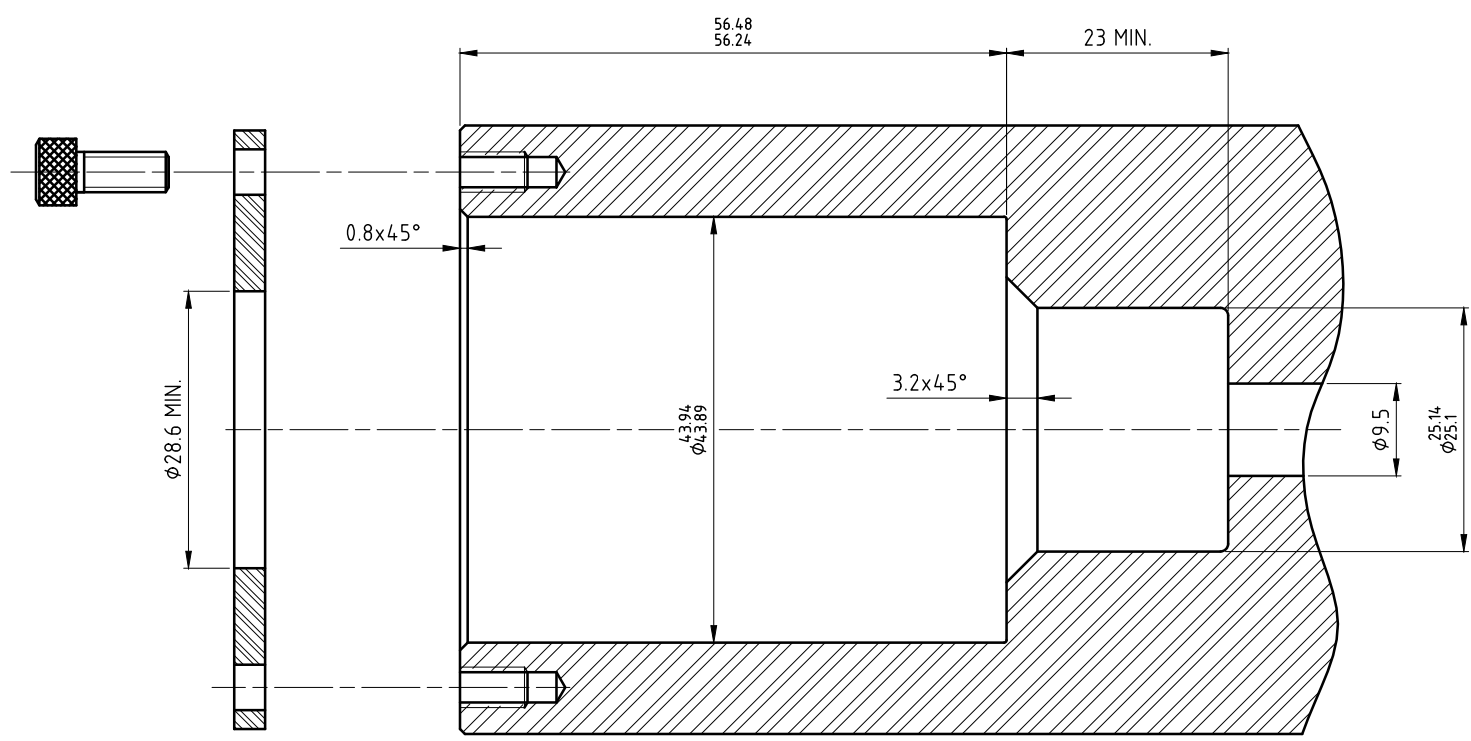
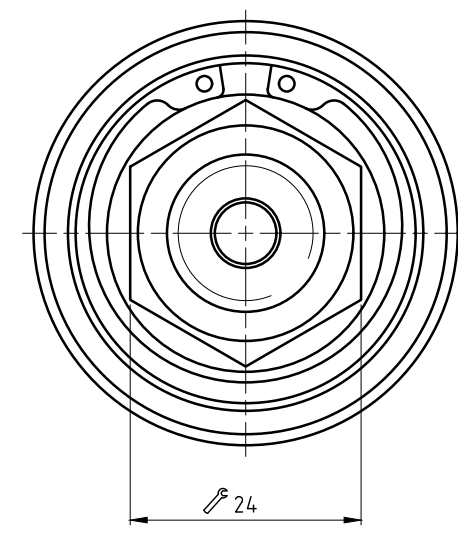
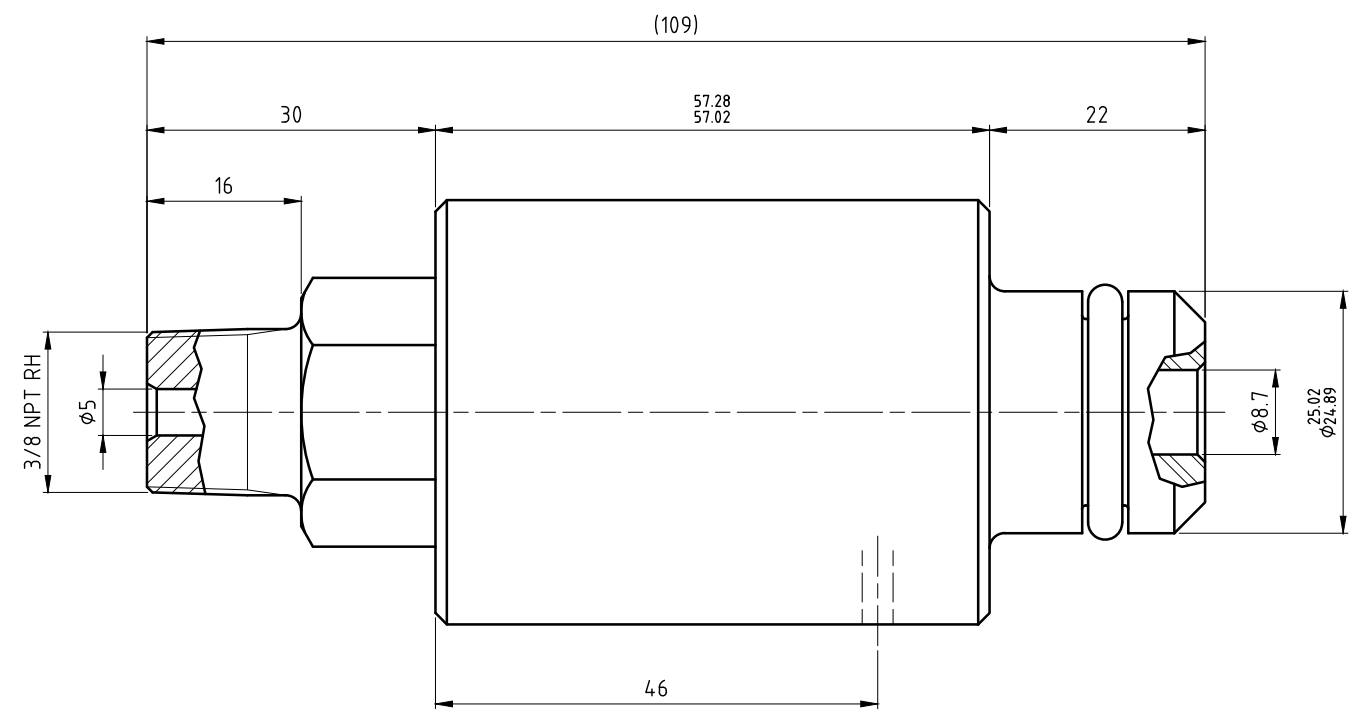
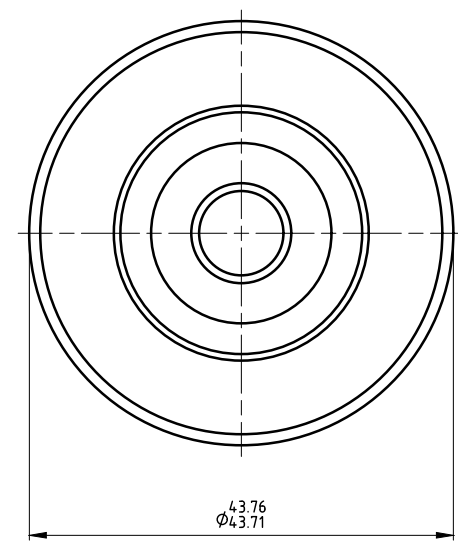


CONFIDENTIAL
 THIS DOCUMENT CONTAINS CONFIDENTIAL AND PROPRIETARY
 INFORMATION OF DEUBLIN COMPANY. COPYING, USE,
 TRANSMISSION, DISTRIBUTION, AND DISCLOSURE ARE SUBJECT
 TO THE TERMS AND CONDITIONS CONTAINED IN YOUR
 AGREEMENT WITH DEUBLIN COMPANY. ALL RIGHTS RESERVED.



OPERATING DATA		
MEDIA	HYDRAULIC	
MAX PRESSURE	1000 PSI	70 bar
MAX SPEED	3500 RPM	3500/min
MAX TEMPERATURE	250°F	121°C

CUSTOMER SHAFT DETAIL



PROJECTION:		SCALE: 2:1			
MATERIAL:	INTERFACE CONTROL DRAWING				
DATE	NAME	TITLE:			
DRN. 04/28/14	N. Reyna	DEUBLIN UNION			
ENGR. 04/28/14	S. Stasi				
APPD.					
UNLESS SPECIFICALLY TOLERANCED, ALL DIMENSIONS ARE CONSIDERED REFERENCE		NO. 1116-900-906			
ISSUE	MODIFICATION	ECO	DATE	SIGN	SHEET A2