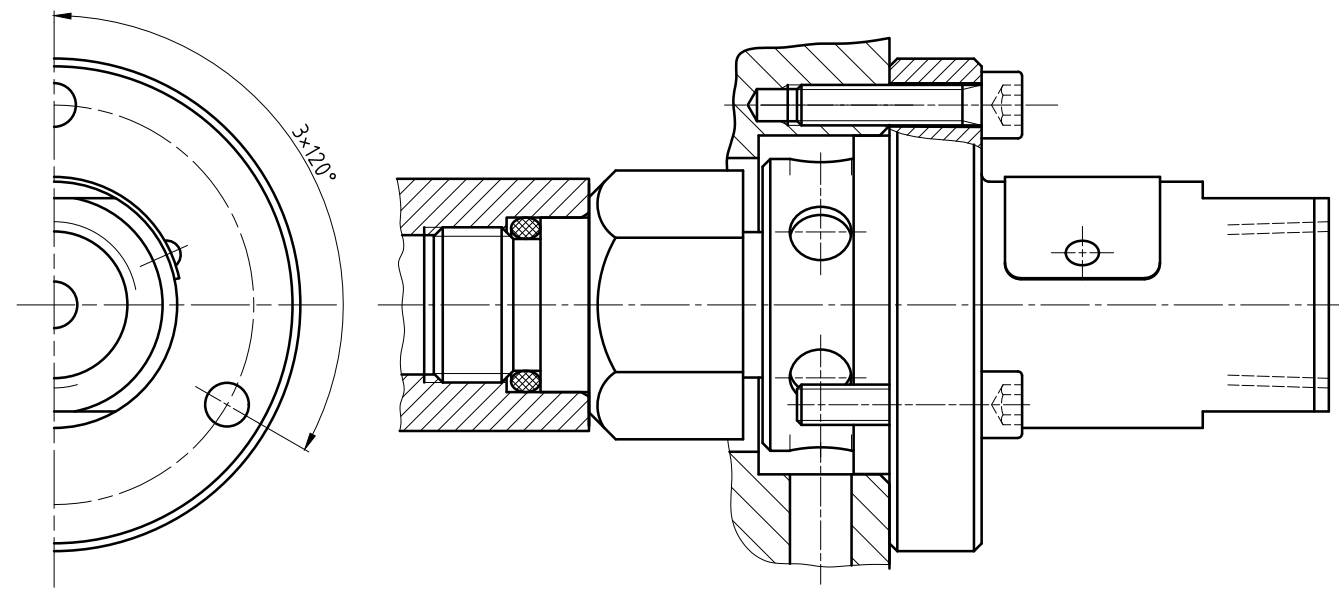
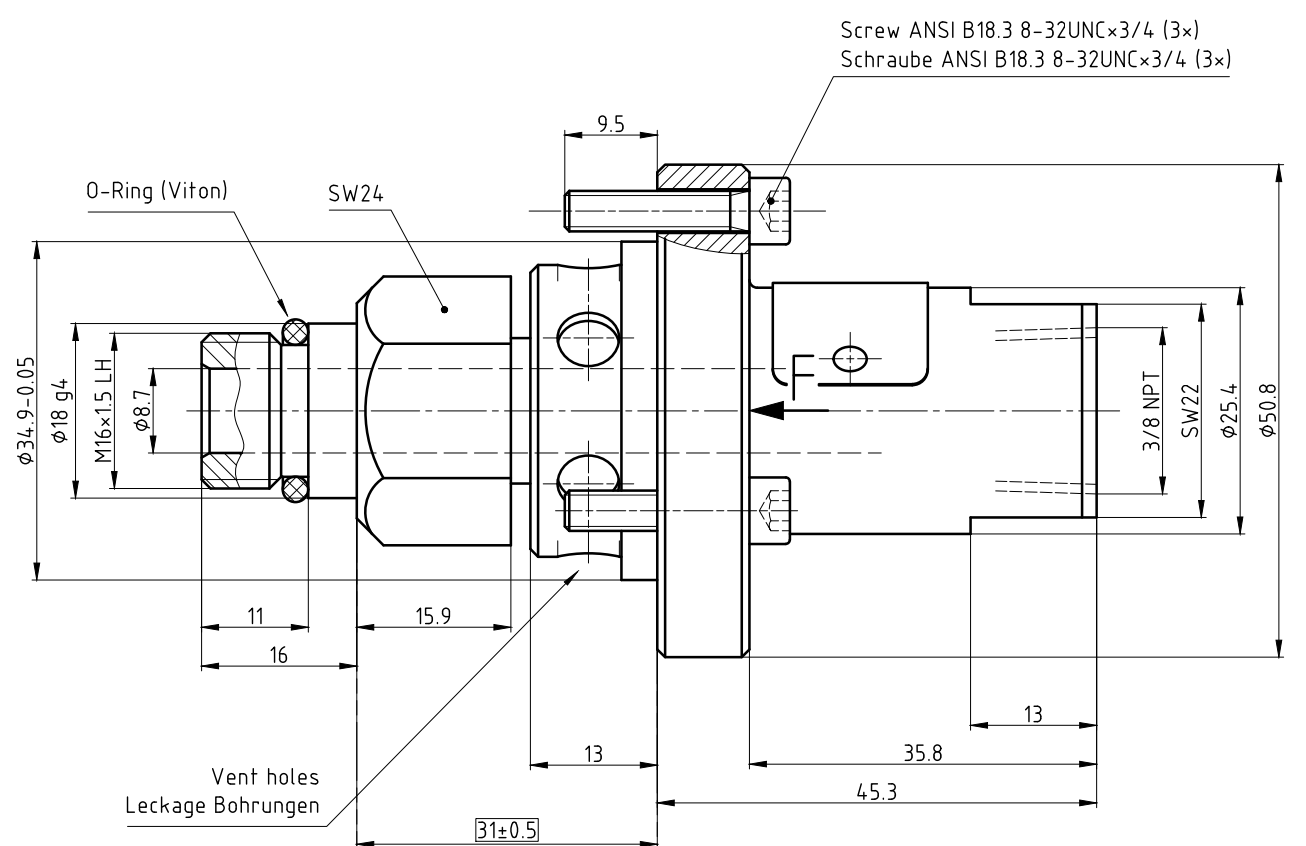


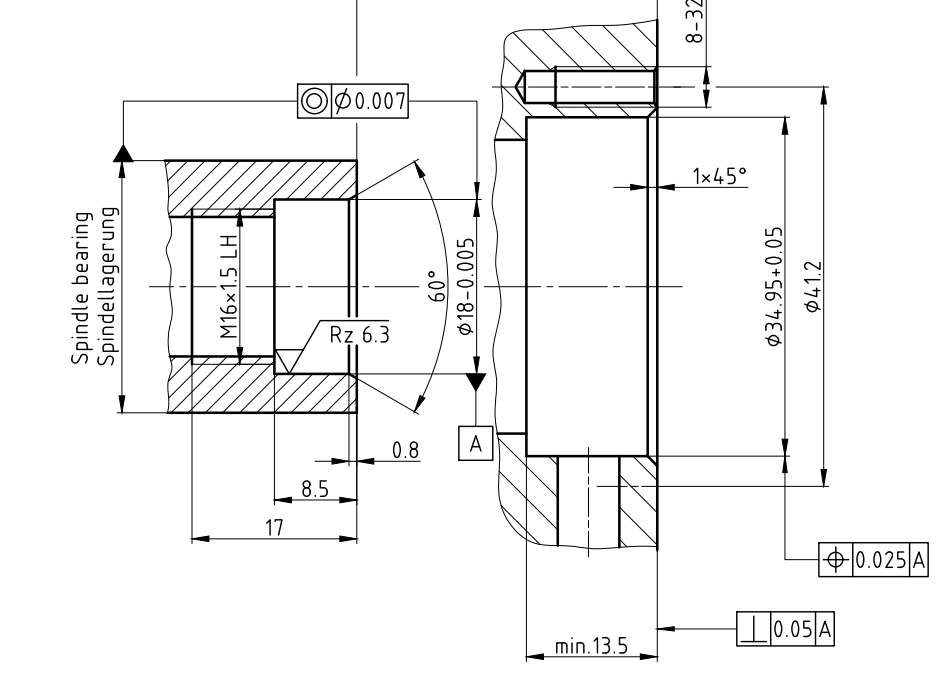
$\phi 18$ g4 -0.006 -0.011 17.994 17.989
 Maß Toleranz

CONFIDENTIAL
 THIS DOCUMENT CONTAINS CONFIDENTIAL AND PROPRIETARY
 INFORMATION OF DEUBLIN COMPANY. COPYING, USE,
 TRANSMISSION, DISTRIBUTION, AND DISCLOSURE ARE SUBJECT
 TO THE TERMS AND CONDITIONS CONTAINED IN YOUR
 AGREEMENT WITH DEUBLIN COMPANY. ALL RIGHTS RESERVED.

Bearingless Union, Installed
 Dichtungssatz, eingebaut



Customer's Interface
 Schnittstelle des Kunden



ATTENTION !
 OBSERVE THE AXIAL SPINDLE LOAD, RESULTING FROM
 THE ACTIVE PRESSURE LOADED AREA AND THE MEDIA
 SUPPLY PRESSURE !
 THE RISE OF FORCE AMOUNTS 1.27 N/bar.
Achtung!
 Die aus der hydraulisch aktiven Fläche und dem
 jeweiligen Druck resultierende Axialbelastung der
 Spindel beachten !
 Der Anstieg der Axialkraft beträgt 1.27 N/bar.

OPERATING DATA / Betriebsdaten		
MEDIA/Medium	COOLANT	KSS
p max.	2000 PSI	140 bar
Q max.	13.2 GPM	50 l/min
n max.	20000 RPM	20000 1/min
t max.	250 °F	120 °C
FILTRATION/Filterung	60 µm	60 µm

DEUBLIN GmbH D-65719 HOFHEIM-WALLAU, GERMANY		PROJECTION: 	SCALE: 2:1 Z:\BUNIONS\
DATE: 15.04.2002 NAME: V. Wiege ENGR. 15.04.2002 Ch. Wolf APPD.		TITLE: DEUBLIN BEARINGLESS UNION DEUBLIN Dichtungssatz	
NO. 1117-002-116-DD		SHEET A2	

UNLESS SPECIFICALLY TOLERANCED, ALL
 DIMENSIONS ARE CONSIDERED REFERENCE