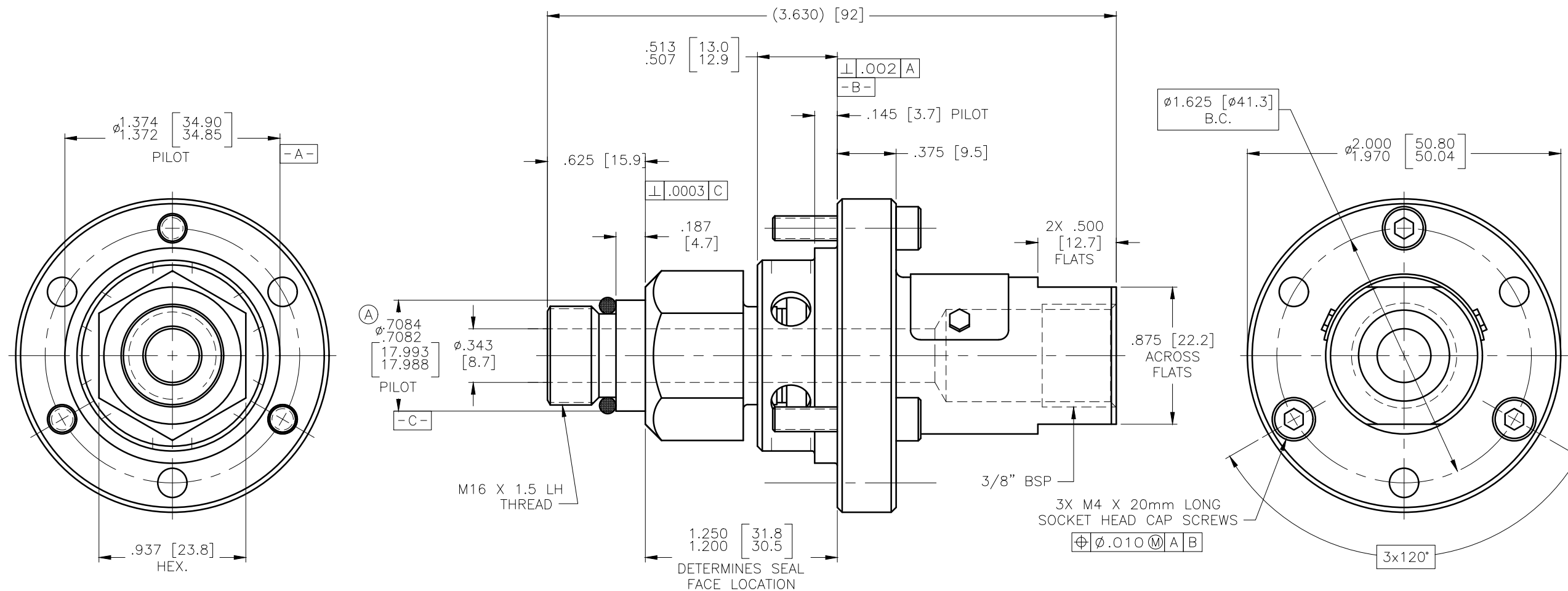


NOTES:

1 - WHEN ORDERING FROM DEUBLIN USE PART NUMBER: 1117-058-116.

1117-058-116-IC



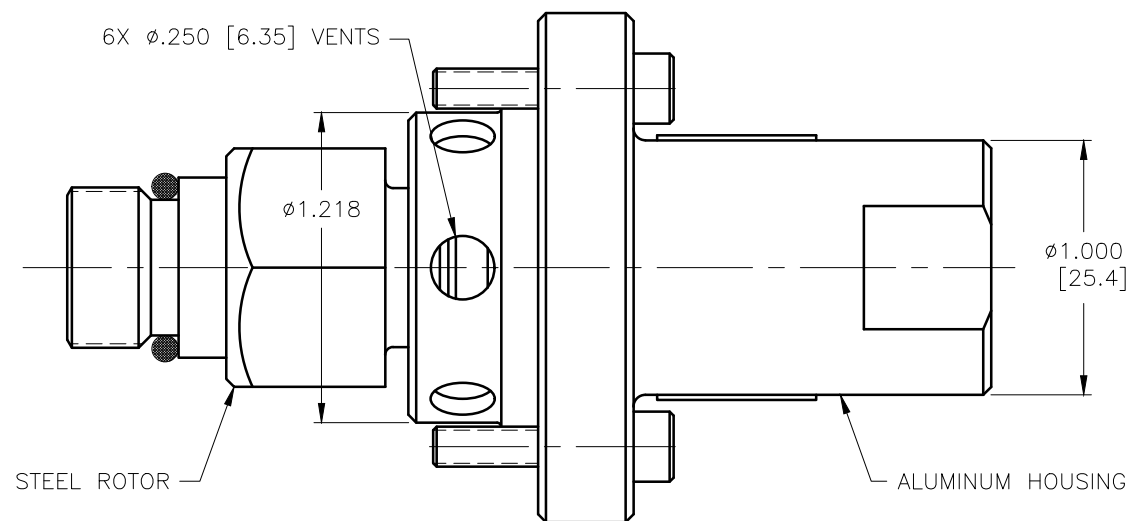
OPERATING DATA:

COOLANT SERVICE

- (A) 2030 PSI MAX. PRESSURE
- (A) 30,000 RPM MAX. SPEED
- 160°F MAX. TEMPERATURE
- (A) 21.6 GPM MAX. FLOW

****NOTE****

FOR EVERY 100 PSI OF COOLANT PRESSURE, APPROXIMATELY 20 LBS. OF FORCE IS EXERTED ON THE UNION SIDE OF THE SPINDLE.



CONFIDENTIAL
THIS DOCUMENT CONTAINS CONFIDENTIAL AND PROPRIETARY INFORMATION OF DEUBLIN COMPANY. COPYING, USE, TRANSMISSION, DISTRIBUTION, AND DISCLOSURE ARE SUBJECT TO THE TERMS AND CONDITIONS CONTAINED IN YOUR AGREEMENT WITH DEUBLIN COMPANY. ALL RIGHTS RESERVED.

EQUIPMENT REF:				SCALE	DWG SIZE	C
				DRN	LG	09/08/03
				ENGR		
				APPD		
ASSY/TEST FIXTURES REQUIRED:				UNLESS OTHERWISE SPECIFIED TOLERANCES $\pm .010$. DIMENSIONS IN [] ARE IN MILLIMETERS.		
A	REVISED OP. DATA AND DIM. WAS 02.7084/2077 [17.993/17.976]	8282	05/07	NR	TITLE: INTERFACE CONTROL DRAWING FOR UNION 1117-058-116	
LET.	REVISION	ECO	DATE	SIGN	NO. 1117-058-116-IC C.A.D DRAWING	

