

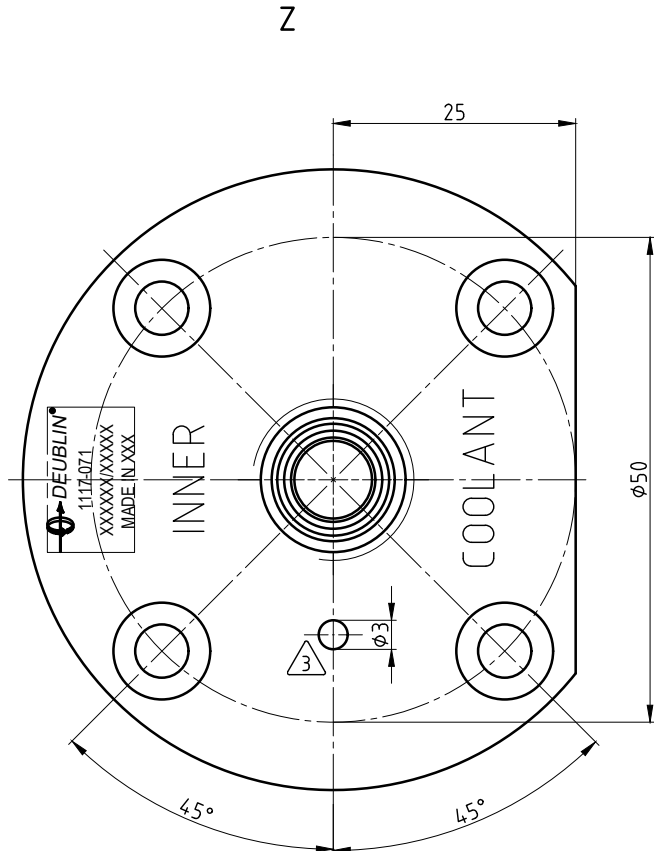
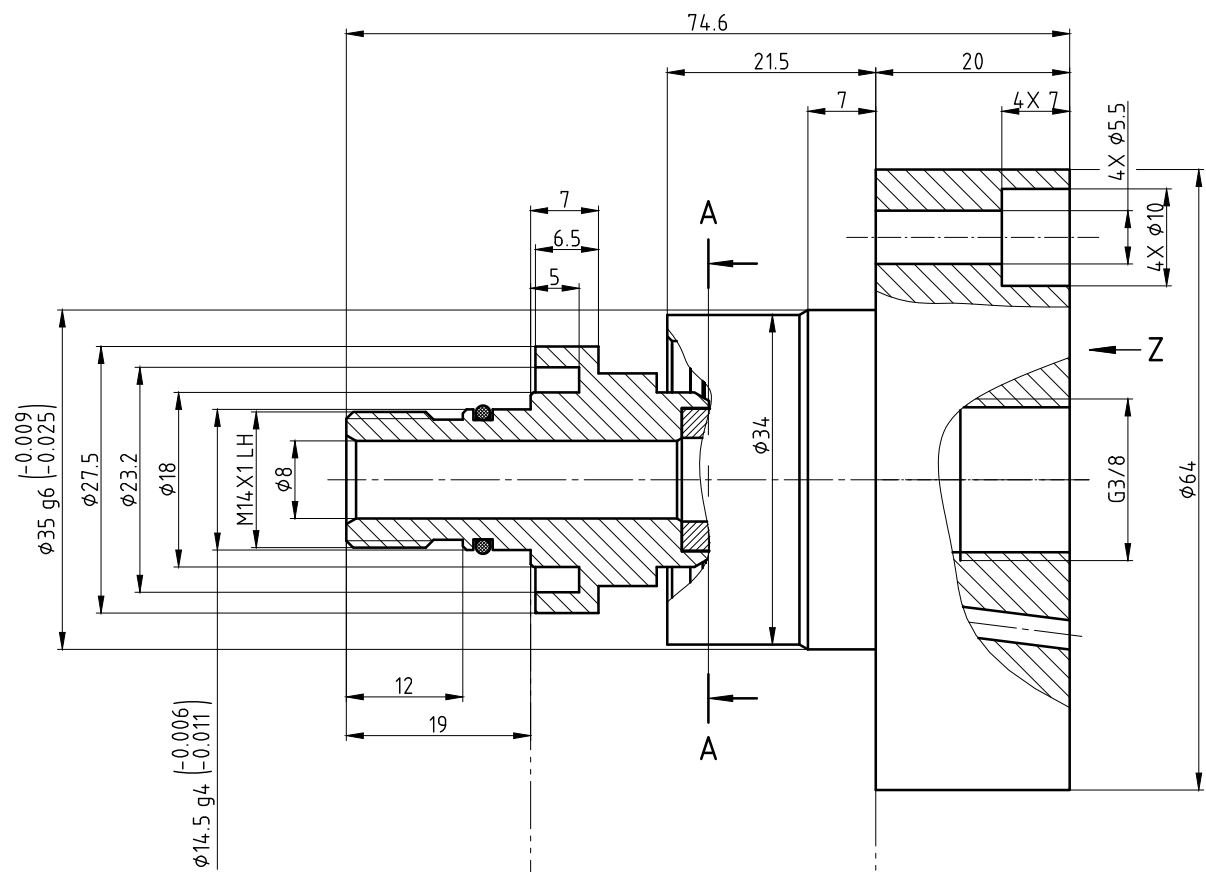
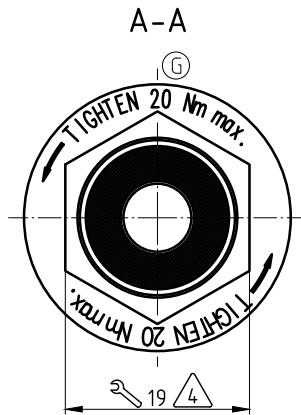
CONFIDENTIAL  
 THIS DOCUMENT CONTAINS CONFIDENTIAL AND PROPRIETARY INFORMATION OF DEUBLIN COMPANY. COPYING, USE, TRANSMISSION, DISTRIBUTION, AND DISCLOSURE ARE SUBJECT TO THE TERMS AND CONDITIONS CONTAINED IN YOUR AGREEMENT WITH DEUBLIN COMPANY. ALL RIGHTS RESERVED.

φ35	q6	-0.009	34.991
		-0.025	34.975
φ35	H7	+0.025	35.025
		0.009	35.009
φ14.5	q4	-0.006	14.494
		-0.011	14.489
φ14.5	H5	+0.008	14.508
		0.000	14.500
Maß	Passung		

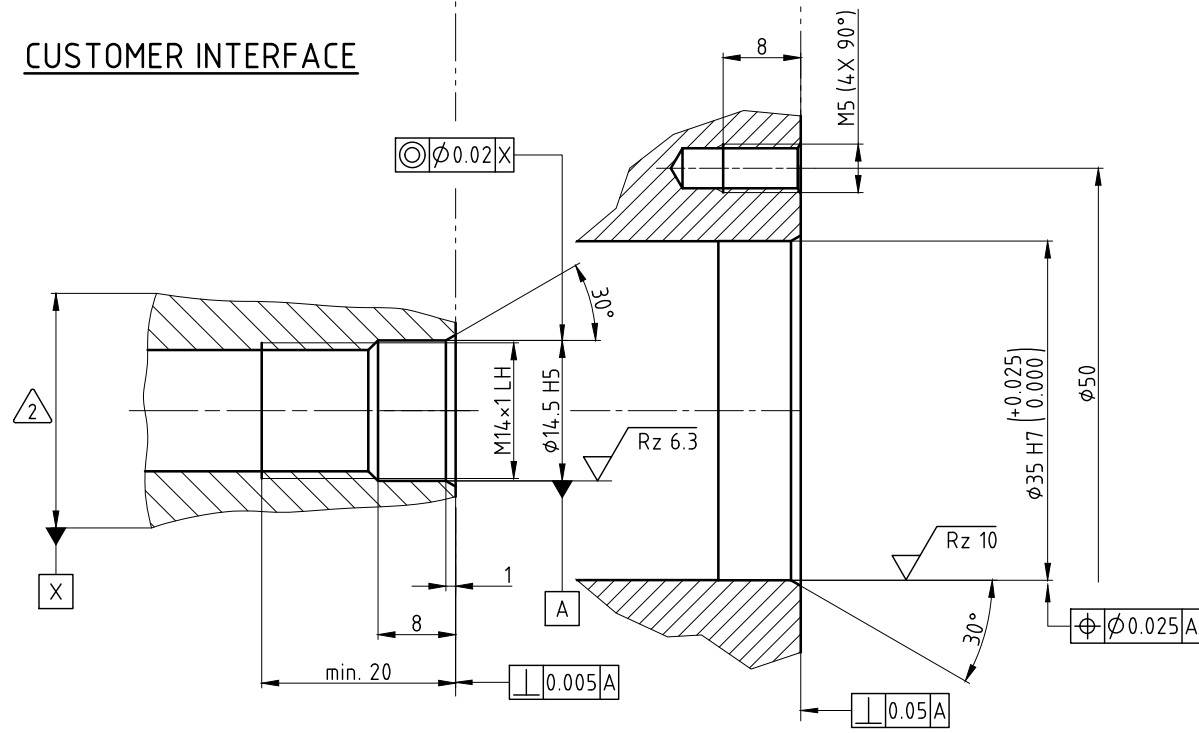
NOTES:

1 - CONTACT DEUBLIN OR VISIT WWW.DEUBLIN.COM FOR INSTRUCTION MANUAL: 040-552.

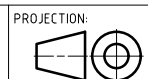
- ② - SPINDLE BEARING ARRANGEMENT.
- ③ - VENT HOLE
- ④ - MAX. TIGHTENING TORQUE: 20 Nm.



CUSTOMER INTERFACE



OPERATING DATA		
MEDIA	COOLANT	MQL
MAX. PRESSURE	④ 150 bar	10 bar
MAX. SPEED	30000 min <sup>-1</sup>	30000 min <sup>-1</sup>
MAX. TEMPERATURE	70 °C	70 °C
MAX. FLOW RATE	82 l/min	1133 NI/min
MAX. AXIAL FORCE	1905 N ④	127 N
RISING OF AXIAL FORCE	12.7 N/bar	12.7 N/bar
DRY RUN	NO	



PROJECTION: SCALE: 2:1  
 MATERIAL: INTERFACE CONTROL DRAWING

DATE	NAME	TITLE
DRN. 04.04.2007	H.-J. Huhn	DEUBLIN BEARINGLESS UNION DEUBLIN Dichtungssatz
ENGR. 23.05.2007	H. Schmid	
APPD.		

NO. 1117-071

ISSUE	MODIFICATION	ECO	DATE	DATE	SIGN
G	WAS 141 bar / 5 Nm	054239	11/19	MKI	

UNLESS SPECIFICALLY TOLERANCED, ALL DIMENSIONS ARE CONSIDERED REFERENCE

SHEET A2