

NOTES:

1 - CONTACT DEUBLIN OR VISIT WWW.DEUBLIN.COM FOR INSTRUCTION MANUAL: 040-552

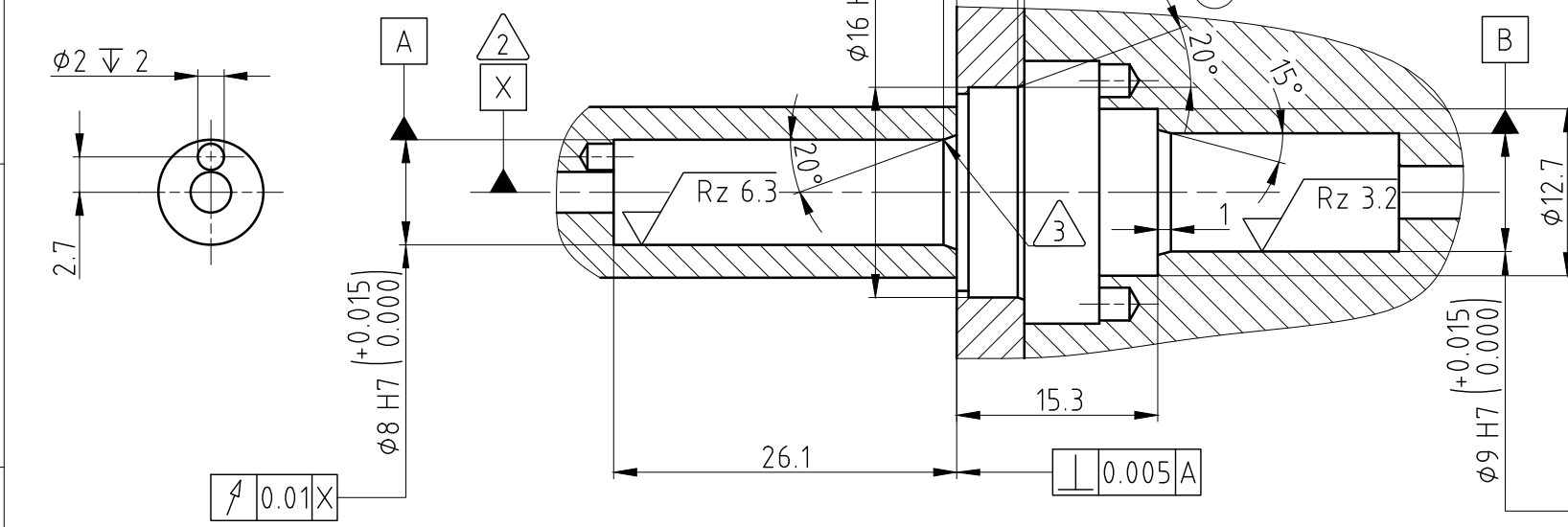
2 - SPINDLE BEARING ARRANGEMENT.

3 - ROUNDED.

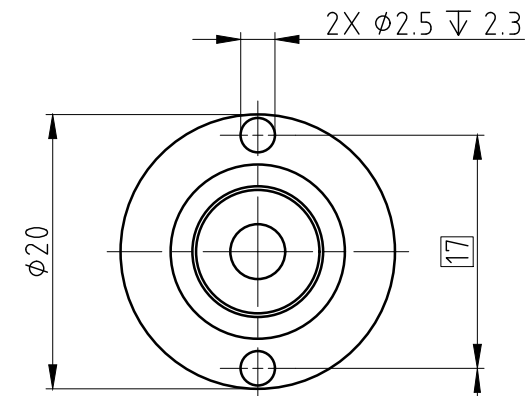
4 - (2) PINS  $\phi 2.5 \times 7$  SUPPLIED BY CUSTOMER.

5 - (1) SHAFT SEAL SUPPLIED BY CUSTOMER.

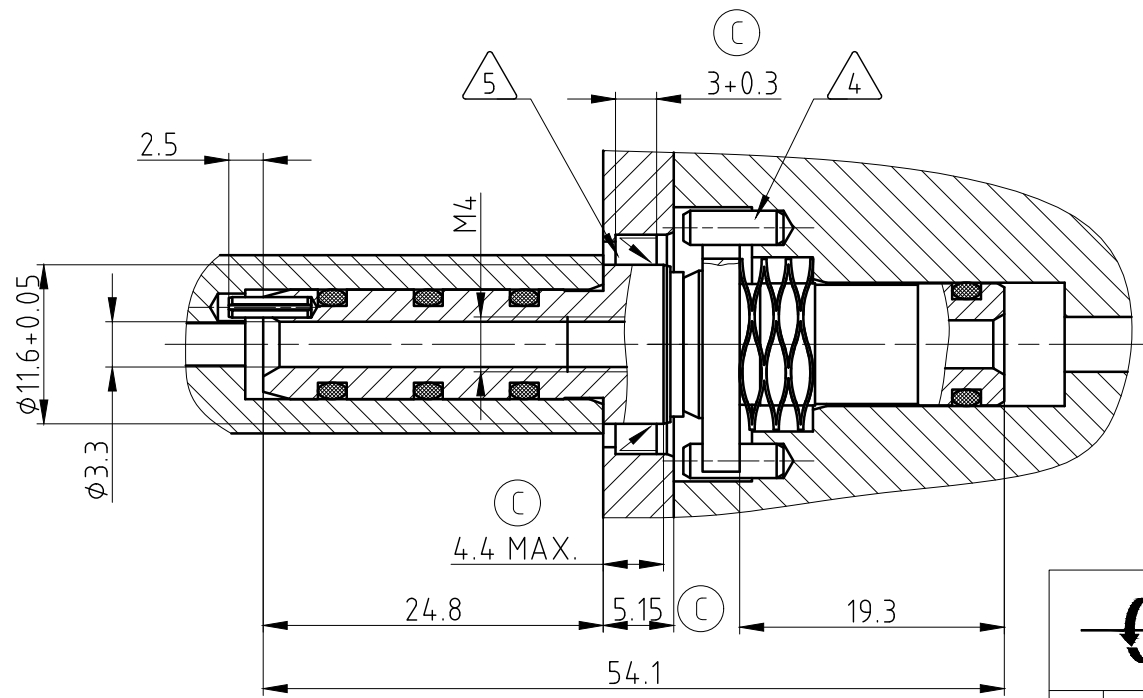
(A) (B) (C) (D)



CUSTOMER INTERFACE



OPERATING DATA	
MEDIA	DI-WATER
PRESSURE MAX.	110 bar
SPEED MAX.	1000 min <sup>-1</sup>
TEMPERATURE MAX.	70 °C
AXIAL FORCE MAX.	700 N
RAISE OF AXIAL FORCE	6.36 N/bar
DRY RUN	NO



BEARINGLESS UNION, INSTALLED

CONFIDENTIAL  
THIS DOCUMENT CONTAINS CONFIDENTIAL AND PROPRIETARY INFORMATION OF DEUBLIN COMPANY. COPYING, USE, TRANSMISSION, DISTRIBUTION, AND DISCLOSURE ARE SUBJECT TO THE TERMS AND CONDITIONS CONTAINED IN YOUR AGREEMENT WITH DEUBLIN COMPANY. ALL RIGHTS RESERVED.

$\phi 16$	H8	+0.027 0.000	16.027 16.000
$\phi 9$	H7	+0.015 0.000	9.015 9.000
$\phi 8$	H7	+0.015 0.000	8.015 8.000
Maß	Passung		

				PROJECTION:		SCALE: 2:1	
				MATERIAL: INTERFACE CONTROL DRAWING		TITLE: DEUBLIN BEARINGLESS UNION DEUBLIN Dichtungssatz	
				DATE: 21.02.2012		NAME: CD	
				DRN. 21.02.2012		CW	
				APPD.		NO. 1117-619	
				UNLESS SPECIFICALLY TOLERANCED, ALL DIMENSIONS ARE CONSIDERED REFERENCE		SHEET A3	
ISSUE	MODIFICATION	ECO	DATE	SIGN			