

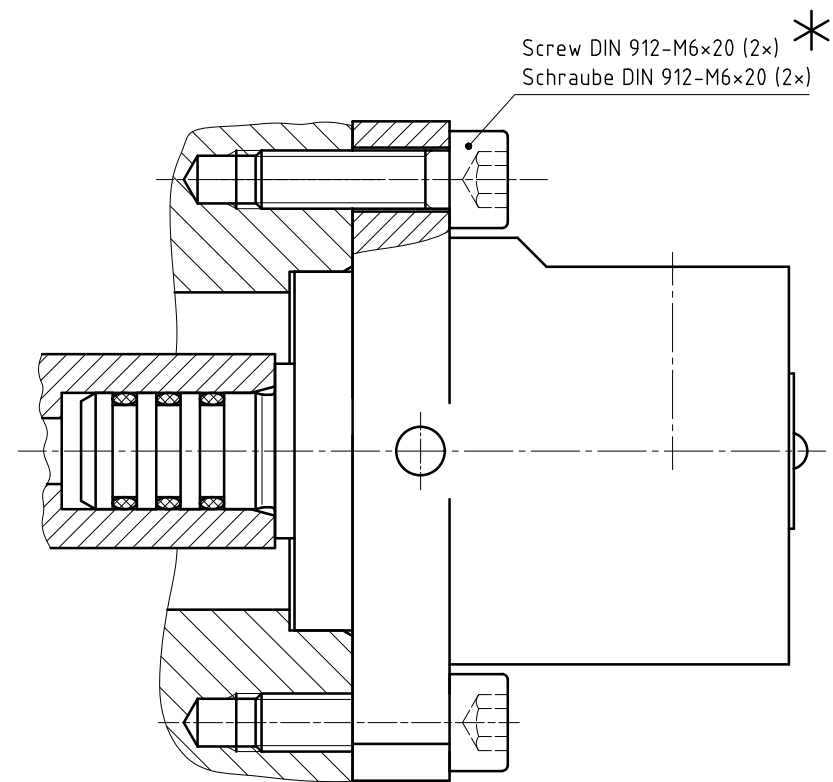
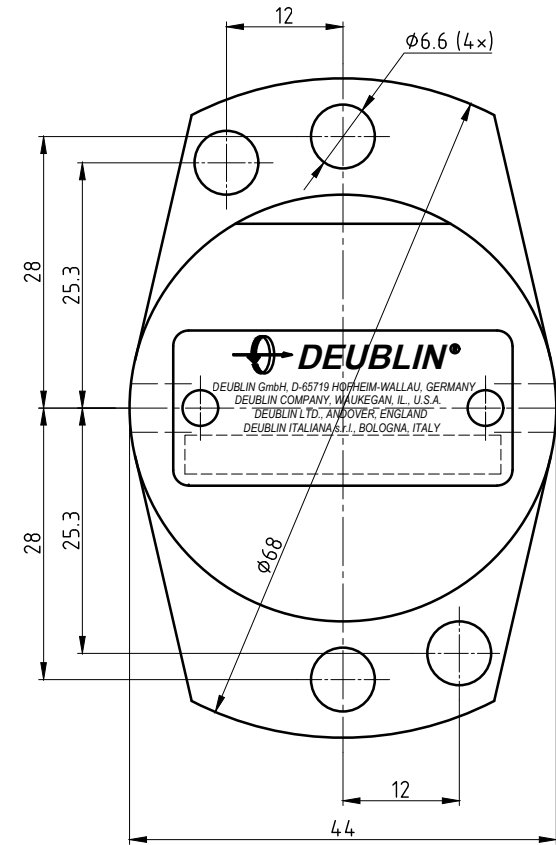
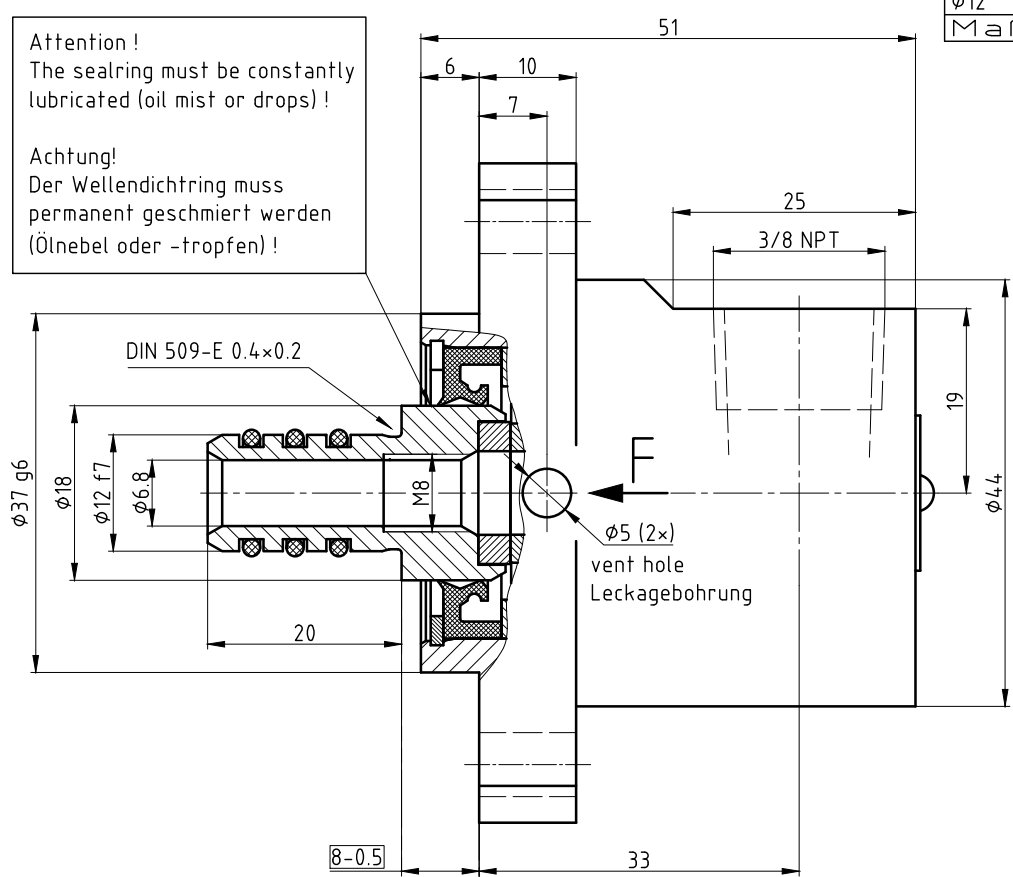
CONFIDENTIAL
 THIS DOCUMENT CONTAINS CONFIDENTIAL AND PROPRIETARY INFORMATION OF DEUBLIN COMPANY. COPYING, USE, TRANSMISSION, DISTRIBUTION, AND DISCLOSURE ARE SUBJECT TO THE TERMS AND CONDITIONS CONTAINED IN YOUR AGREEMENT WITH DEUBLIN COMPANY. ALL RIGHTS RESERVED.

Bearingless Union, Installed
 Dichtungssatz, eingebaut

∅37	g6	-0.009	36.991
		-0.025	36.975
∅12	f7	-0.016	11.984
		-0.034	11.950
∅37	H8	+0.039	37.039
		0	37.000
∅12	H7	+0.018	12.018
		0	12.000
M a B Toleranz			

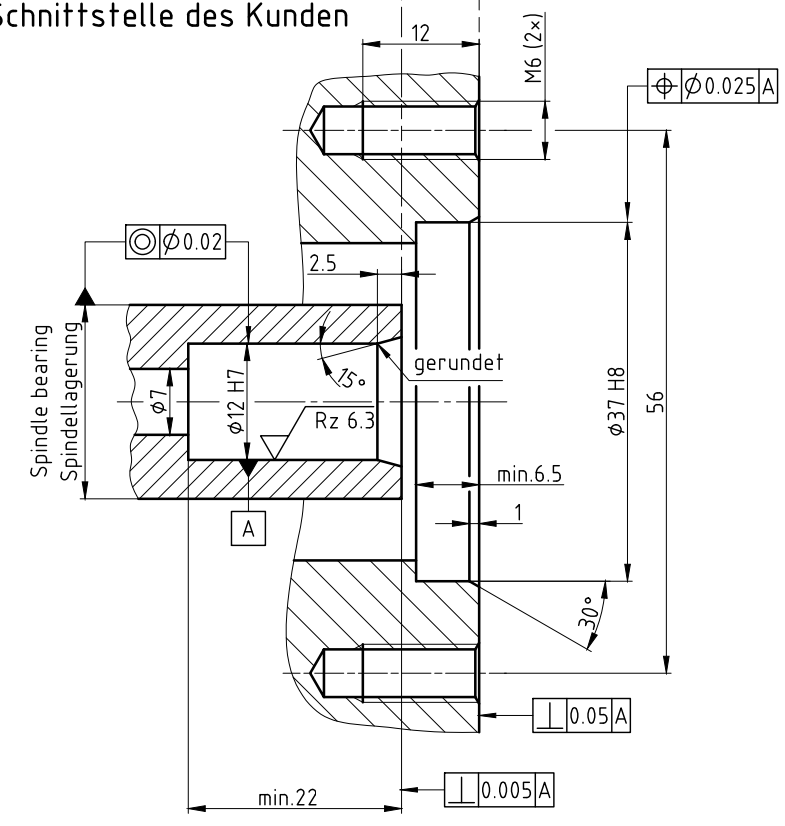
Attention!
 The sealring must be constantly lubricated (oil mist or drops)!

Achtung!
 Der Wellendichtring muss permanent geschmiert werden (Ölnebel oder -tropfen)!



* - Supplied by customer.
 Vom Kunden gestellt.

Customer's Interface
 Schnittstelle des Kunden



ATTENTION!
 OBSERVE THE AXIAL SPINDLE LOAD, RESULTING FROM THE ACTIVE PRESSURE LOADED AREA AND THE MEDIA SUPPLY PRESSURE!
 THE RISE OF FORCE AMOUNTS 12.7 N/bar.
 Achtung!
 Die aus der hydraulisch aktiven Fläche und dem jeweiligen Druck resultierende Axialbelastung der Spindel beachten!
 Der Anstieg der Axialkraft beträgt 12.7 N/bar.

OPERATING DATA / Betriebsdaten		
MEDIA/Medium	COOLANT	KSS
p max.	2000 PSI	140 bar
Q max.	13.2 GPM	50 l/min
n max.	10000 RPM	10000 1/min
t max.	250 °F	120 °C
FILTRATION/Filterung	60 µm	60 µm

DEUBLIN GmbH D-65719 HOFHEIM-WALLAU, GERMANY	PROJECTION:	SCALE: 2:1	Z:\UNIONS\					
		MATERIAL:						
	DATE	NAME	TITLE:					
	DRN. 21.03.2002	V. Wiege	DEUBLIN BEARUNGLESS UNION					
	ENGR. 21.03.2002	Ch. Wolf	DEUBLIN Dichtungssatz					
	APPD.							
e	METROW/NO DRY RUN	0604.1	02.03.06	FD	UNLESS SPECIFICALLY TOLERANCED, ALL DIMENSIONS ARE CONSIDERED REFERENCE	NO.	1117-711-DD	SHEET A2
d	überarbeitet	-	21.03.02	Wiege				
ISSUE	MODIFICATION	ECO	DATE	SIGN				