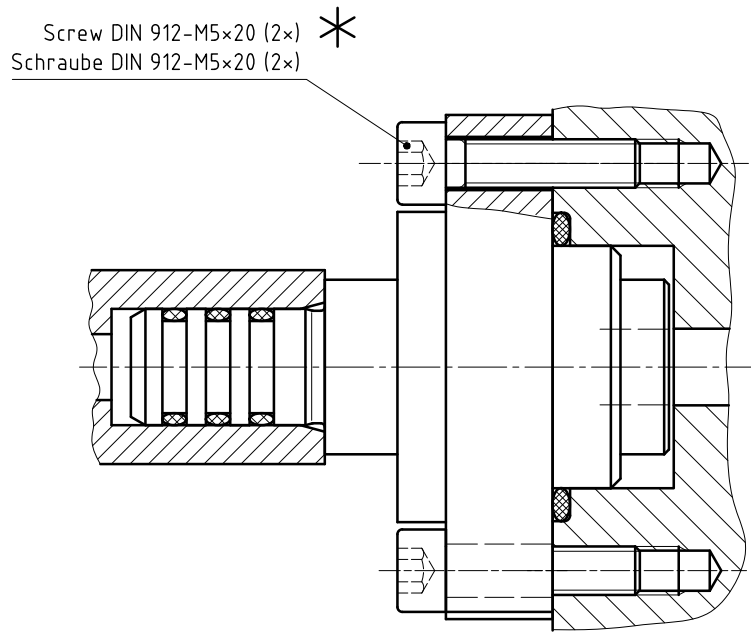


CONFIDENTIAL
 THIS DOCUMENT CONTAINS CONFIDENTIAL AND PROPRIETARY INFORMATION OF DEUBLIN COMPANY. COPYING, USE, TRANSMISSION, DISTRIBUTION, AND DISCLOSURE ARE SUBJECT TO THE TERMS AND CONDITIONS CONTAINED IN YOUR AGREEMENT WITH DEUBLIN COMPANY. ALL RIGHTS RESERVED.

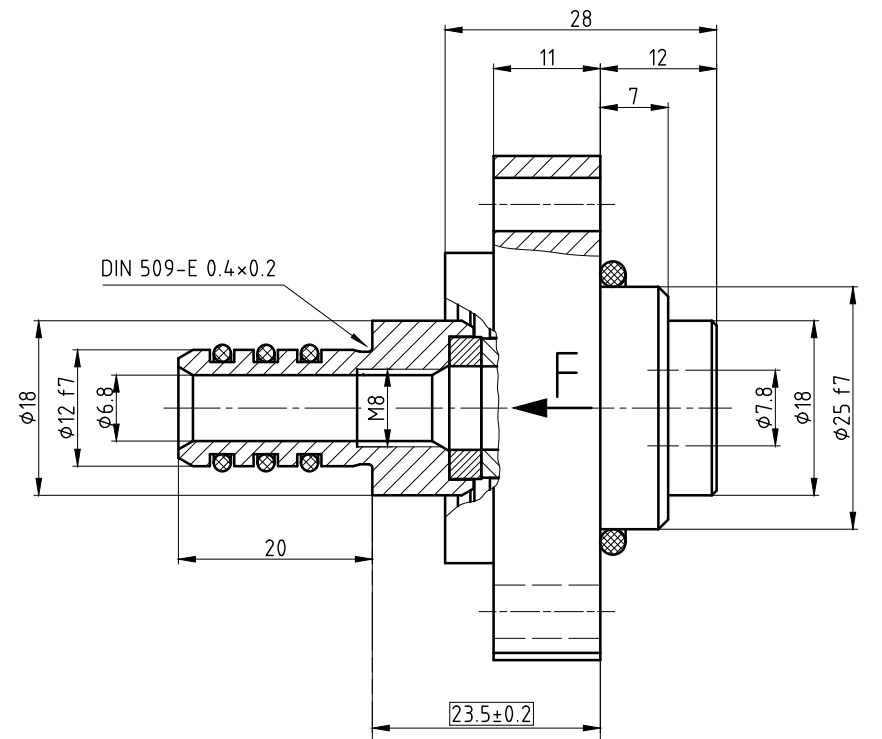
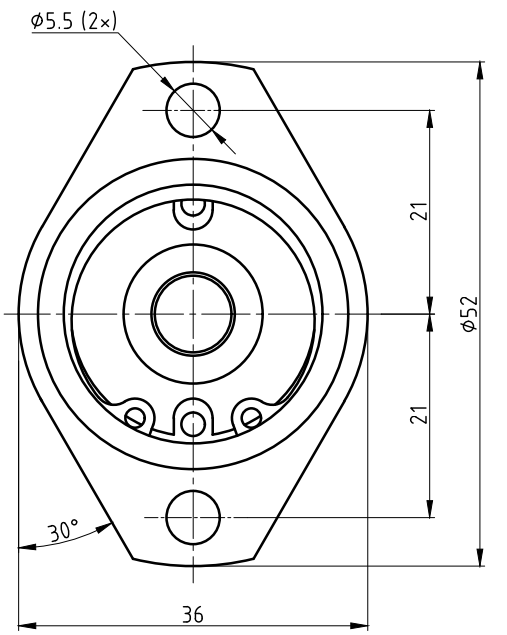
Ø25	f7	-0.020	24.980
		-0.041	24.959
Ø12	f7	-0.016	11.984
		-0.034	11.962
Ø25	H8	+0.033	25.033
		0	25.000
Ø12	H7	+0.018	12.018
		0	12.000
Maß Toleranz			

Bearingless Union, Installed
 Dichtungssatz, eingebaut

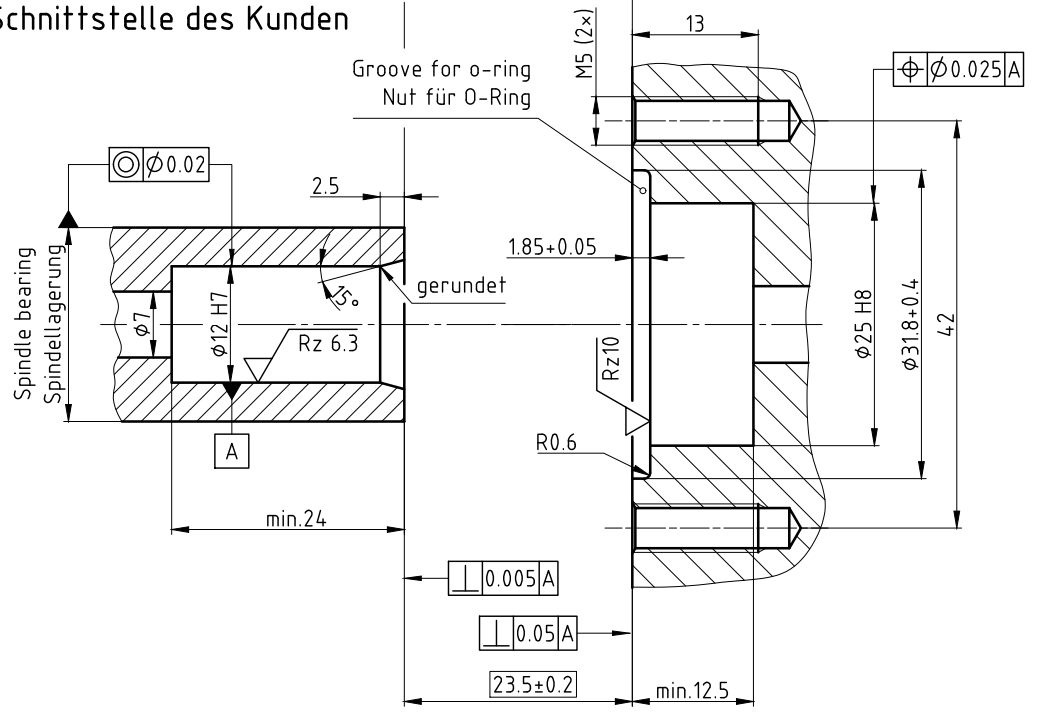


* - Supplied by customer.
 Vom Kunden gestellt.

View without rotor
 Ansicht ohne Rotor



Customer's Interface
 Schnittstelle des Kunden



ATTENTION!
 OBSERVE THE AXIAL SPINDLE LOAD, RESULTING FROM THE ACTIVE PRESSURE LOADED AREA AND THE MEDIA SUPPLY PRESSURE!
 THE RISE OF FORCE AMOUNTS 12.7 N/bar.
 Achtung!
 Die aus der hydraulisch aktiven Fläche und dem jeweiligen Druck resultierende Axialbelastung der Spindel beachten!
 Der Anstieg der Axialkraft beträgt 12.7 N/bar.

OPERATING DATA / Betriebsdaten		
MEDIA/Medium	COOLANT	KSS
p max.	2000 PSI	140 bar
Q max.	13.2 GPM	50 l/min
n max.	20000 RPM	20000 1/min
t max.	250 °F	120 °C
FILTRATION/Filterung	60 µm	60 µm

DEUBLIN GmbH
 D-65719 HOFHEIM-WALLAU, GERMANY

PROJECTION:

SCALE: 2:1 Z:\UNIONS\
 MATERIAL:

DATE	NAME	TITLE
DRN. 19.03.2002	V. Wiege	DEUBLIN BEARINGLESS UNION DEUBLIN Dichtungssatz
ENGR. 19.03.2002	Ch. Wolf	
APPD.		

NO. 1117-789-DD SHEET A2

UNLESS SPECIFICALLY TOLERANCED, ALL DIMENSIONS ARE CONSIDERED REFERENCE