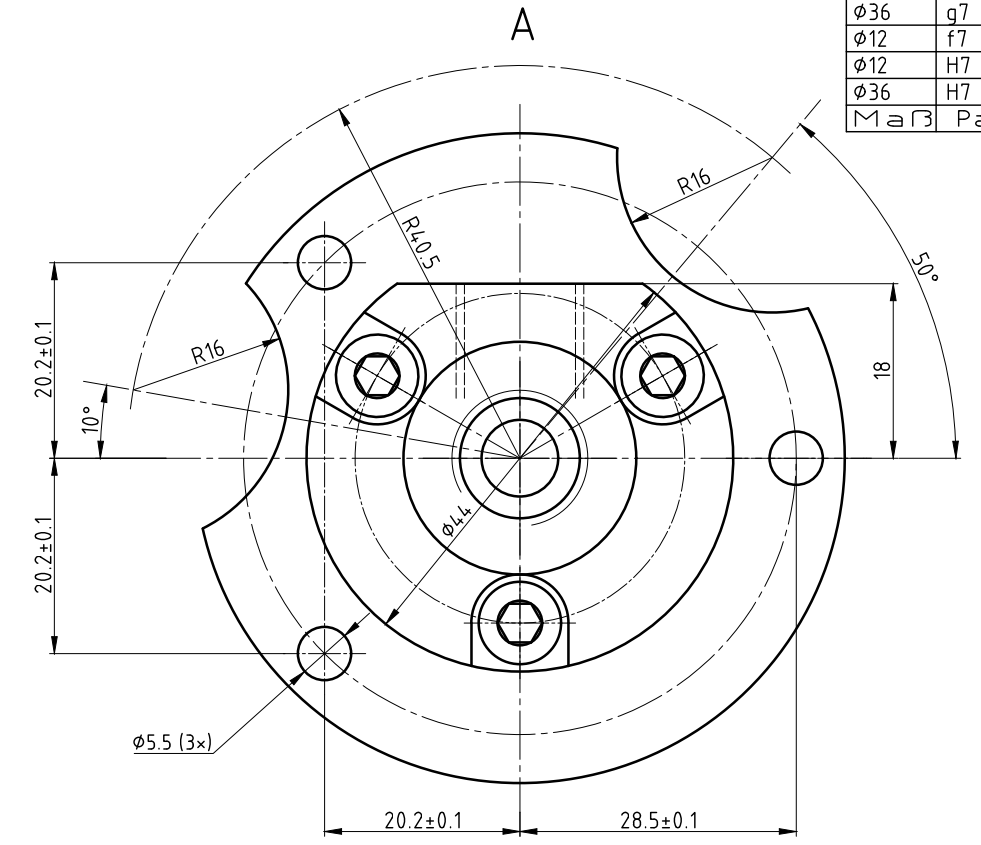
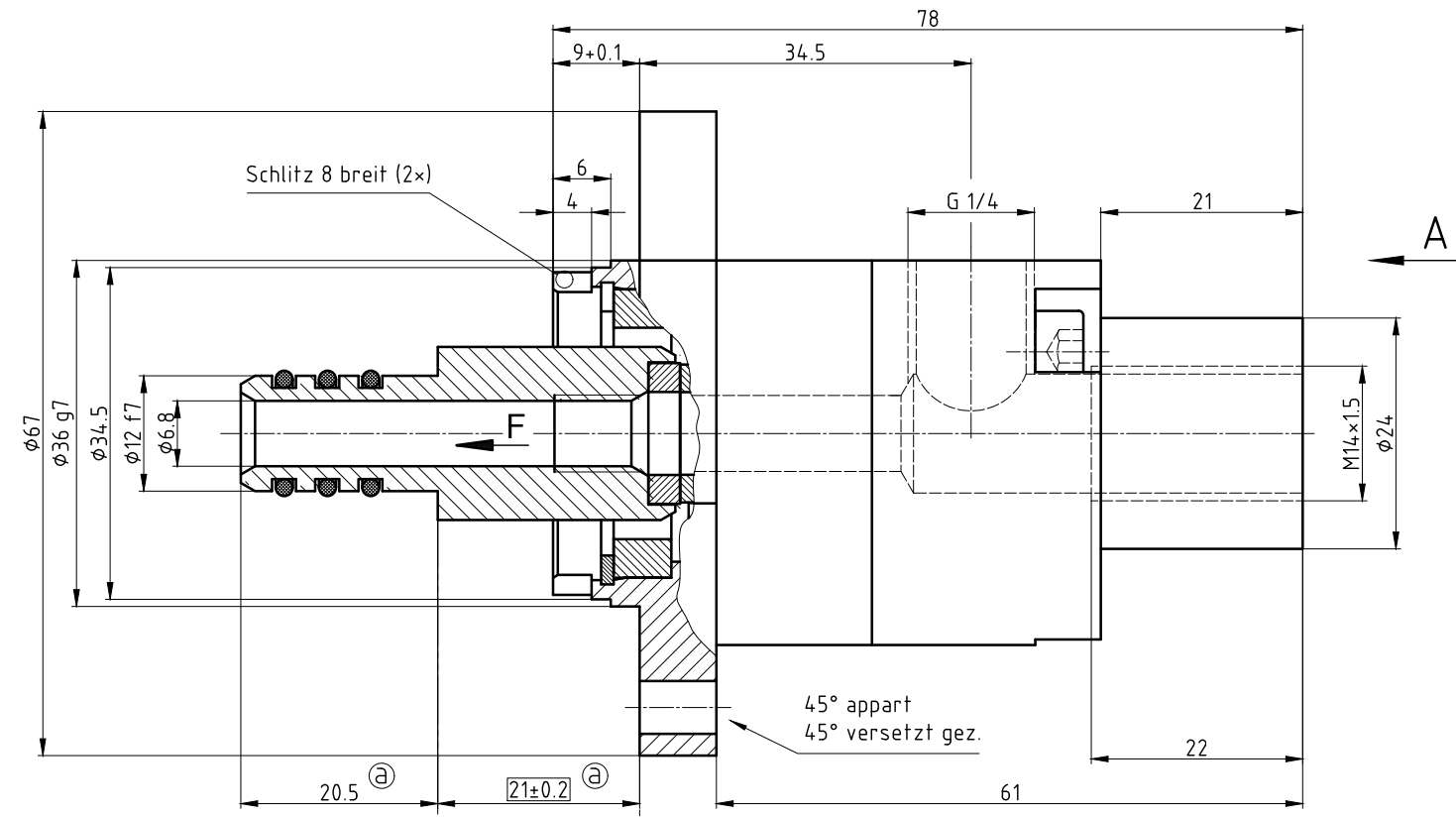


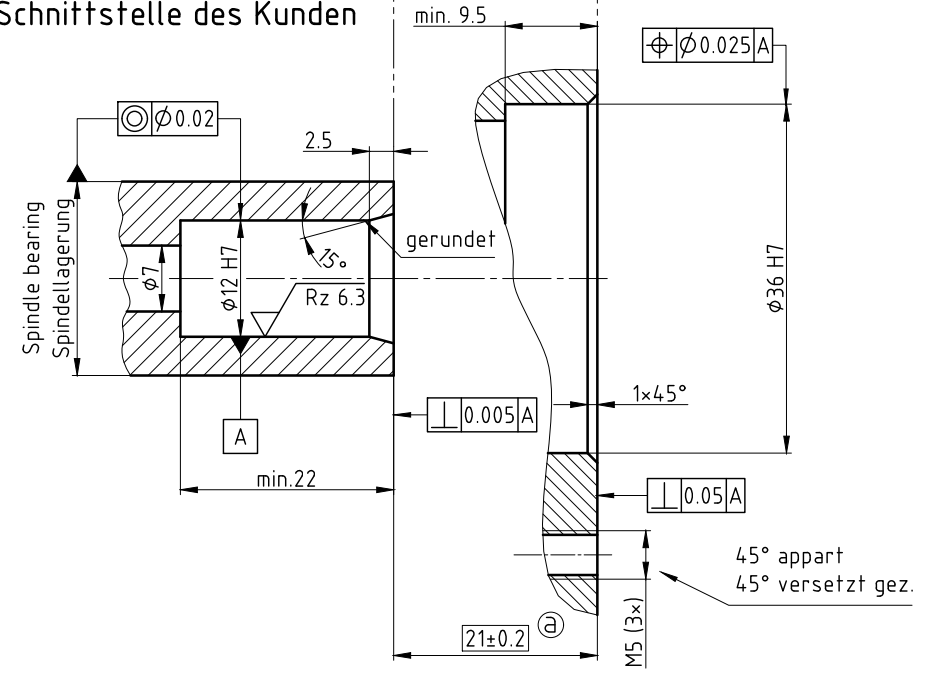
CONFIDENTIAL
 THIS DOCUMENT CONTAINS CONFIDENTIAL AND PROPRIETARY
 INFORMATION OF DEUBLIN COMPANY. COPYING, USE,
 TRANSMISSION, DISTRIBUTION, AND DISCLOSURE ARE SUBJECT
 TO THE TERMS AND CONDITIONS CONTAINED IN YOUR
 AGREEMENT WITH DEUBLIN COMPANY. ALL RIGHTS RESERVED.

Ø36	q7	-0.009	35.991
		-0.034	35.966
Ø12	f7	-0.016	11.984
		-0.034	11.966
Ø12	H7	-0.018	12.018
		0	12.000
Ø36	H7	-0.025	36.025
		0	36.000

Maß Passung



Customer's Interface
 Schnittstelle des Kunden



ATTENTION !
 OBSERVE THE AXIAL SPINDLE LOAD, RESULTING FROM
 THE ACTIVE PRESSURE LOADED AREA AND THE MEDIA
 SUPPLY PRESSURE !
 THE RISE OF FORCE AMOUNTS 12.7 N/bar.
 Achtung!
 Die aus der hydraulisch aktiven Fläche und dem
 jeweiligen Druck resultierende Axialbelastung der
 Spindel beachten !
 Der Anstieg der Axialkraft beträgt 12.7 N/bar.

OPERATING DATA / Betriebsdaten

MEDIA/Medium	COOLANT	KSS
p max.	2000 PSI	140 bar
Q max.	13.2 GPM	50 l/min
n max.	20000 RPM	20000 1/min
t max.	250 °F	120 °C
FILTRATION/Filterung	60 µm	60 µm

DEUBLIN GmbH
 D-65719 HOFHEIM-WALLAU, GERMANY

PROJECTION:

SCALE: 2:1 Z:\UNIONS\

MATERIAL:

DATE	NAME	TITLE
DRN. 11.03.2002	V. Wiege	DEUBLIN BEARINGLESS UNION DEUBLIN Dichtungssatz
ENGR. 11.03.2002	F. Dahl	
APPD.		

NO. 1117-813-DD SHEET A2

UNLESS SPECIFICALLY TOLERANCED, ALL DIMENSIONS ARE CONSIDERED REFERENCE