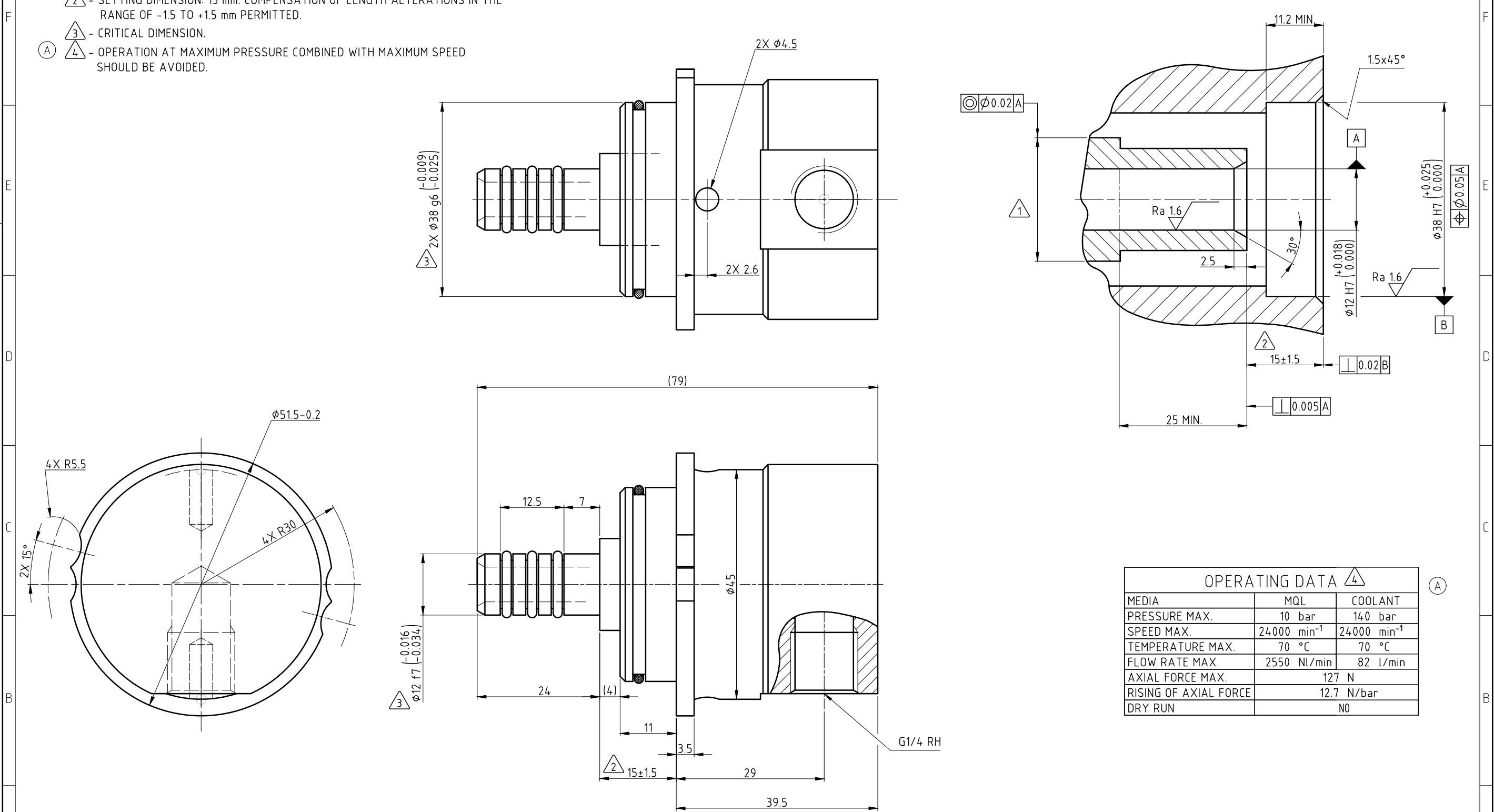


CONFIDENTIAL  
 THIS DOCUMENT CONTAINS CONFIDENTIAL AND PROPRIETARY  
 INFORMATION OF DEUBLIN COMPANY. COPYING, USE,  
 TRANSMISSION, DISTRIBUTION, AND DISCLOSURE ARE SUBJECT  
 TO THE TERMS AND CONDITIONS CONTAINED IN YOUR  
 AGREEMENT WITH DEUBLIN COMPANY. ALL RIGHTS RESERVED.

# CUSTOMER'S INTERFACE

NOTES:

- ① - SPINDLE BEARING ARRANGEMENT.
- ② - SETTING DIMENSION: 15 mm. COMPENSATION OF LENGTH ALTERATIONS IN THE RANGE OF -1.5 TO +1.5 mm PERMITTED.
- ③ - CRITICAL DIMENSION.
- ④ - OPERATION AT MAXIMUM PRESSURE COMBINED WITH MAXIMUM SPEED SHOULD BE AVOIDED.



OPERATING DATA ④

MEDIA	MQL	COOLANT
PRESSURE MAX.	10 bar	140 bar
SPEED MAX.	24000 min <sup>-1</sup>	24000 min <sup>-1</sup>
TEMPERATURE MAX.	70 °C	70 °C
FLOW RATE MAX.	2550 NI/min	82 l/min
AXIAL FORCE MAX.	127 N	
RISING OF AXIAL FORCE	12.7 N/bar	
DRY RUN	NO	

		PROJECTION:	SCALE: 2:1
			MATERIAL: INTERFACE CONTROL DRAWING
DATE: 12/03/2012 NAME: lgalindo ENGR. 12/03/2012 APPD.		TITLE: DEUBLIN BEARINGLESS UNION	
A ADD COOLANT, NOTE 4 34 309 08/15 LG ISSUE MODIFICATION ECO DATE SIGN		NO. 1117-941	SHEET A2

UNLESS SPECIFICALLY TOLERANCED, ALL DIMENSIONS ARE CONSIDERED REFERENCE