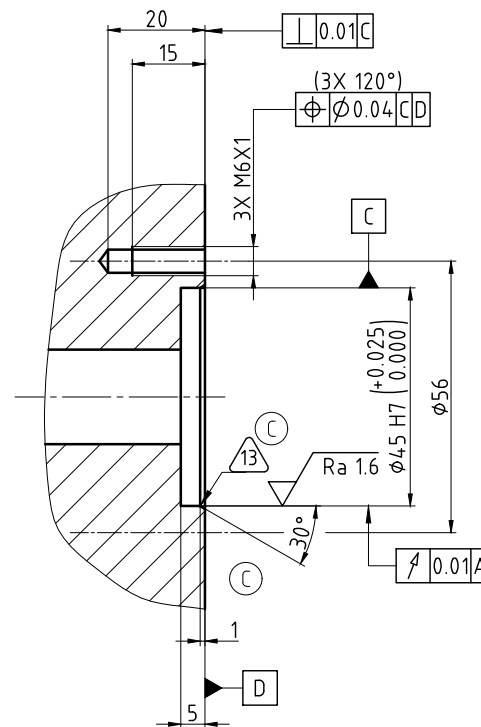
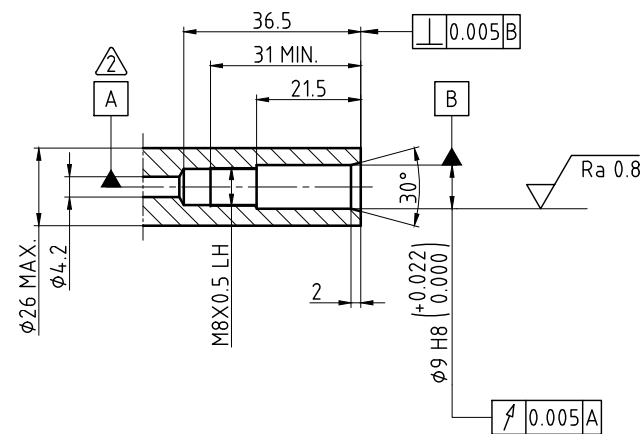
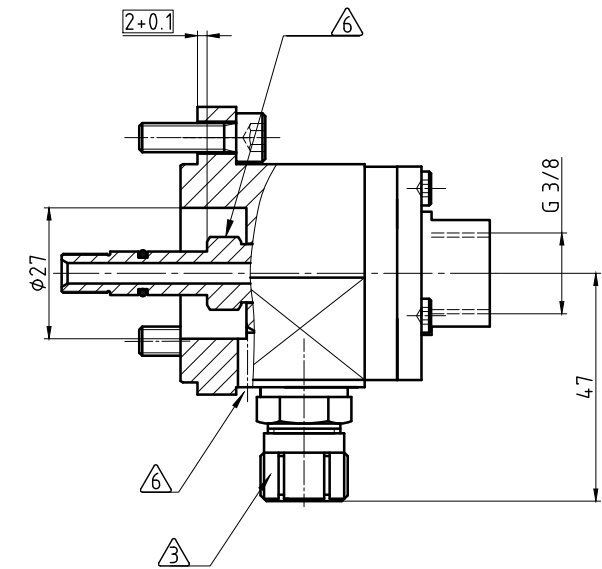
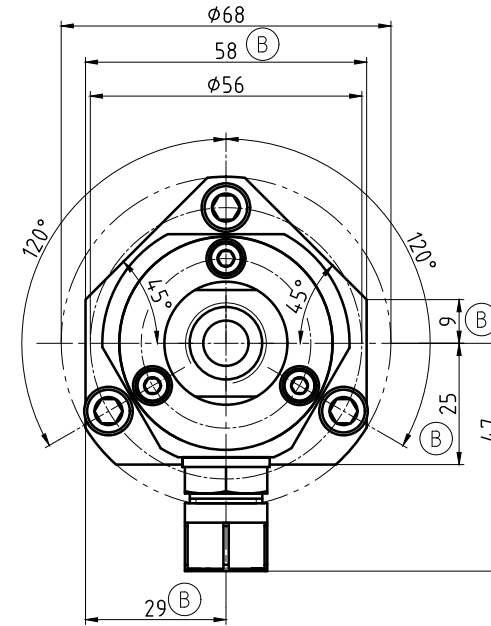
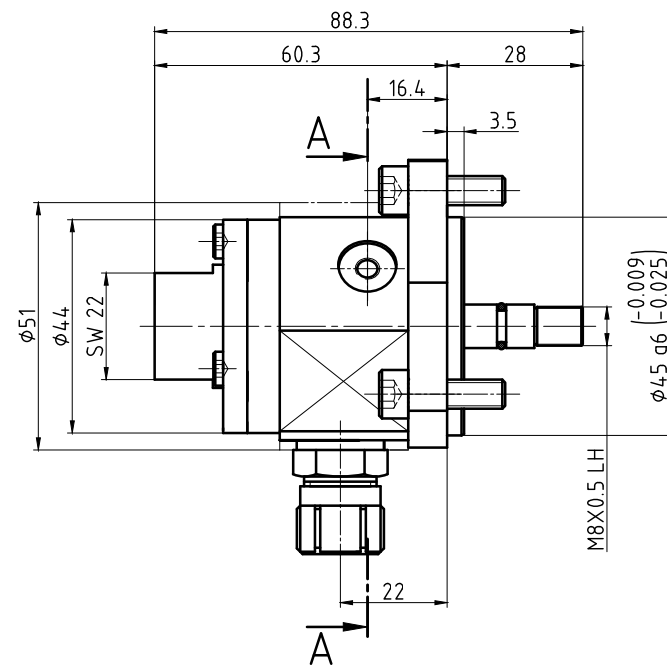
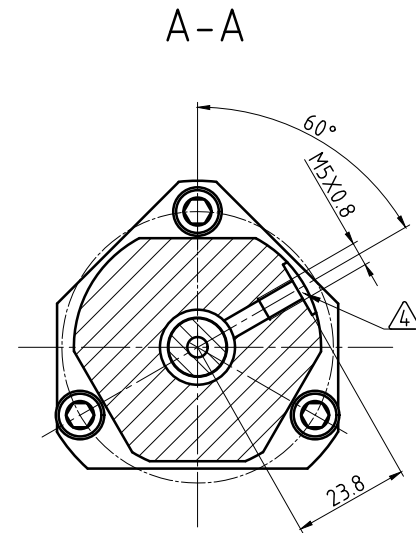


NOTES:

- 1 - CONTACT DEUBLIN OR VISIT WWW.DEUBLIN.COM FOR INSTRUCTION MANUAL: 040-553
- 2 - SPINDLE BEARING ARRANGEMENT
- 3 - VENT CONNECTION FESTO CK-1/4-PK-9
- 4 - AIR SUPPLY PORT FOR AIR LABYRINTH: 0.2 TO 0.5 bar
- 5 - 13 A.F.
- 6 - VENT HOLE
- 7 - ROUNDED. (C)

CONFIDENTIAL  
THIS DOCUMENT CONTAINS CONFIDENTIAL AND PROPRIETARY INFORMATION OF DEUBLIN COMPANY. COPYING, USE, TRANSMISSION, DISTRIBUTION, AND DISCLOSURE ARE SUBJECT TO THE TERMS AND CONDITIONS CONTAINED IN YOUR AGREEMENT WITH DEUBLIN COMPANY. ALL RIGHTS RESERVED.

φ45	q6	-0.009	44.991
		-0.025	44.975
φ45	H7	+0.025	45.025
		0.000	45.000
φ9	H8	+0.022	9.022
		0.000	9.000
Maß	Passung		



CUSTOMER'S SPINDLE END

CUSTOMER'S CAVITY

OPERATING DATA			
MEDIA		COOLANT	MQL
PRESSURE	MAXIMUM	14.0 bar	10 bar
	MINIMUM	3 bar	3 bar
FLOW RATE	MAXIMUM	24.3 L/min	19.6 L/sec
	MINIMUM	3 L/min	6 L/sec
TEMPERATURE	MAXIMUM	70 °C	70 °C
	MINIMUM	5 °C	5 °C
MAXIMUM SPEED		50000 min <sup>-1</sup>	50000 min <sup>-1</sup>
AXIAL FORCE		3.8 N/bar	
DRY RUN		UNPRESSURIZED ONLY	



PROJECTION: SCALE: 1:1 MATERIAL: INTERFACE CONTROL DRAWING

ISSUE	MODIFICATION	ECO	DATE	SIGN
C	ADDED 30° CHAMFER	04.86.71	08/18	MSK
B	ADD MACHINING	015810	11/11	CD
A	NEW OPERATING DATA BLOCK	014.957	08/11	CW

DATE: 04.08.2011 NAME: HJH  
ENGR: 04.08.2011 CW  
APPD.  
TITLE: DEUBLIN BEARINGLESS UNION  
DEUBLIN Dichtungssatz  
NO. 1121-254-255

SHEET A2