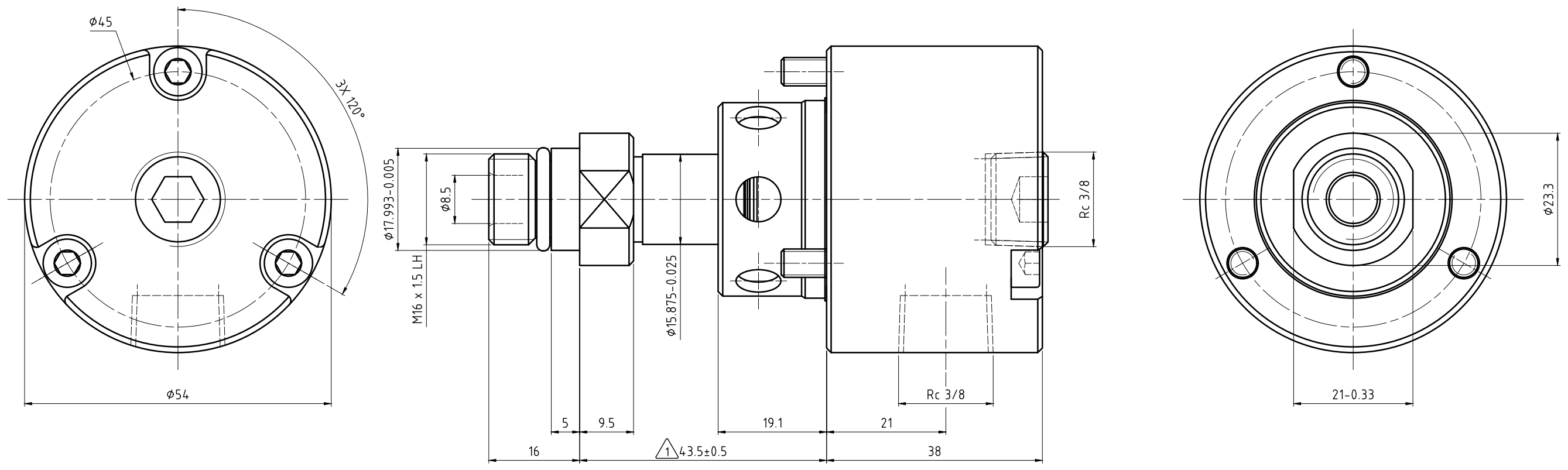
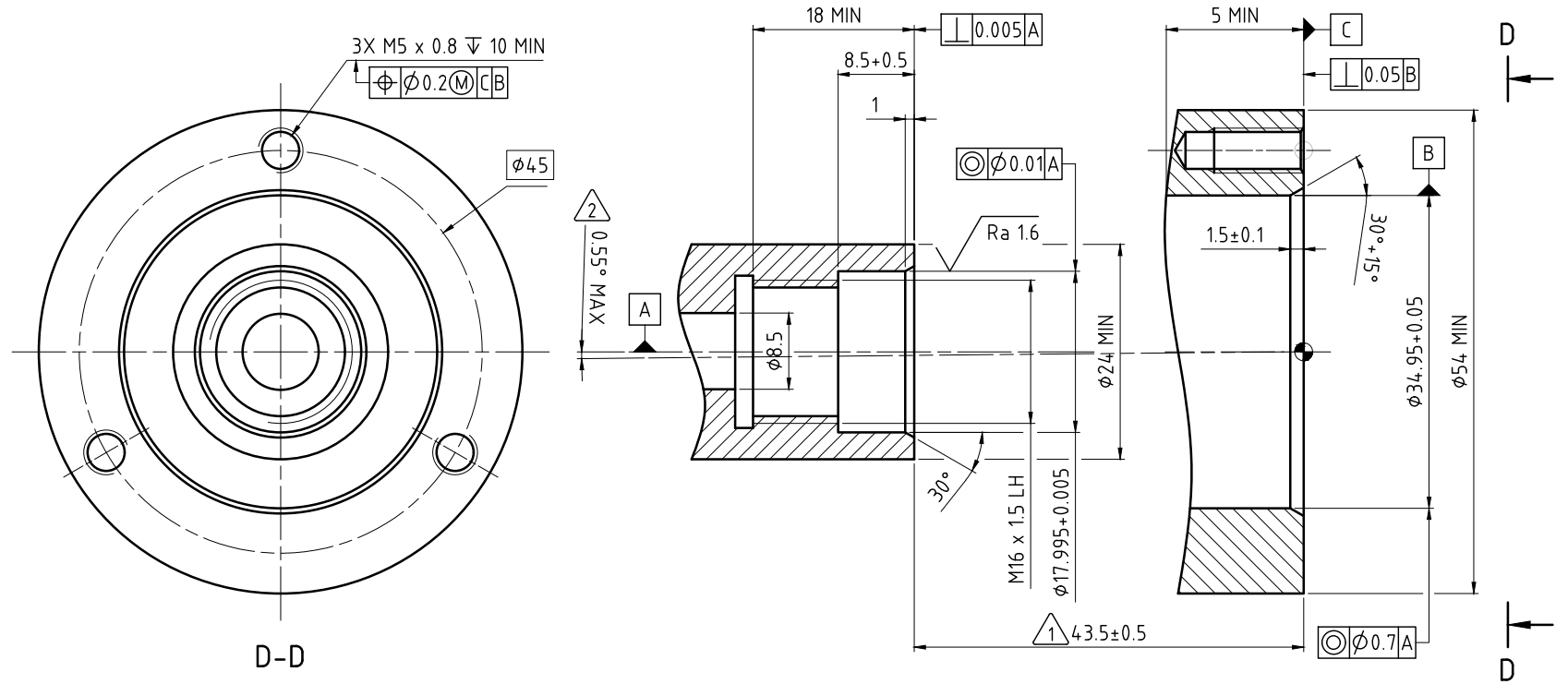


NOTES:

- 1 - MOUNTING DIMENSION
- 2 - ACCEPTABLE ANGULAR MIS-ALIGNMENT FROM PIVOT POINT AT ANY MOUNTING DISTANCE.



(K)  
 CUSTOMER INTERFACE



OPERATING DATA			
MEDIA		COOLANT	MQL
PRESSURE	MAXIMUM	140 bar	10 bar
	MINIMUM	5 bar	5 bar
FLOW RATE	MAXIMUM	87 L/min	4040 NL/min
	MINIMUM	5.7 L/min	- NL/min
TEMPERATURE	MAXIMUM	70 °C	70 °C
	MINIMUM	5 °C	5 °C
MAXIMUM SPEED		40000 min <sup>-1</sup>	40000 min <sup>-1</sup>
AXIAL FORCE		12.7 N/bar (889 N/7 MPa)	
DRY RUN		UNPRESSURIZED ONLY	
RECOMMENDED FILTRATION		ISO 4406 CLASS 17/15/12	

		PROJECTION: 	SCALE: 2:1 MATERIAL: INTERFACE CONTROL DRAWING
DATE: 07/28/2003 NAME: RM		TITLE: DEUBLIN BEARINGLESS UNION, Rc 3/8	
ENGR: 07/28/2003 ARS		NO. 1121-330-345	
APPD.		SHEET A2	
K ISSUE MODIFICATION	016532 ECO	01/12 DATE	AL SIGN

UNLESS SPECIFICALLY TOLERANCED, ALL DIMENSIONS ARE CONSIDERED REFERENCE