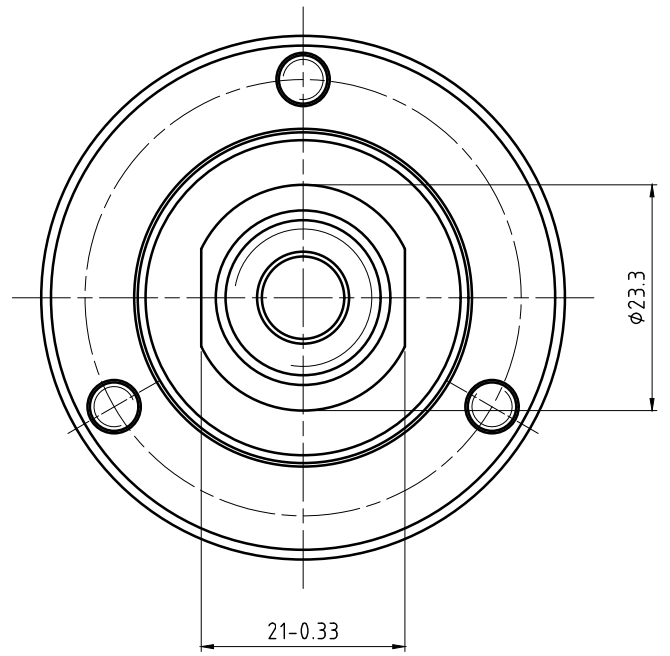
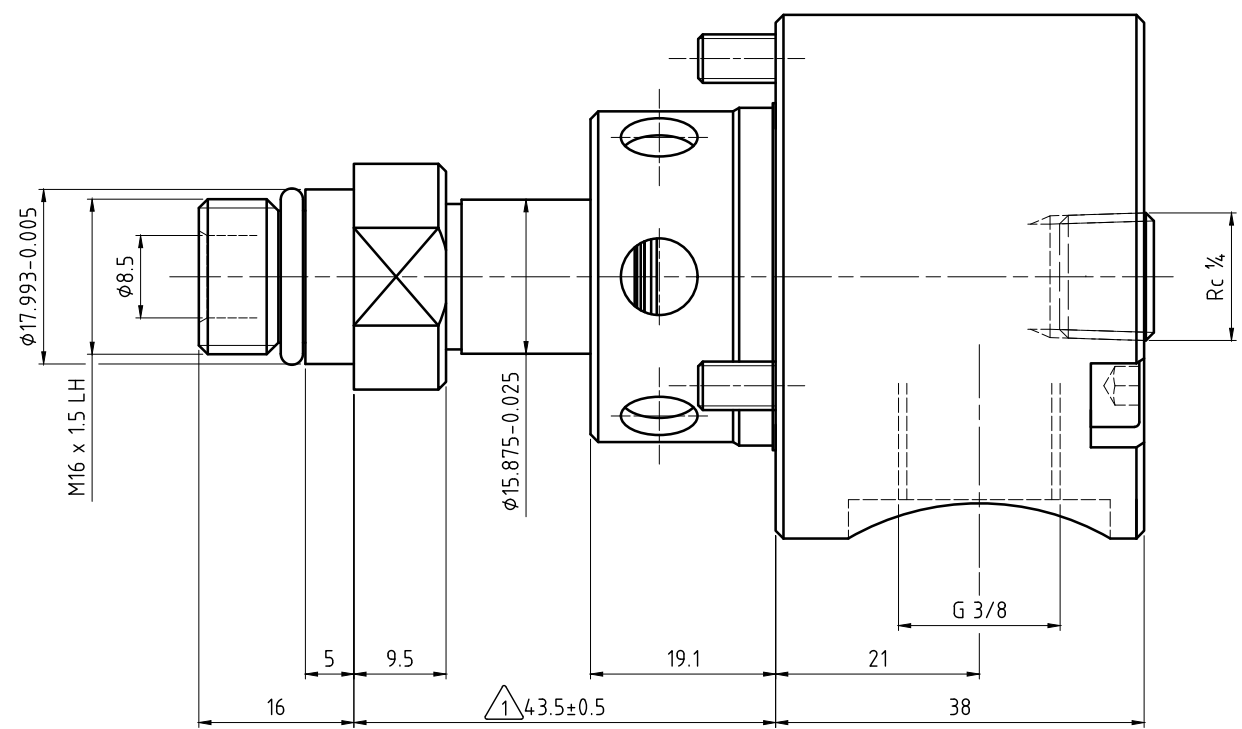
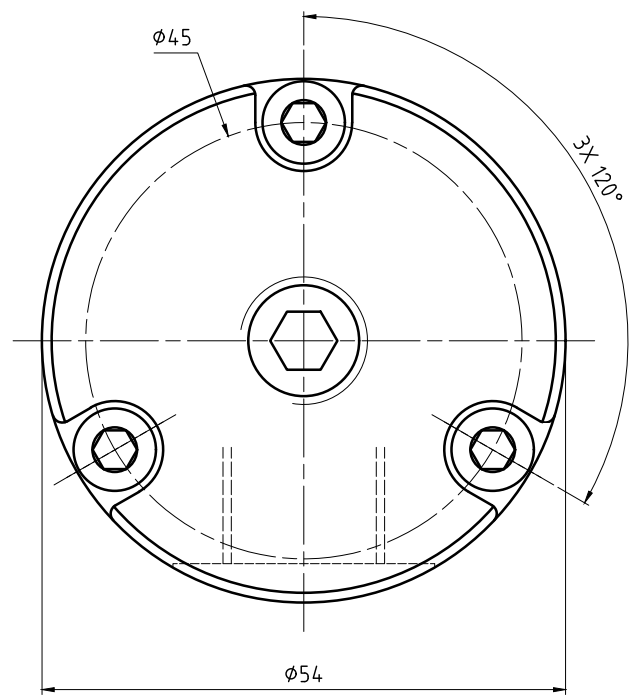
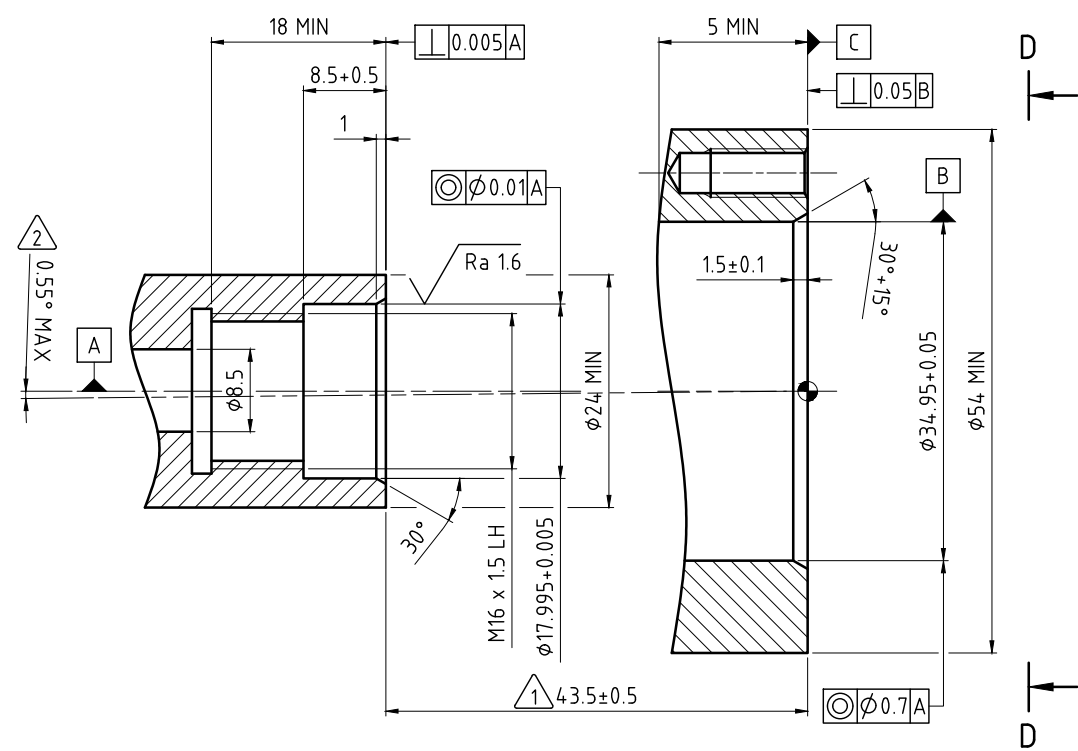
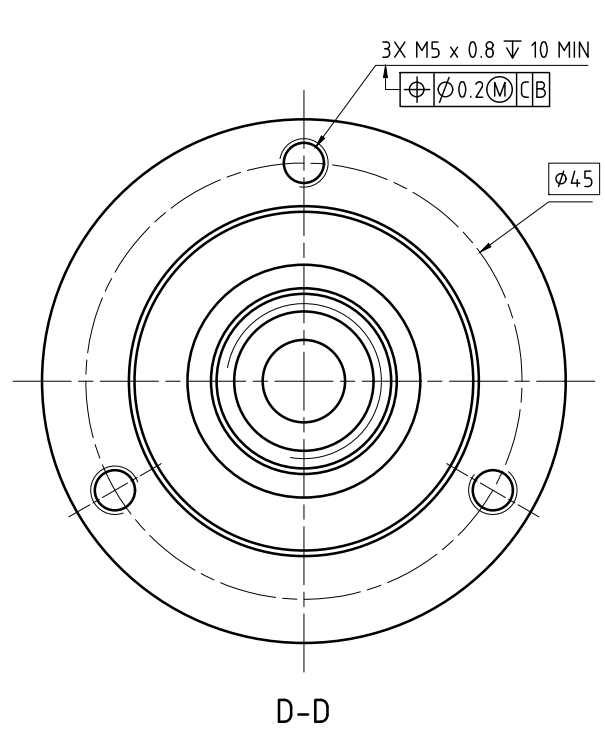


NOTES:

- 1 - MOUNTING DIMENSION
- 2 - ACCEPTABLE ANGULAR MIS-ALIGNMENT FROM PIVOT POINT AT ANY MOUNTING DISTANCE.



(E)  
 CUSTOMER INTERFACE



OPERATING DATA			
MEDIA		COOLANT	MQL
PRESSURE	MAXIMUM	140 bar	10 bar
	MINIMUM	5 bar	5 bar
FLOW RATE	MAXIMUM	25.7 L/min	1176 NL/min
	MINIMUM	5.7 L/min	- NL/min
TEMPERATURE	MAXIMUM	70 °C	70 °C
	MINIMUM	5 °C	5 °C
MAXIMUM SPEED		40000 min <sup>-1</sup>	40000 min <sup>-1</sup>
AXIAL FORCE		12.7 N/bar (889 N/7 MPa)	
DRY RUN		UNPRESSURIZED ONLY	
RECOMMENDED FILTRATION		ISO 4406 CLASS 17/15/12	

**DEUBLIN**  
 Engineered for Performance

PROJECTION:

SCALE: 2:1

MATERIAL: INTERFACE CONTROL DRAWING

TITLE: DEUBLIN BEARINGLESS UNION,  
 G 3/8 & Rc 1/4

NO. 1121-380-345

SHEET A2

DATE	NAME	TITLE
DRN. 04/24/2005	RM	DEUBLIN BEARINGLESS UNION, G 3/8 & Rc 1/4
ENGR. 04/24/2005	ARS	
APPD.		

ISSUE	MODIFICATION	DATE	DATE	AL	SIGN
E	UPDATED FORMAT	016532	01/12	AL	
		ECO			

UNLESS SPECIFICALLY TOLERANCED, ALL DIMENSIONS ARE CONSIDERED REFERENCE