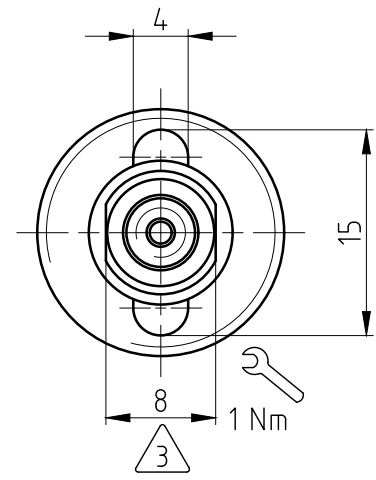
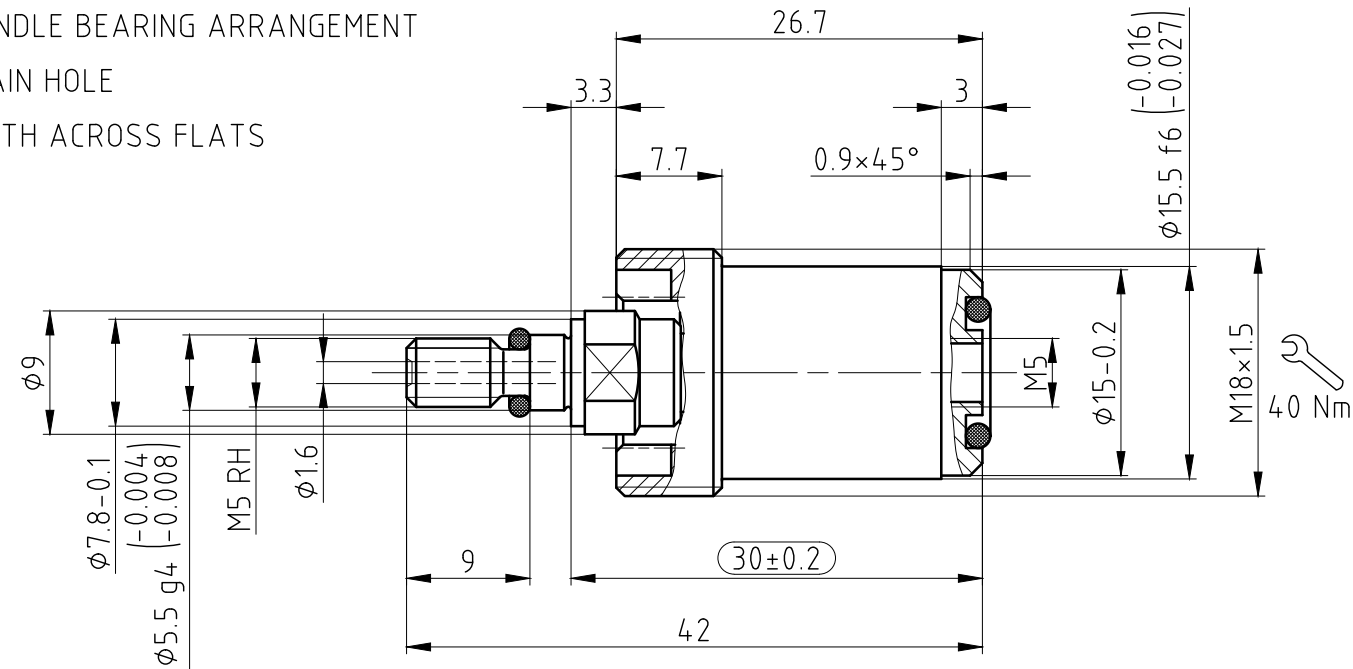


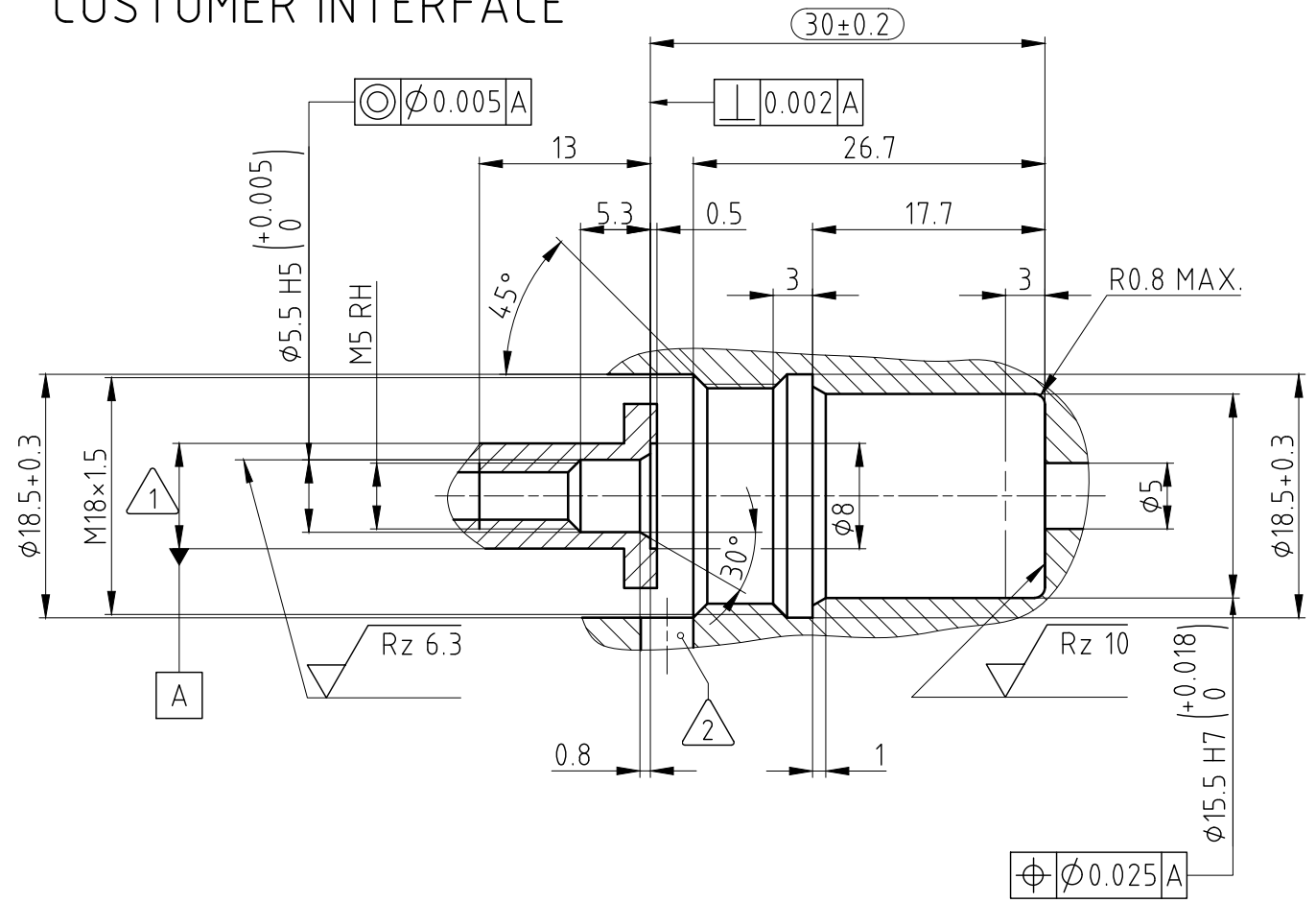
CONFIDENTIAL  
 THIS DOCUMENT CONTAINS CONFIDENTIAL AND PROPRIETARY  
 INFORMATION OF DEUBLIN COMPANY. COPYING, USE,  
 TRANSMISSION, DISTRIBUTION, AND DISCLOSURE ARE SUBJECT  
 TO THE TERMS AND CONDITIONS CONTAINED IN YOUR  
 AGREEMENT WITH DEUBLIN COMPANY. ALL RIGHTS RESERVED.

NOTES:

- ① - SPINDLE BEARING ARRANGEMENT
- ② - DRAIN HOLE
- ③ - WIDTH ACROSS FLATS



CUSTOMER INTERFACE



| OPERATING DATA         |         |                         |                         |                         |
|------------------------|---------|-------------------------|-------------------------|-------------------------|
| MEDIA                  |         | COOLANT                 | CUTTING OIL             | MQL                     |
| MEDIA PRESSURE         | MAXIMUM | 210 bar                 | 210 bar                 | 10 bar                  |
|                        | MINIMUM | 3 bar                   | 3 bar                   | 3 bar                   |
| FLOW RATE              | MAXIMUM | ⑤ 2.3 l/min             | ⑤ 2.3 l/min             | 69 NI/min               |
|                        | MINIMUM | -- l/min                | -- l/min                | -- NI/min               |
| TEMPERATURE            | MAXIMUM | 70 °C                   | 70 °C                   | 70 °C                   |
|                        | MINIMUM | 5 °C                    | 5 °C                    | 5 °C                    |
| MAXIMUM SPEED          |         | 50000 min <sup>-1</sup> | 50000 min <sup>-1</sup> | 50000 min <sup>-1</sup> |
| AXIAL FORCE            |         | 1.29 N/bar              |                         |                         |
| DRY RUN                |         | UNPRESSURIZED ONLY      |                         |                         |
| RECOMMENDED FILTRATION |         | ISO 4406 CLASS 17/15/12 |                         |                         |

|                  |                        |   |                                     |
|------------------|------------------------|---|-------------------------------------|
|                  |                        | PROJECTION:   | SCALE: 2:1                          |
|                  |                        |   | MATERIAL: INTERFACE CONTROL DRAWING |
|                  |                        | DATE: 09.10.2006  | NAME: F. Dahl                       |
|                  |                        | ENGR: 09.10.2006  | Ch. Wolf                            |
| E                | WAS 4 L/MIN            | 041584  | 03/17                               |
| D                | ADDED MISS. DIMENSIONS | 020887  | 11/12                               |
| C                | UPDATED OP DATA        | 018372  | 05/12                               |
| ISSUE            | MODIFICATION           | ECO   | DATE                                |
|                  |                        | UNLESS SPECIFICALLY TOLERANCED, ALL DIMENSIONS ARE CONSIDERED REFERENCE |                                     |
| NO. 1121-910-913 |                        |   | SHEET A3                            |