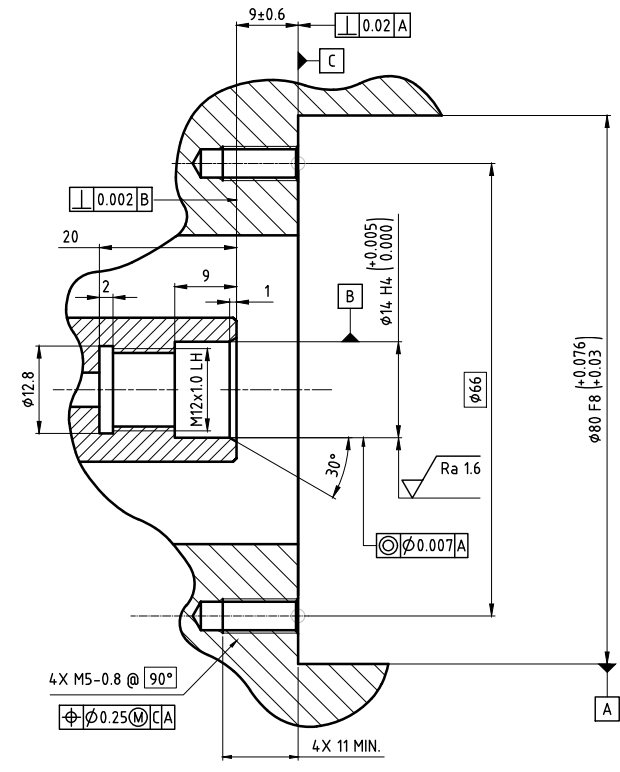
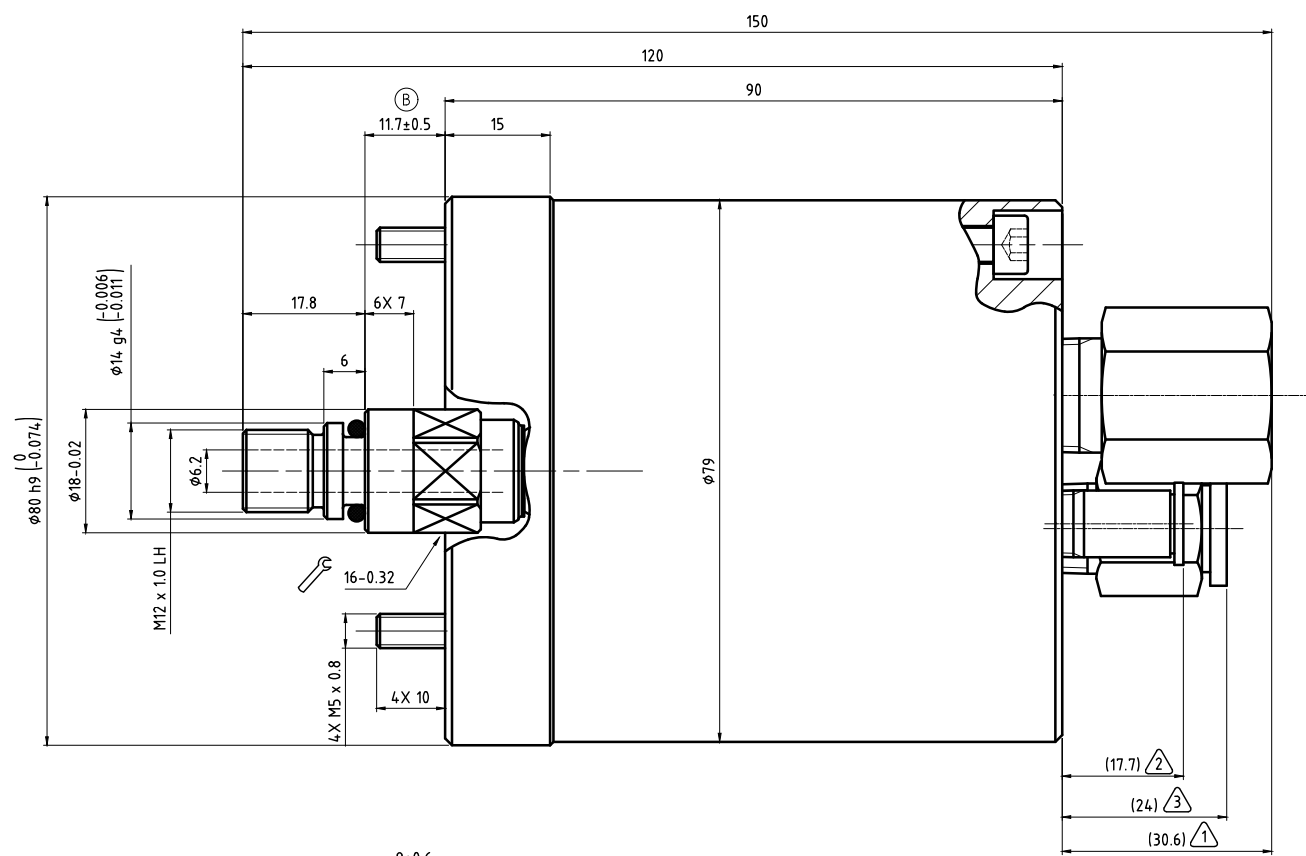
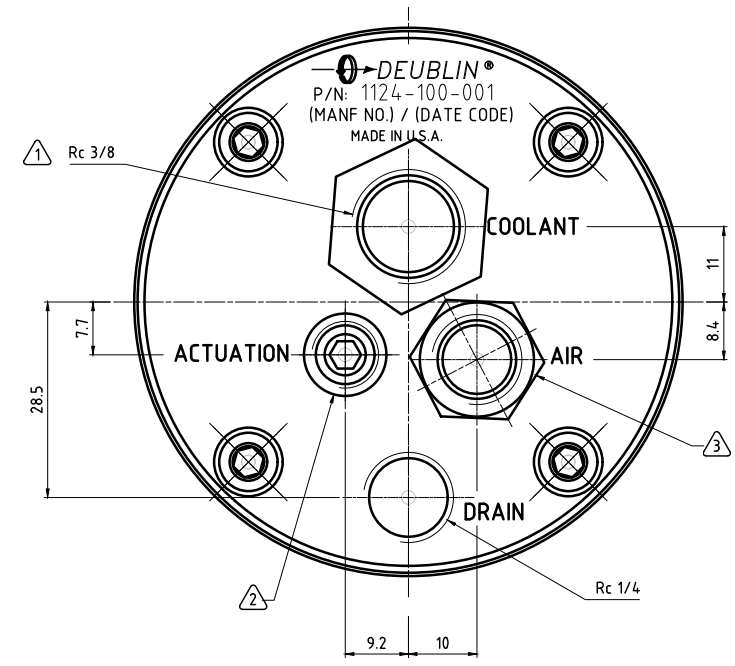


CONFIDENTIAL
 THIS DOCUMENT CONTAINS CONFIDENTIAL AND PROPRIETARY INFORMATION OF DEUBLIN COMPANY. USE IS LIMITED TO THE TERMS AND CONDITIONS CONTAINED IN YOUR AGREEMENT WITH DEUBLIN COMPANY. ALL RIGHTS RESERVED.

Ø80	h9	+0.014	+0.020
Ø80	F8	-0.020	-0.020
Ø14	g4	-0.011	+0.000
Ø14	H4	+0.000	+0.000
Dimen.	Fit		

- NOTES:
- 1- Rc 3/8 STAINLESS STEEL ADAPTER.
 - 2- QUICK CONNECT FITTING FOR 6mm TUBE, HEX-HOLED STRAIGHT, REF. PISCO POC 6-01 OR EQUIVALENT.
 - 3- QUICK CONNECT FITTING FOR 10mm TUBE, REF. PISCO PC 10-02 OR EQUIVALENT.



OPERATING DATA			
MEDIA		COOLANT	MQL OR AIR
PRESSURE	MAXIMUM	140 bar	10 bar
	MINIMUM	3 bar	3 bar
FLOW RATE	MAXIMUM	82 L/min	42.5 NL/sec
	MINIMUM	5.7 L/min	-
TEMPERATURE	MAXIMUM	70 °C	70 °C
	MINIMUM	5 °C	5 °C
MAXIMUM SPEED		40000 min ⁻¹	40000 min ⁻¹
AXIAL FORCE		9.8 N/bar	
DRY RUN		UNLIMITED	

CUSTOMER INTERFACE

	PROJECTION	SCALE: 2:1	
	DATE	NAME	TITLE:
DRN: 07/31/2008	LG	INTERFACE CONTROL DRAWING FOR DEUBLIN BEARINGLESS UNION	
ENGR:		NO.	1124-100-001
APPD:		SHEET	A1
<small>B INSTALLATION: 017044 07/12 HM</small> <small>A DEUBLIN: 064482 12/10 LG</small>		<small>UNLESS SPECIFICALLY TOLERANCED, ALL DIMENSIONS ARE CONSIDERED REFERENCE.</small>	