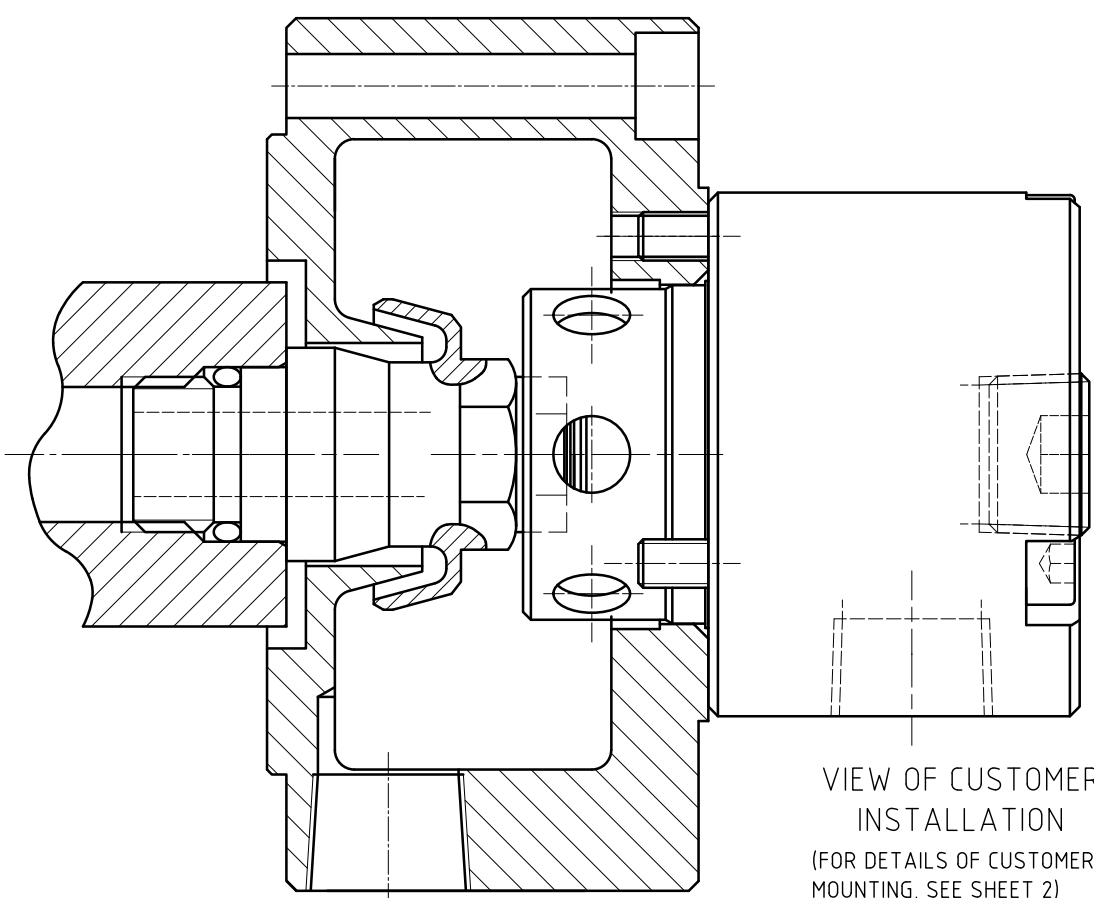
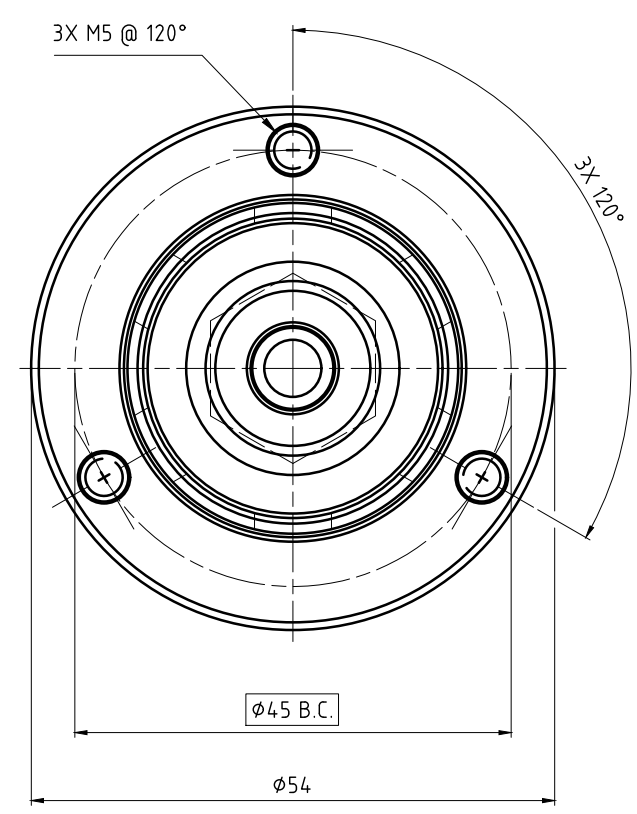
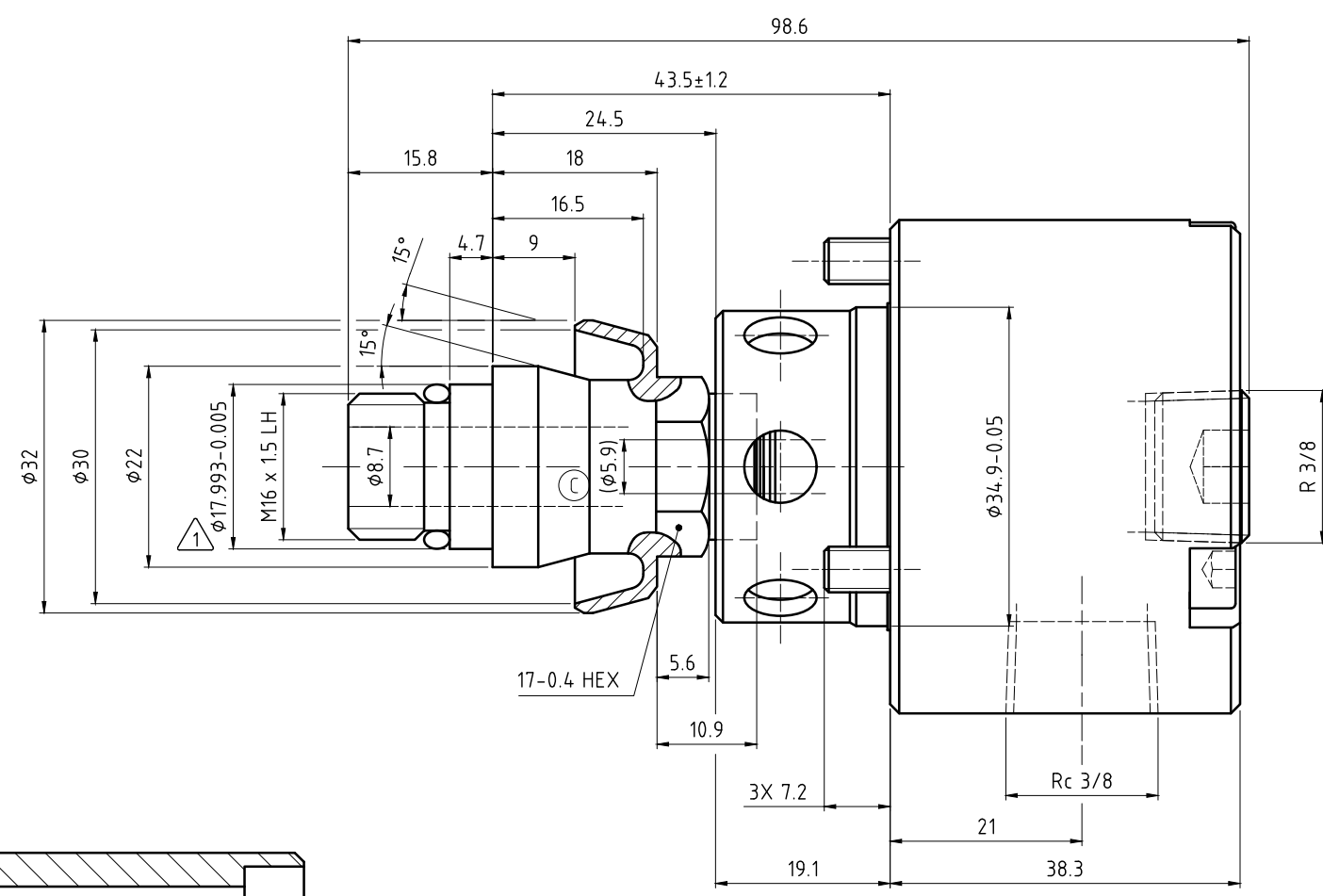
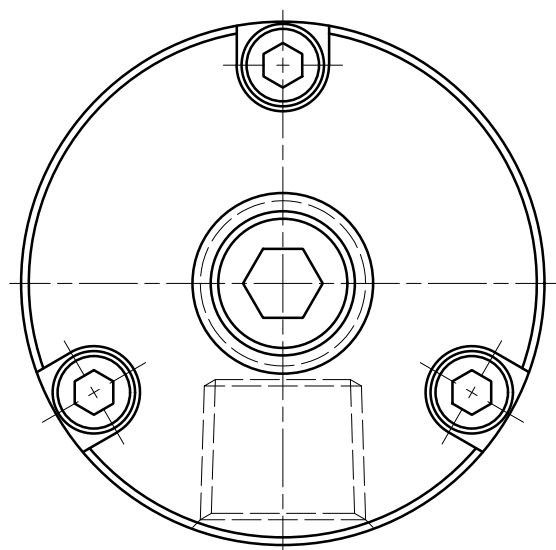


CONFIDENTIAL
 THIS DOCUMENT CONTAINS CONFIDENTIAL AND PROPRIETARY INFORMATION OF DEUBLIN COMPANY. COPYING, USE, TRANSMISSION, DISTRIBUTION, AND DISCLOSURE ARE SUBJECT TO THE TERMS AND CONDITIONS CONTAINED IN YOUR AGREEMENT WITH DEUBLIN COMPANY. ALL RIGHTS RESERVED.

NOTES:
 ① - CRITICAL DIMENSION.



VIEW OF CUSTOMER
 INSTALLATION
 (FOR DETAILS OF CUSTOMER
 MOUNTING, SEE SHEET 2)

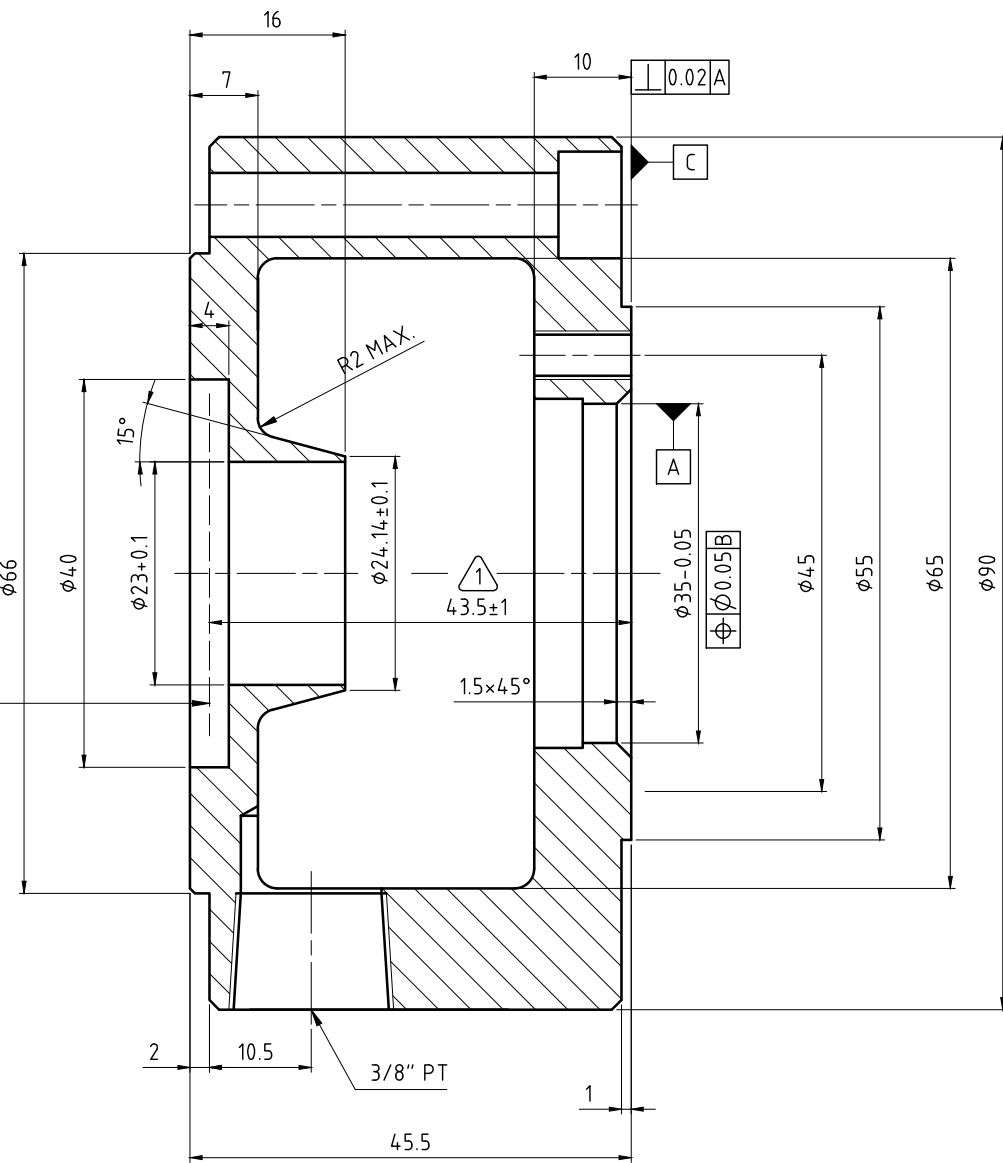
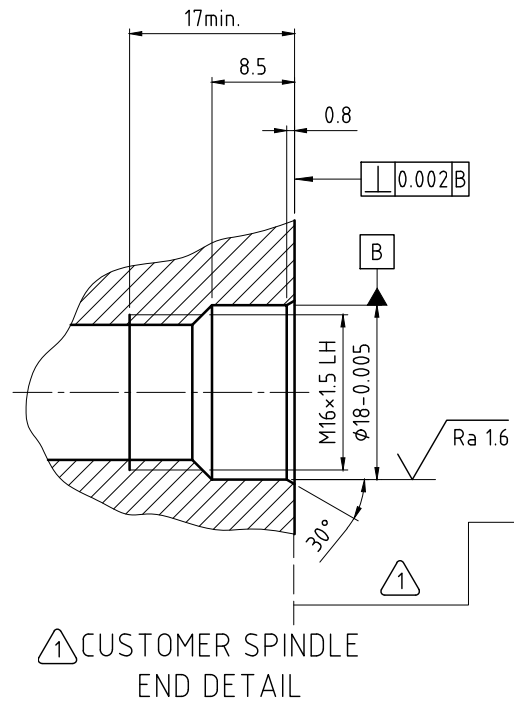
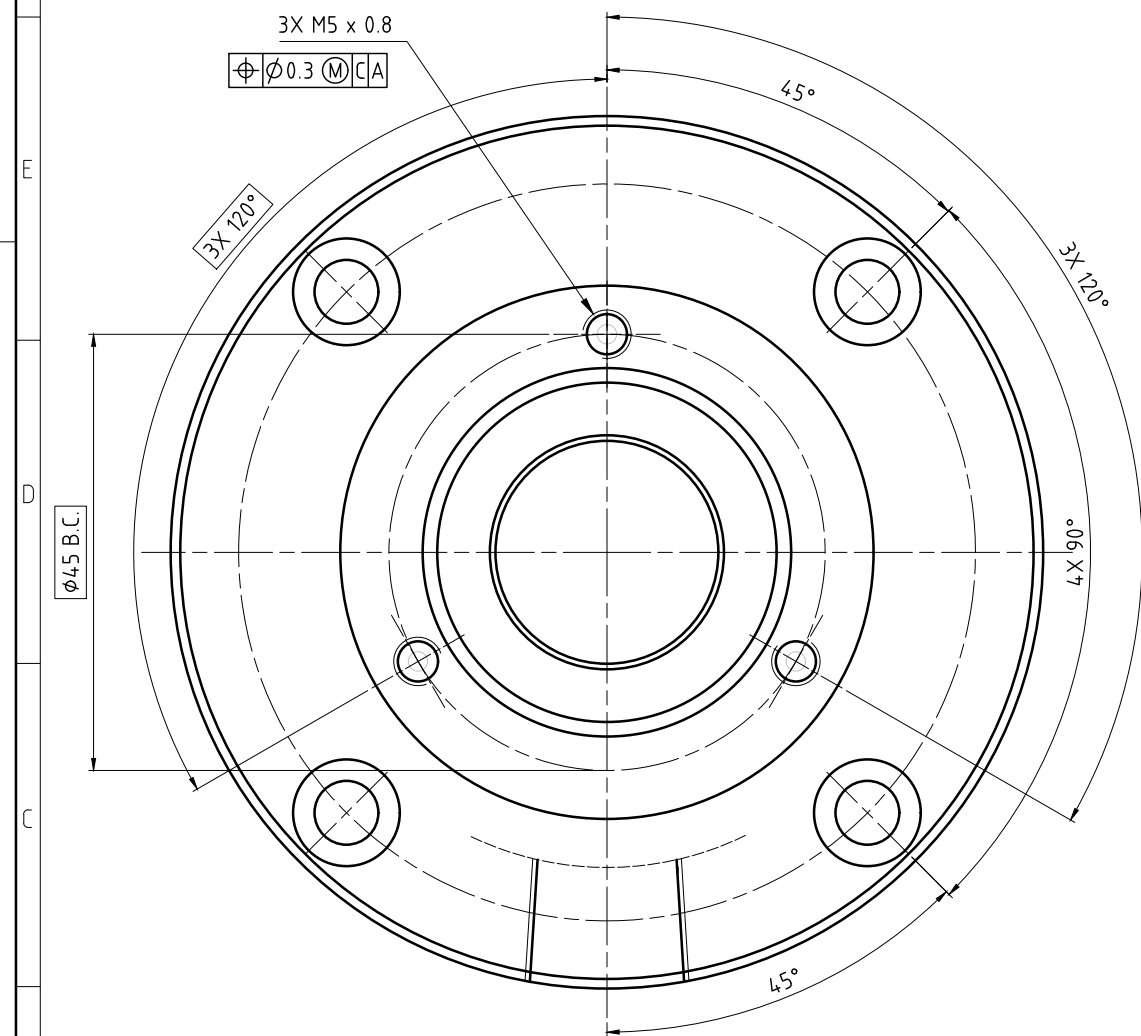
U.S. PATENT 7,815,224

OPERATING DATA			
MEDIA		COOLANT	MQL or AIR
PRESSURE	MAXIMUM	140 bar	10 bar
	MINIMUM	(C) 3 bar	(C) 3 bar
FLOW RATE	MAXIMUM	(C) 37.5 L/min	(C) 771 NL/min
	MINIMUM	5.7 L/min	- NL/sec
TEMPERATURE	MAXIMUM	70 °C	70 °C
	MINIMUM	5 °C	5 °C
MAXIMUM SPEED		40000 min ⁻¹	40000 min ⁻¹
AXIAL FORCE		(C) 9.5 N/bar	
DRY RUN		UNLIMITED	
RECOMMENDED FILTRATION		ISO 4406 CLASS 17/15/12	

SHEET 1 OF 2

		PROJECTION: 	SCALE: 2:1 MATERIAL:																					
<table border="1"> <thead> <tr> <th></th> <th>DATE</th> <th>NAME</th> </tr> </thead> <tbody> <tr> <td>C</td> <td>REVISED OP DATA, MQL/DA 053071 08/19</td> <td>LG DRN.</td> </tr> <tr> <td>B</td> <td>ADDED U.S. / DMS 051786 04/19</td> <td>DO ENGR.</td> </tr> <tr> <td>A</td> <td>REV DESIGN/OPDATA 051398 04/19</td> <td>LG APPD.</td> </tr> <tr> <td>NONE</td> <td>released cust. approved 039821 11/2016</td> <td>LG</td> </tr> <tr> <td>00</td> <td>init rel unapproved 039248 09/16</td> <td>LG</td> </tr> <tr> <td>ISSUE</td> <td>MODIFICATION ECO</td> <td>DATE SIGN</td> </tr> </tbody> </table>			DATE	NAME	C	REVISED OP DATA, MQL/DA 053071 08/19	LG DRN.	B	ADDED U.S. / DMS 051786 04/19	DO ENGR.	A	REV DESIGN/OPDATA 051398 04/19	LG APPD.	NONE	released cust. approved 039821 11/2016	LG	00	init rel unapproved 039248 09/16	LG	ISSUE	MODIFICATION ECO	DATE SIGN	TITLE: INTERFACE CONTROL DRAWING BEARINGLESS UNION	NO. 1124-330-240
	DATE	NAME																						
C	REVISED OP DATA, MQL/DA 053071 08/19	LG DRN.																						
B	ADDED U.S. / DMS 051786 04/19	DO ENGR.																						
A	REV DESIGN/OPDATA 051398 04/19	LG APPD.																						
NONE	released cust. approved 039821 11/2016	LG																						
00	init rel unapproved 039248 09/16	LG																						
ISSUE	MODIFICATION ECO	DATE SIGN																						
UNLESS SPECIFICALLY TOLERANCED, ALL DIMENSIONS ARE CONSIDERED REFERENCE			SHEET A2																					

NOTES:
 1 - DIMENSION SHOWN IS DISTANCE BETWEEN MOUNTING SURFACES OF UNION HOUSING AND ROTOR.
 SPINDLE END DETAIL SHOWN BACKED OUT OF POSITION FOR DRAWING CLARITY.



CUSTOMER DRAIN
 BOX DETAIL

SHEET 2 OF 2

		PROJECTION: 	SCALE: 2:1 MATERIAL:
DATE: 09/19/2016 NAME: galindolm		TITLE: INTERFACE CONTROL DRAWING BEARINGLESS UNION	
NO. 1124-330-240		SHEET A2	
C CHANGES SHEET 1 053071 08/19 LG DRN.	B CHANGES SHEET 1 051786 04/19 LG ENGR.	UNLESS SPECIFICALLY TOLERANCED, ALL DIMENSIONS ARE CONSIDERED REFERENCE	
A CHANGES SHEET 1 051398 04/19 LG APPD.	NONE released cust. approved 039821 11/16 LG	ISSUE MODIFICATION ECO DATE SIGN	
00 nil rel unapproved 039248 09/16 LG			