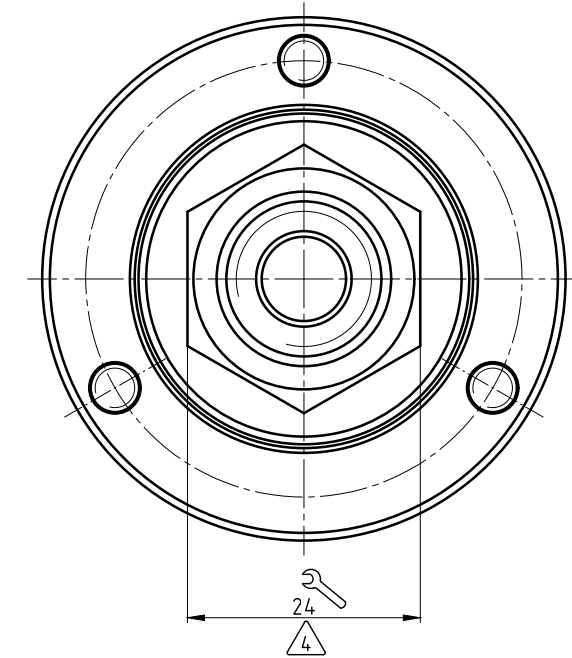
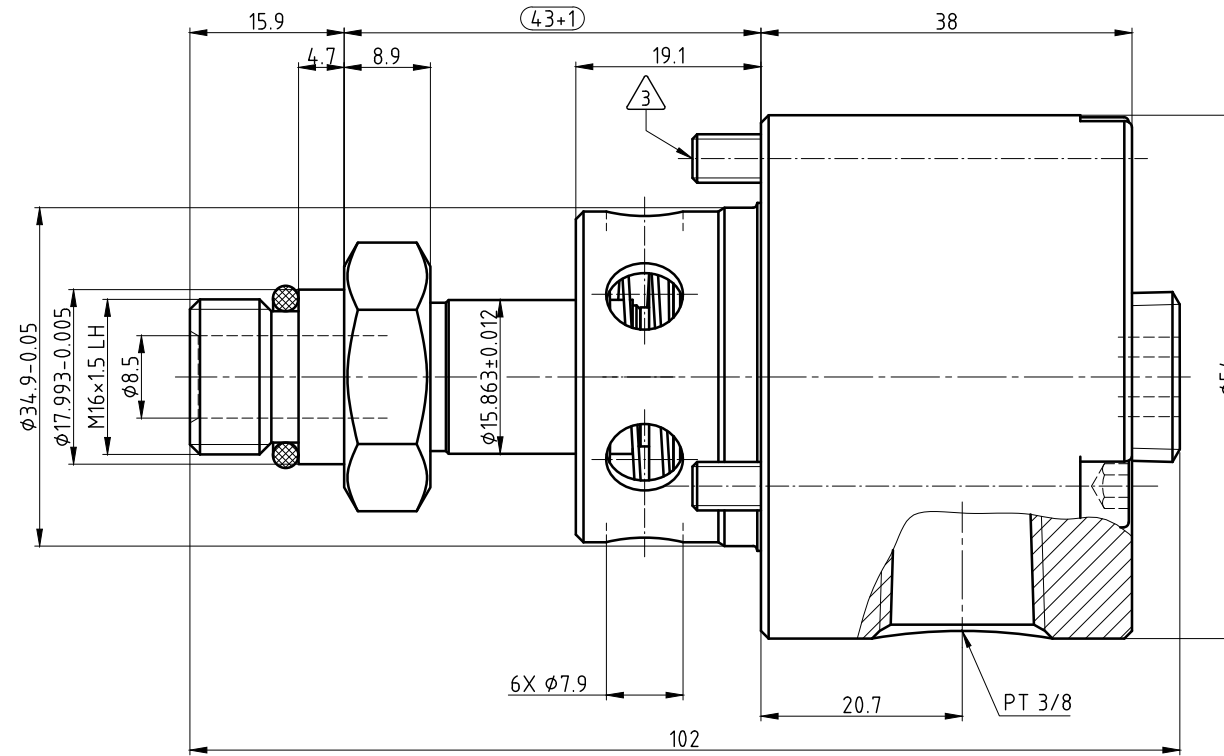
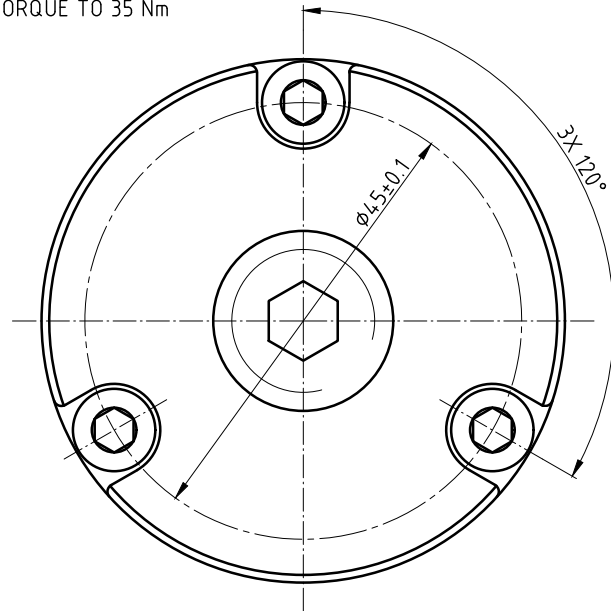
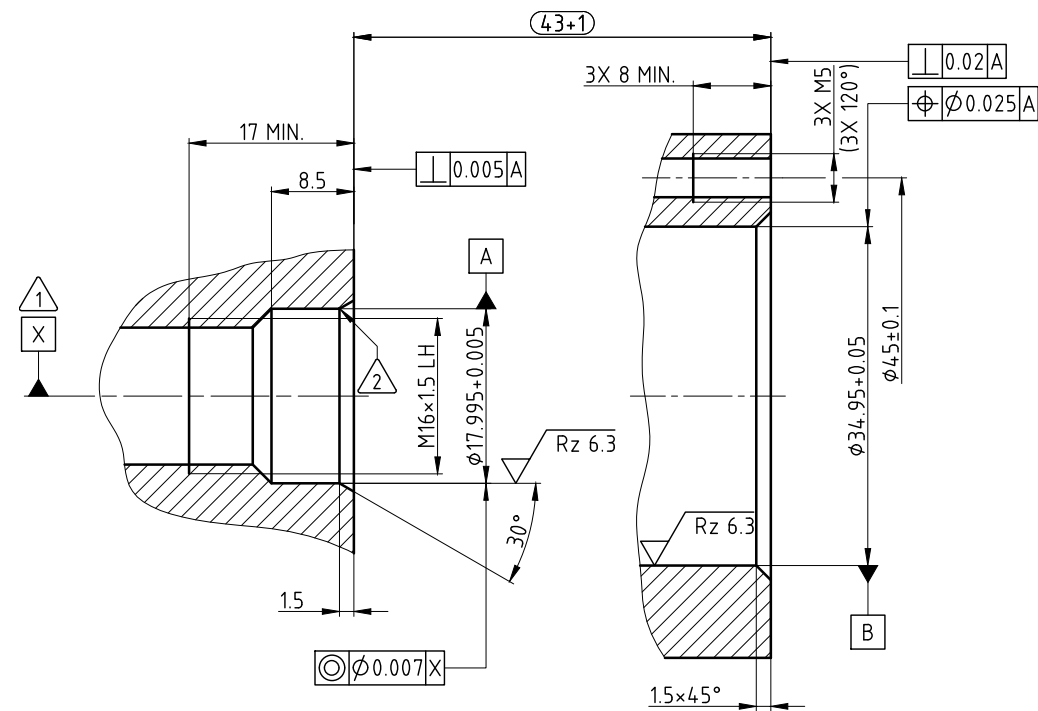


NOTES:

- ① - SPINDLE BEARING ARRANGEMENT
- ② - ROUNDED
- ③ - 3X SCREW M5x4.0
- ④ - TORQUE TO 35 Nm



CUSTOMER INTERFACE



OPERATING DATA			
MEDIA		COOLANT	MQL
PRESSURE	MAXIMUM	140 bar	10 bar
	MINIMUM	-- bar	-- bar
MAXIMUM SPEED		30000 min <sup>-1</sup>	30000 min <sup>-1</sup>
FLOW RATE	MAXIMUM	24.3 l/min	595 Nl/min
	MINIMUM	-- l/min	-- Nl/min
TEMPERATURE	MAXIMUM	71 °C	71 °C
	MINIMUM	5 °C	5 °C
AXIAL FORCE		12.7 N/bar	
DRY RUN		UNLIMITED	



PROJECTION: SCALE: 2:1  
 MATERIAL: INTERFACE CONTROL DRAWING

DATE	NAME
DRN. 05.06.2012	FD
ENGR. 05.06.2012	CB
APPD.	

TITLE: DEUBLIN BEARINGLESS UNION  
 DEUBLIN Dichtungssatz  
 NO. 1129-033-301

UNLESS SPECIFICALLY TOLERANCED, ALL DIMENSIONS ARE CONSIDERED REFERENCE