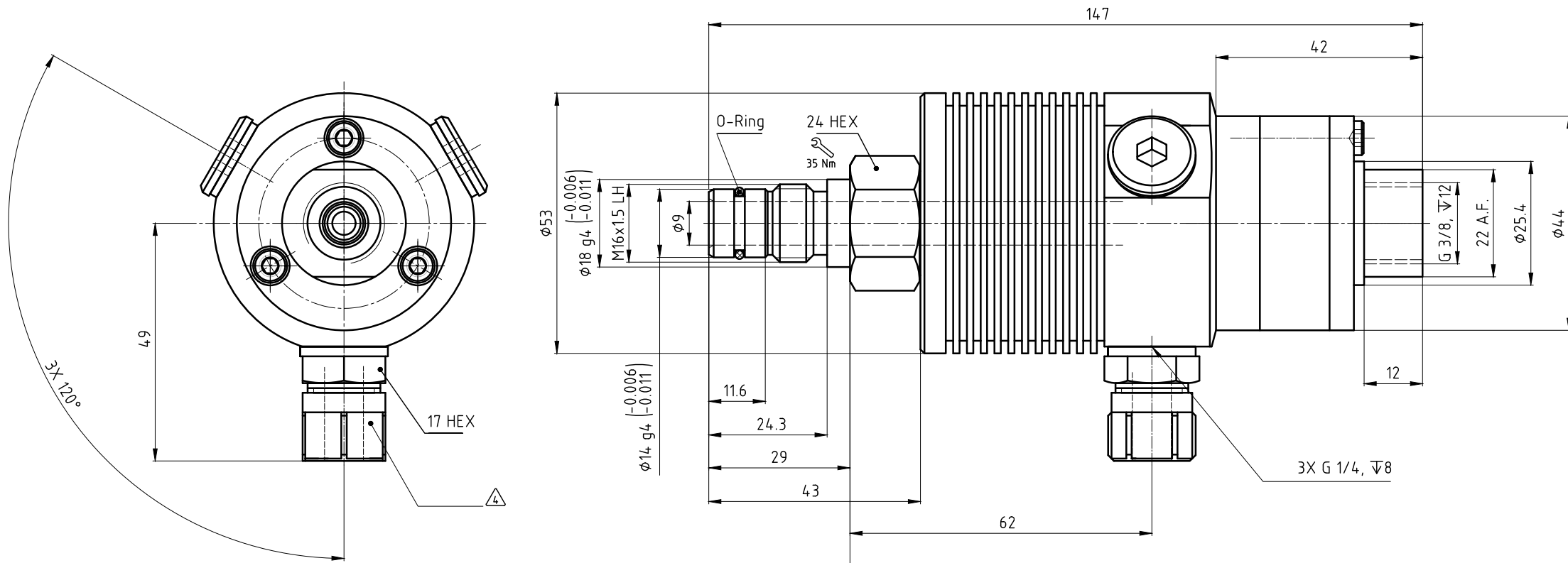


NOTES:  
 1 - CONTACT DEUBLIN OR VISIT WWW.DEUBLIN.COM  
 FOR INSTRUCTION MANUAL: 040-553

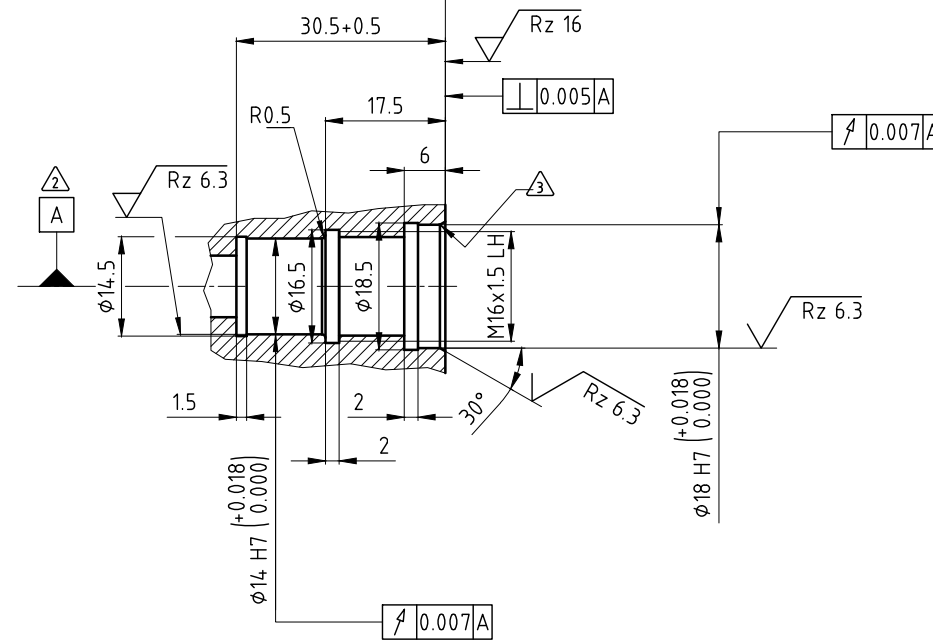
- △ - SPINDLE BEARING
- △ - ROUNDED
- △ - FOR 9MM HOSE

CONFIDENTIAL  
 THIS DOCUMENT CONTAINS CONFIDENTIAL AND PROPRIETARY INFORMATION OF DEUBLIN COMPANY. COPYING, USE, OR REPRODUCTION IN ANY MANNER WITHOUT THE WRITTEN PERMISSION OF DEUBLIN COMPANY IS STRICTLY PROHIBITED. ALL RIGHTS RESERVED.

Ø18	g4	-0.020	0.000
Ø18	H7	-0.010	0.000
Ø14	g4	-0.010	0.000
Ø14	H7	-0.008	0.000
Maß	Passung		



CUSTOMER'S INTERFACE



OPERATING DATA		
MEDIA	COOLANT	MQL
PRESSURE MIN.	3 bar	3 bar
PRESSURE MAX.	140 bar	10 bar
SPEED MAX.	20000 min <sup>-1</sup>	20000 min <sup>-1</sup>
TEMPERATURE MAX.	70 °C	70 °C
FLOW RATE MAX.	24.3 l/min	1060 NI/min
DRY RUN	UNLIMITED	

**DEUBLIN**  
 Engineered for Performance

PROJECTION	SCALE: 2:1
MATERIAL: INTERFACE CONTROL DRAWING	TITLE: DEUBLIN ROTATING UNION DEUBLIN Drehdurchführung
DATE: 12.05.2003	NAME: W.R.S.
ENGR: 12.05.2003	WOLF
NO. 1129-718-480	SHEET A2

UNLESS SPECIFICALLY TOLERANCED, ALL DIMENSIONS ARE CONSIDERED REFERENCE