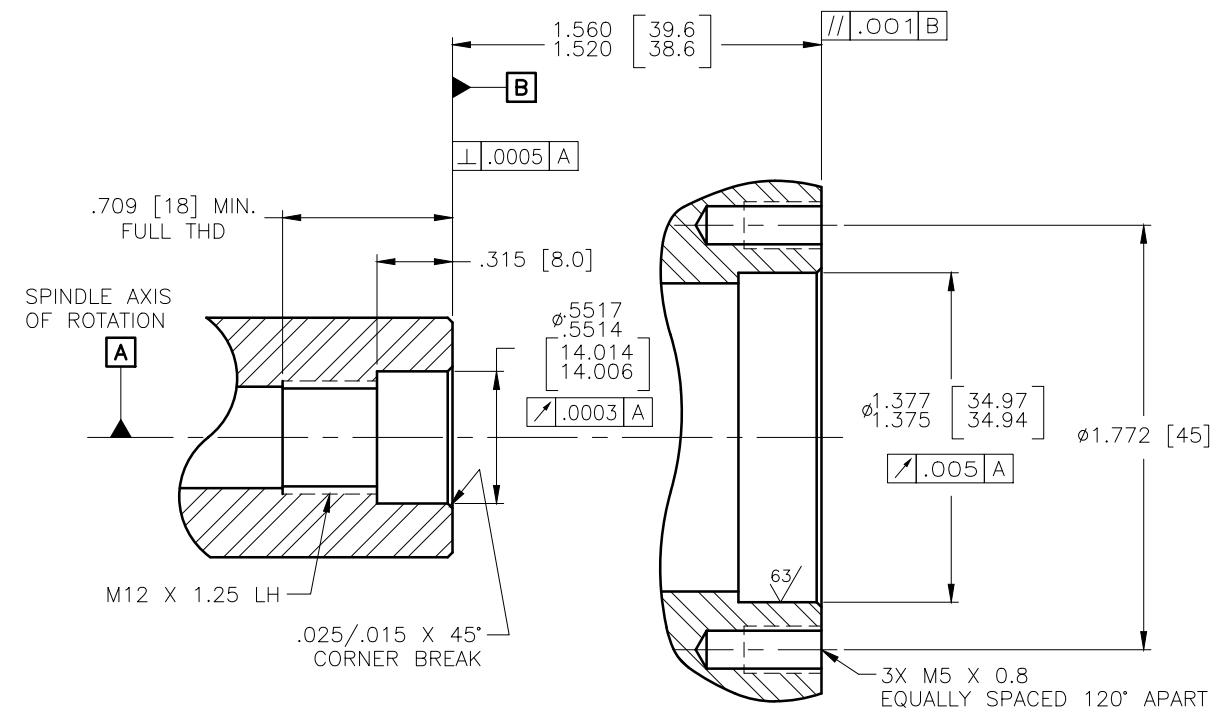
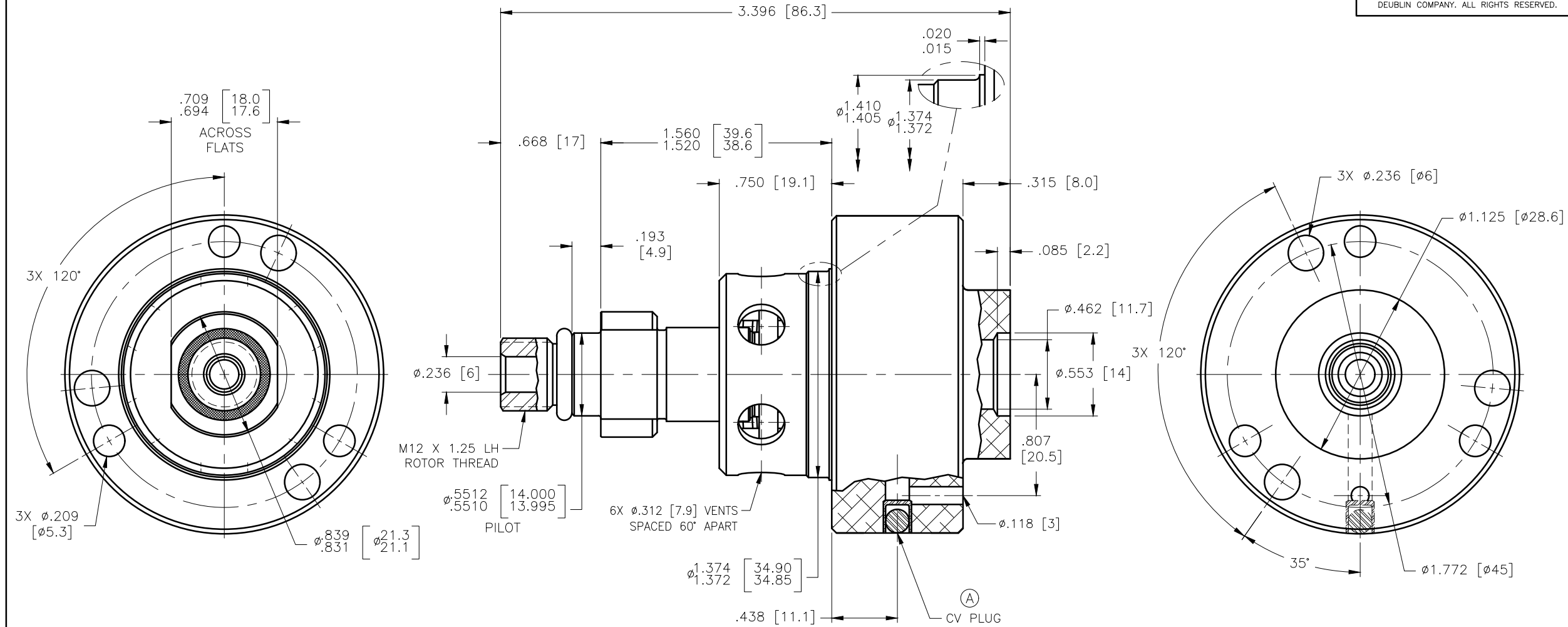


CONFIDENTIAL  
 THIS DOCUMENT CONTAINS CONFIDENTIAL AND PROPRIETARY INFORMATION OF DEUBLIN COMPANY. COPYING, USE, TRANSMISSION, DISTRIBUTION, AND DISCLOSURE ARE SUBJECT TO THE TERMS AND CONDITIONS CONTAINED IN YOUR AGREEMENT WITH DEUBLIN COMPANY. ALL RIGHTS RESERVED.



CUSTOMER INTERFACE REQUIREMENTS

OPERATING DATA				
MEDIA	WATER-BASED COOLANT			
MAX SPEED	30,000 RPM	30,000 RPM	30,000/min <sup>-1</sup>	30,000/min <sup>-1</sup>
MAX PRESSURE	2030 PSI	1000 PSI	140 bar	69 bar
MAX FLOW RATE	7.4 GPM		28 L/min	
SEAL ACTUATION REQUIRES:	MIN PRESSURE	15 PSI	1 bar	
	MIN FLOW RATE	1.5 GPM	5.7 L/min	
MAX TEMPERATURE	160°F		71°C	
RECOMMENDED CLEANLINESS OF MEDIA IN ACC. WITH ISO 4406	CLASS: 17/15/12			

SCALE	2:1	DWG SIZE	
DRN	NR	07/22/10	
ENGR	SS	07/22/10	
APPD	SS	07/22/10	
PART NO.	1139-035-327		
CUSTOMER			
LET.	REVISION	ECO	DATE

UNLESS SPECIFICALLY TOLERANCED, ALL DIMENSIONS ARE REFERENCE DIMENSIONS IN [ ] ARE IN MILLIMETERS.

**DEUBLIN COMPANY**  
 WAUKEGAN, ILLINOIS, U.S.A.

TITLE: INTERFACE CONTROL  
 DRAWING OF DEUBLIN UNION 1139-035-327

DWG NO. 1139-035-327  
 C.A.D. DRAWING