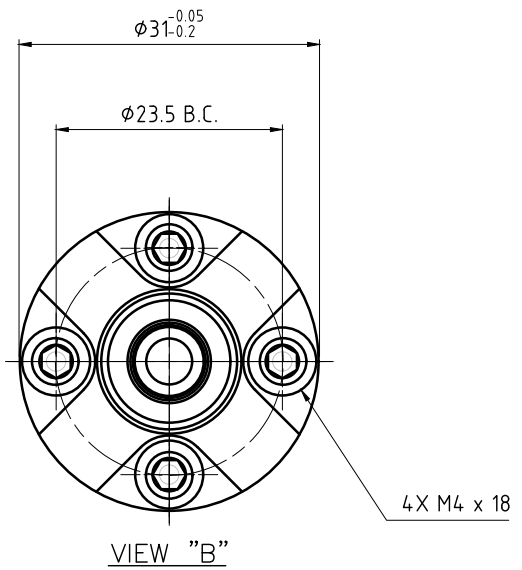
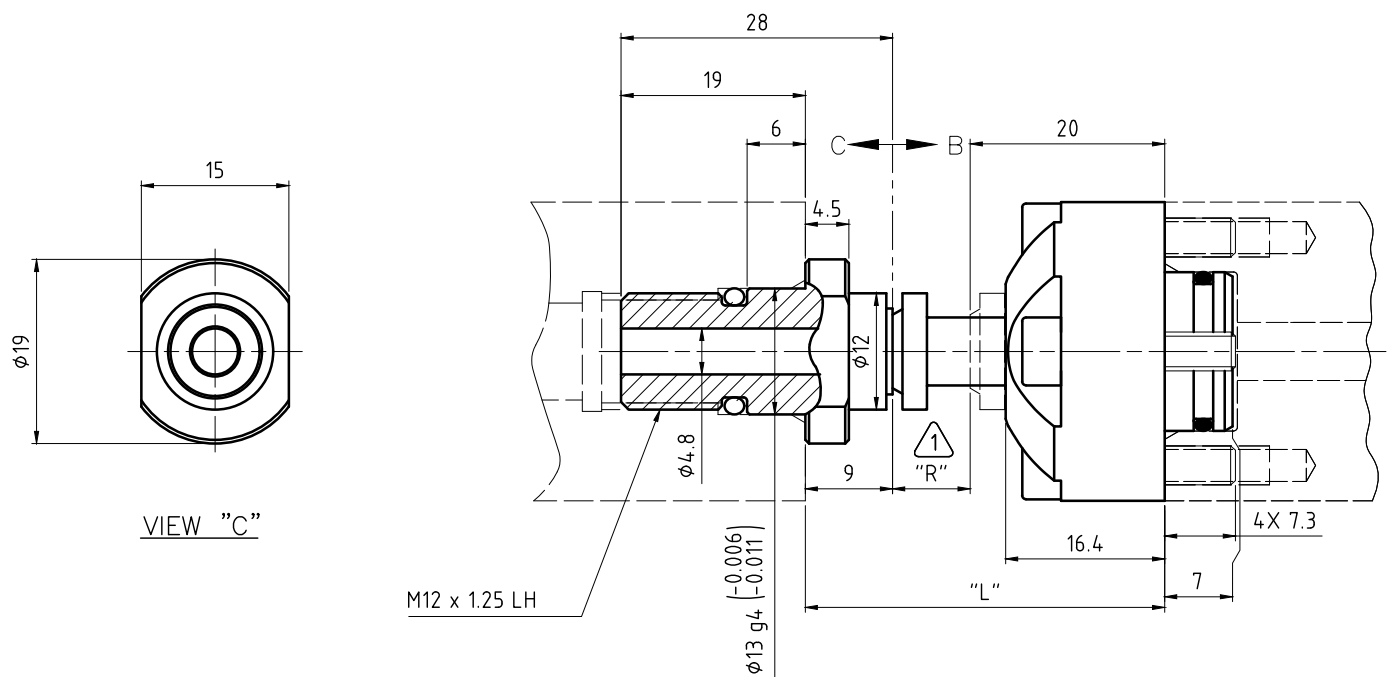


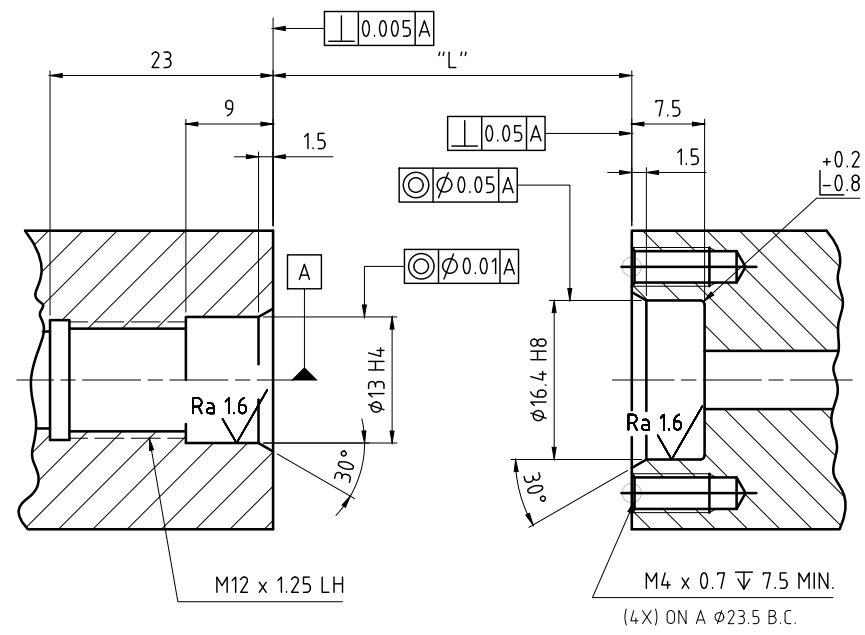
CONFIDENTIAL
THIS DOCUMENT CONTAINS CONFIDENTIAL AND PROPRIETARY INFORMATION OF DEUBLIN COMPANY. COPYING, USE, TRANSMISSION, DISTRIBUTION, AND DISCLOSURE ARE SUBJECT TO THE TERMS AND CONDITIONS CONTAINED IN YOUR AGREEMENT WITH DEUBLIN COMPANY. ALL RIGHTS RESERVED.

Ø16.4	H8	0	+0.027	16.427	16.4
Ø13	g4	-0.006	-0.011	12.994	12.989
Ø13	H4	0	+0.005	13.005	13
Dimen.	Fit				

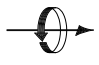

NOTES:
 - FLOATING SEAL ASSEMBLY ACTUATION DISTANCE.



"L" MOUNTING DIM. ±0.25mm	"R" WORKING RANGE (REF.)
37mm	8mm
34mm	5mm
32mm	3mm
30mm	1mm



OPERATING DATA			
MEDIA		COOLANT	MQL
PRESSURE	MAXIMUM	140 bar	10 bar
	MINIMUM	3 bar	3 bar
FLOW RATE	MAXIMUM	24.3 L/min	19.6 L/sec
	MINIMUM	3 L	6 L/sec
TEMPERATURE	MAXIMUM	71 °C	71 °C
	MINIMUM	5 °C	5 °C
MAXIMUM SPEED	50000 min ⁻¹		
AXIAL FORCE	3.8 N/bar		
DRY RUN	UNPRESSURIZED ONLY		

 DEUBLIN COMPANY WAUKEGAN, ILLINOIS, U.S.A.		PROJECTION: 	SCALE: 2:1 MATERIAL:
DATE: 07/20/2007 NAME: LG ENGR. APPD.		TITLE: INTERFACE CONTROL DRAWING DEUBLIN BEARINGLESS UNION	
B INCREASED MAX SPEED 002917 08/08 AL A REVISED CHART, PILOT 8665 10/07 JK ISSUE MODIFICATION ECO DATE SIGN		NO. 1151-002-140 SHEET	

UNLESS SPECIFICALLY TOLERANCED, ALL DIMENSIONS ARE CONSIDERED REFERENCE