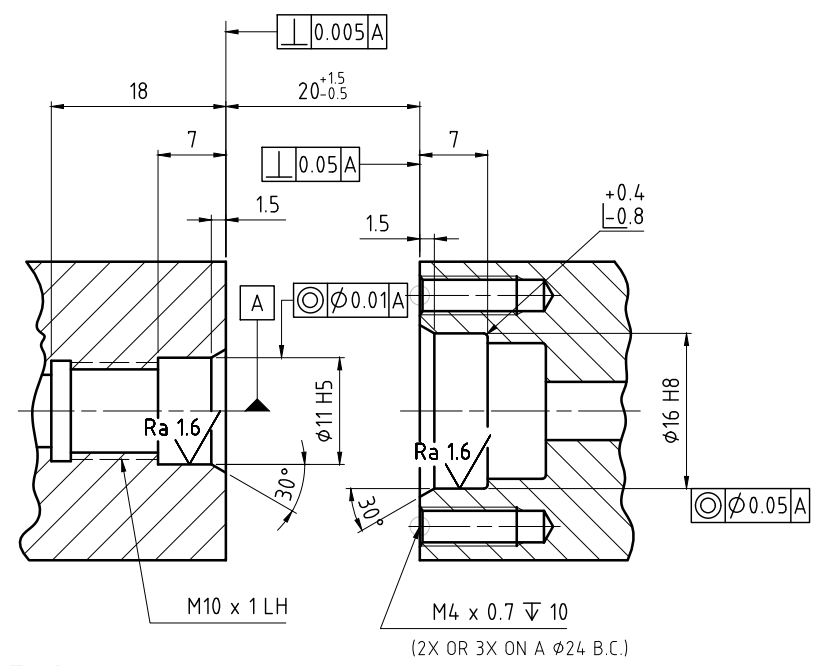
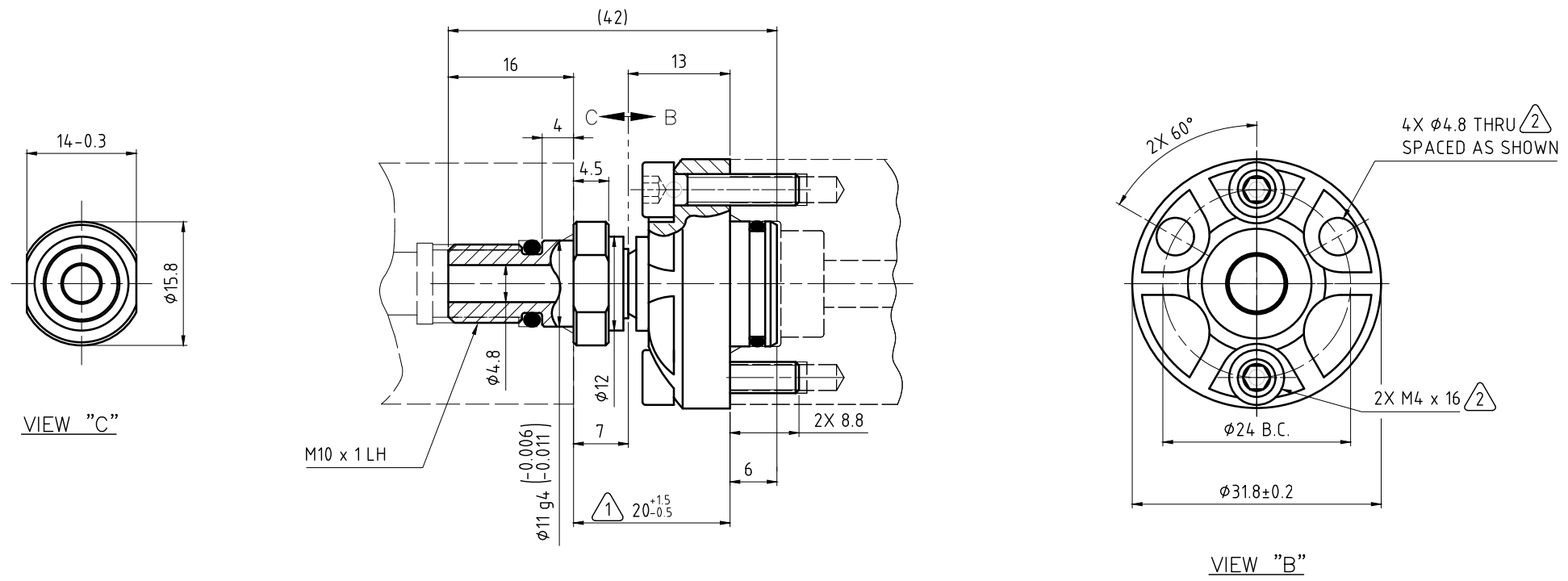


CONFIDENTIAL
THIS DOCUMENT CONTAINS CONFIDENTIAL AND PROPRIETARY INFORMATION OF DEUBLIN COMPANY. COPYING, USE, TRANSMISSION, DISTRIBUTION, AND DISCLOSURE ARE SUBJECT TO THE TERMS AND CONDITIONS CONTAINED IN YOUR AGREEMENT WITH DEUBLIN COMPANY. ALL RIGHTS RESERVED.

| | | | |
|--------|-----|----------------------|------------------|
| Ø16 | H8 | $+0.027$ 0 | 16.027 16 |
| Ø11 | g4 | -0.006 -0.011 | 10.994 10.989 |
| Ø11 | H5 | $+0.008$ 0 | 11.008 11 |
| Dimen. | Fit | | |

NOTES:

- 1 - UNION MOUNTING DISTANCE.
- 2 - UNION IS SUPPLIED WITH 3 BOLTS, 2 OR 3 MAY BE USED FOR MOUNTING.



| OPERATING DATA | | | |
|----------------|-------------------------|------------|------------|
| MEDIA | | COOLANT | MQL |
| PRESSURE | MAXIMUM | 140 bar | 10 bar |
| | MINIMUM | 3 bar | 3 bar |
| FLOW RATE | MAXIMUM | 24.3 L/min | 19.6 L/sec |
| | MINIMUM | 3 L | 6 L/sec |
| TEMPERATURE | MAXIMUM | 71 °C | 71 °C |
| | MINIMUM | 5 °C | 5 °C |
| MAXIMUM SPEED | 50000 min ⁻¹ | | |
| AXIAL FORCE | 3.8 N/bar | | |
| DRY RUN | UNPRESSURIZED ONLY | | |

| | | | |
|---|---|------------|---|
| DEUBLIN COMPANY WAUKEGAN, ILLINOIS, U.S.A. | PROJECTION: | SCALE: 2:1 | TITLE: INTERFACE CONTROL DRAWING DEUBLIN BEARINGLESS UNION |
| | | MATERIAL: | |
| | DATE: 08/04/2006 | NAME: LG | NO. 1151-020-127 |
| | ENGR. | | |
| | APPD. | | |
| G INCREASED MAX SPEED 002917 08/08 AL | UNLESS SPECIFICALLY TOLERANCED, ALL DIMENSIONS ARE CONSIDERED REFERENCE | | SHEET C |
| ISSUE MODIFICATION ECO DATE SIGN | | | |