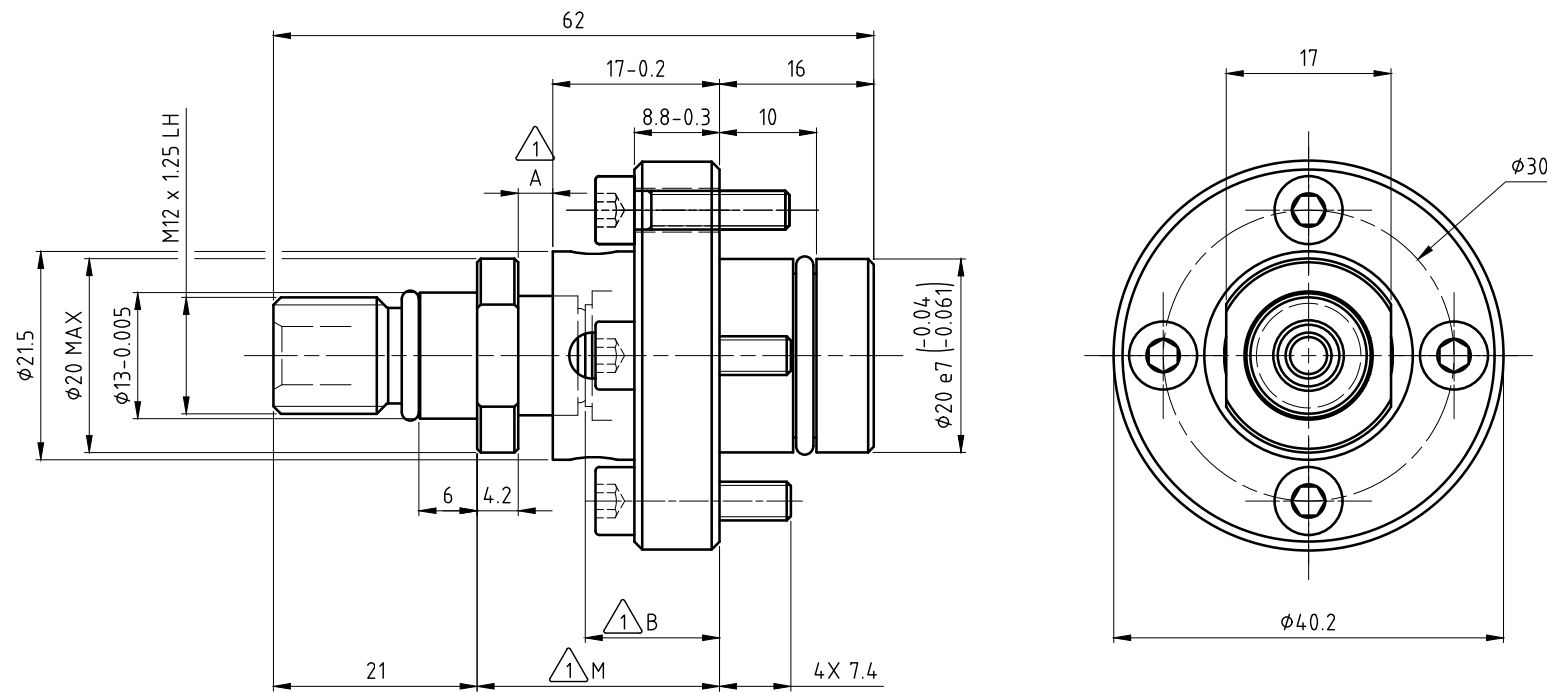


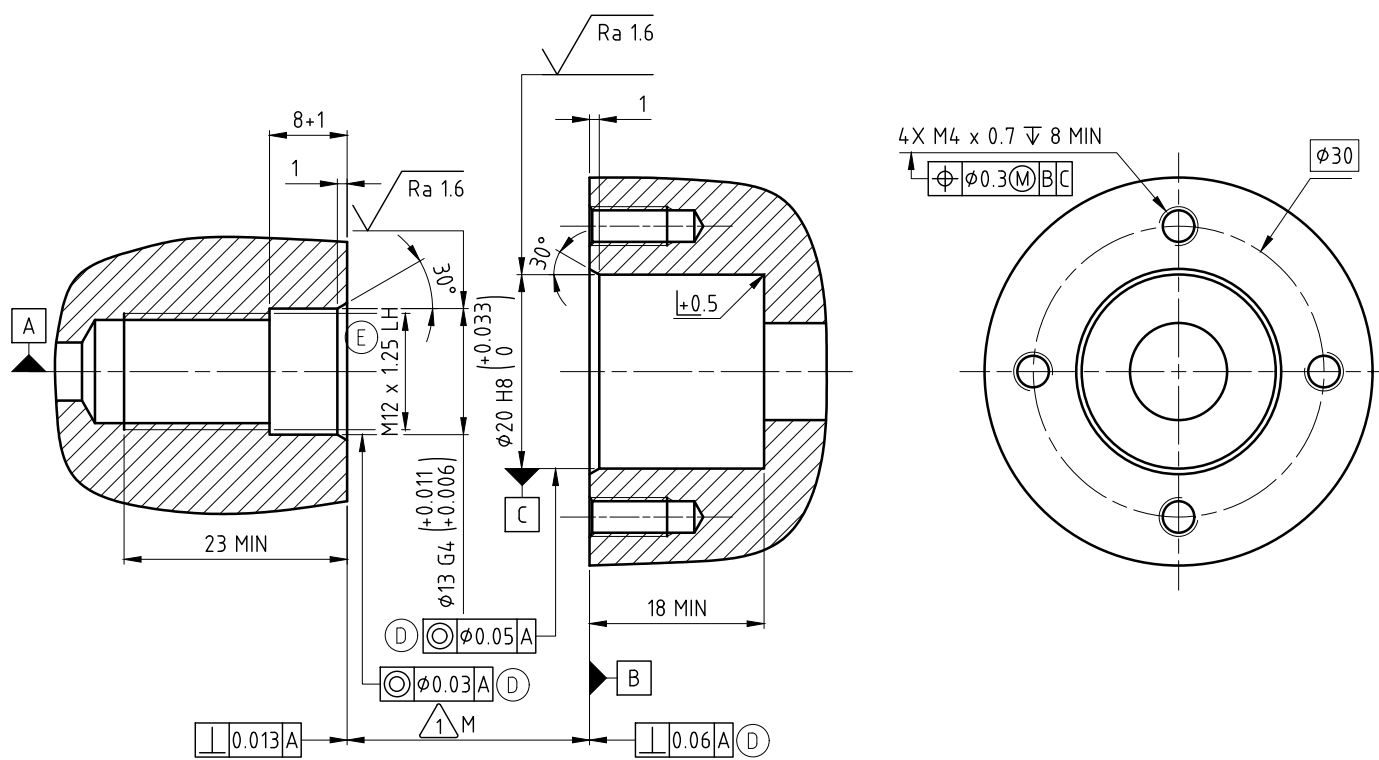
NOTES:

① - OPTIONAL MOUNTING DIMENSIONS FOR REFERENCE ONLY.



CUSTOMER INTERFACE

M	A (MIN)	B
23	1.2	10.8
24	2.2	11.8
25	3.2	12.8
26	4.2	13.8
27	5.2	14.8



OPERATING DATA				
MEDIA		COOLANT		MQL
MEDIA PRESSURE	MAXIMUM	140 bar	70 bar	10 bar
	MINIMUM	3 bar	3 bar	3 bar
FLOW RATE	MAXIMUM	24 L/min	24 L/min	1180 NL/min
	MINIMUM	5.7 L/min	5.7 L/min	-
TEMPERATURE	MAXIMUM	70 °C	70 °C	70 °C
	MINIMUM	5 °C	5 °C	5 °C
MAXIMUM SPEED		25000 min ⁻¹	50000 min ⁻¹	46000 min ⁻¹
AXIAL FORCE		5.5 N/bar		
DRY RUN		UNPRESSURIZED ONLY		
RECOMMENDED FILTRATION		ISO 4406 CLASS 17/15/12		

		PROJECTION:	SCALE: 2:1			
		DATE	MATERIAL: INTERFACE CONTROL DRAWING			
		NAME	TITLE: DEUBLIN BEARINGLESS UNION			
		DRN. 05/14/2008				
		ENGR. 06/12/2008				
		APPD.				
E	CUST THD WAS RH	033710	06/15	LG	NO. 1151-030-137-IC	SHEET A2
D	REVISED LIMS	025965	11/13	AL		
ISSUE	MODIFICATION	ECO	DATE	SIGN		

UNLESS SPECIFICALLY TOLERANCED, ALL DIMENSIONS ARE CONSIDERED REFERENCE