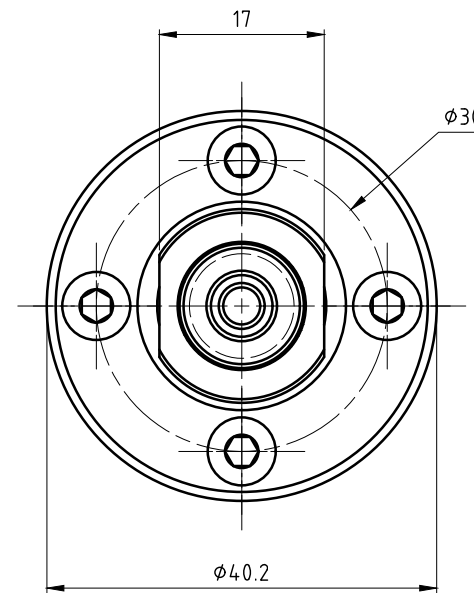
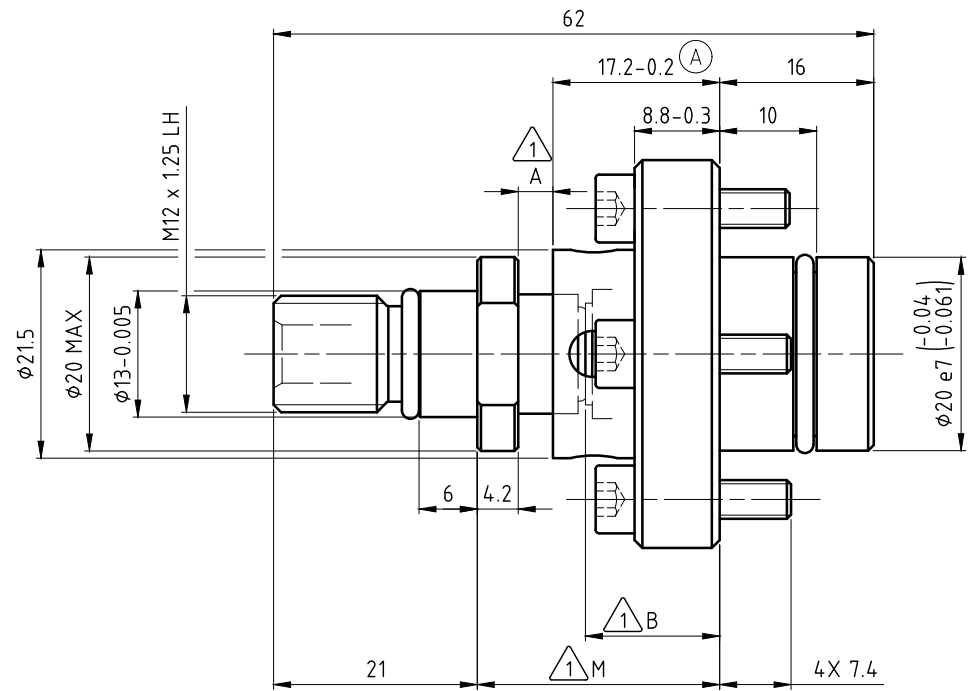


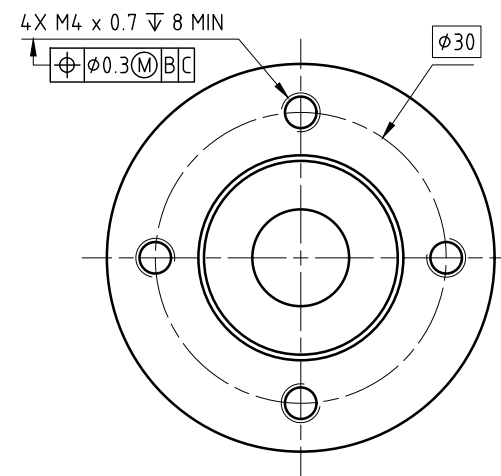
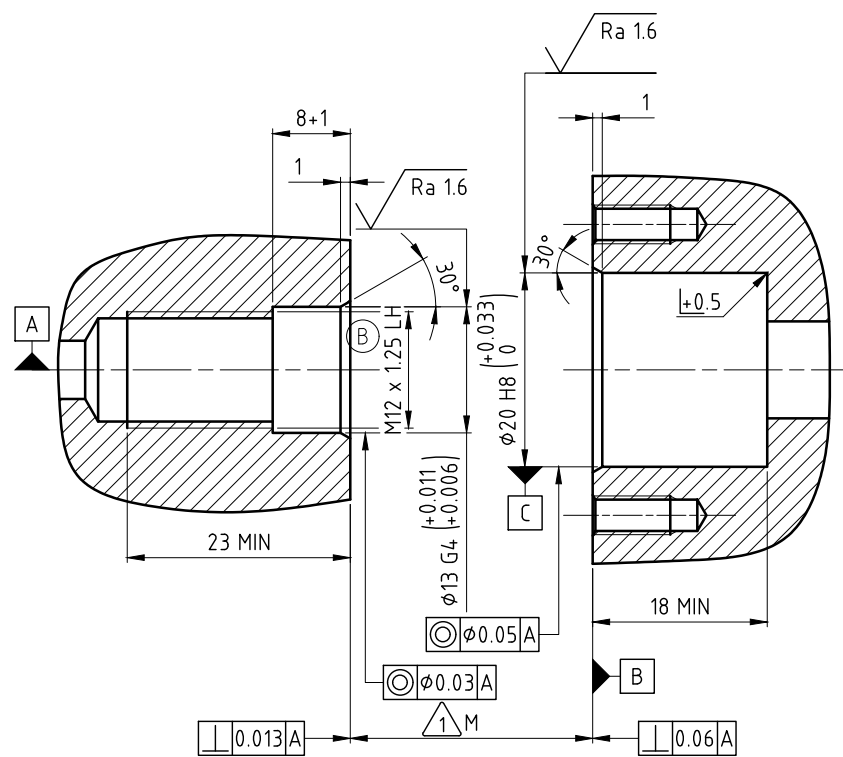
NOTES:

- 1 - OPTIONAL MOUNTING DIMENSIONS FOR REFERENCE ONLY.
- 2 - THIS MODEL HAS NO POP-OFF SPRING AND IS SUITABLE FOR HORIZONTAL APPLICATIONS ONLY. USE IN VERTICAL MACHINES MAY REDUCE LIFE.



M	A (MIN)	B
23	1.2	10.8
24	2.2	11.8
25	3.2	12.8
26	4.2	13.8
27	5.2	14.8

CUSTOMER INTERFACE



OPERATING DATA				
MEDIA		COOLANT		MQL
MEDIA PRESSURE	MAXIMUM	140 bar	70 bar	10 bar
	MINIMUM	3 bar	3 bar	3 bar
FLOW RATE	MAXIMUM	24 L/min	24 L/min	1180 NL/min
	MINIMUM	5.7 L/min	5.7 L/min	-
TEMPERATURE	MAXIMUM	70 °C	70 °C	70 °C
	MINIMUM	5 °C	5 °C	5 °C
MAXIMUM SPEED		25000 min ⁻¹	50000 min ⁻¹	46000 min ⁻¹
AXIAL FORCE		5.5 N/bar		
DRY RUN		UNPRESSURIZED ONLY		
RECOMMENDED FILTRATION		ISO 4406 CLASS 17/15/12		



SCALE: 2:1
 MATERIAL: INTERFACE CONTROL DRAWING

NO.	DATE	NAME	TITLE
B	03/17/10	LG	DRN.
A	01/15/14	RM	ENGR.
NONE	01/14/14	LG	APPD.
ISSUE	ECO	DATE	SIGN

TITLE: DEUBLIN BEARINGLESS UNION
 NO. 1151-031-137
 SHEET A2

UNLESS SPECIFICALLY TOLERANCED, ALL DIMENSIONS ARE CONSIDERED REFERENCE