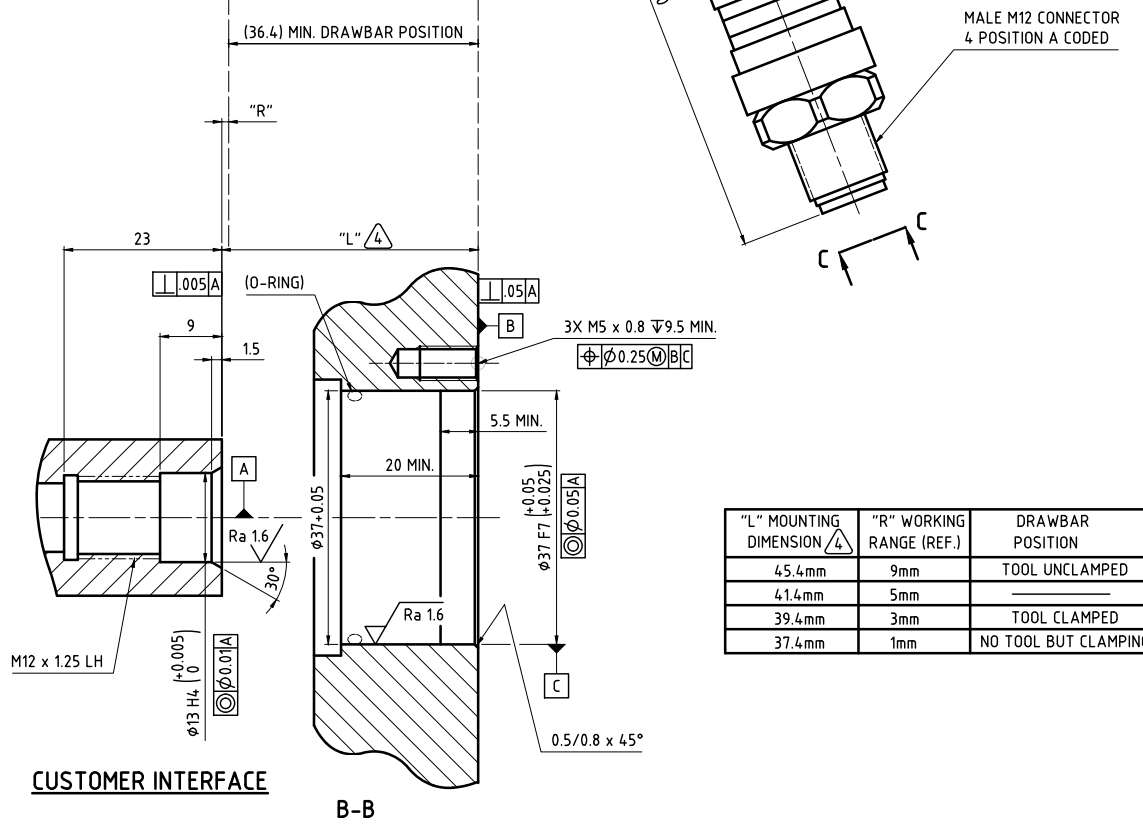
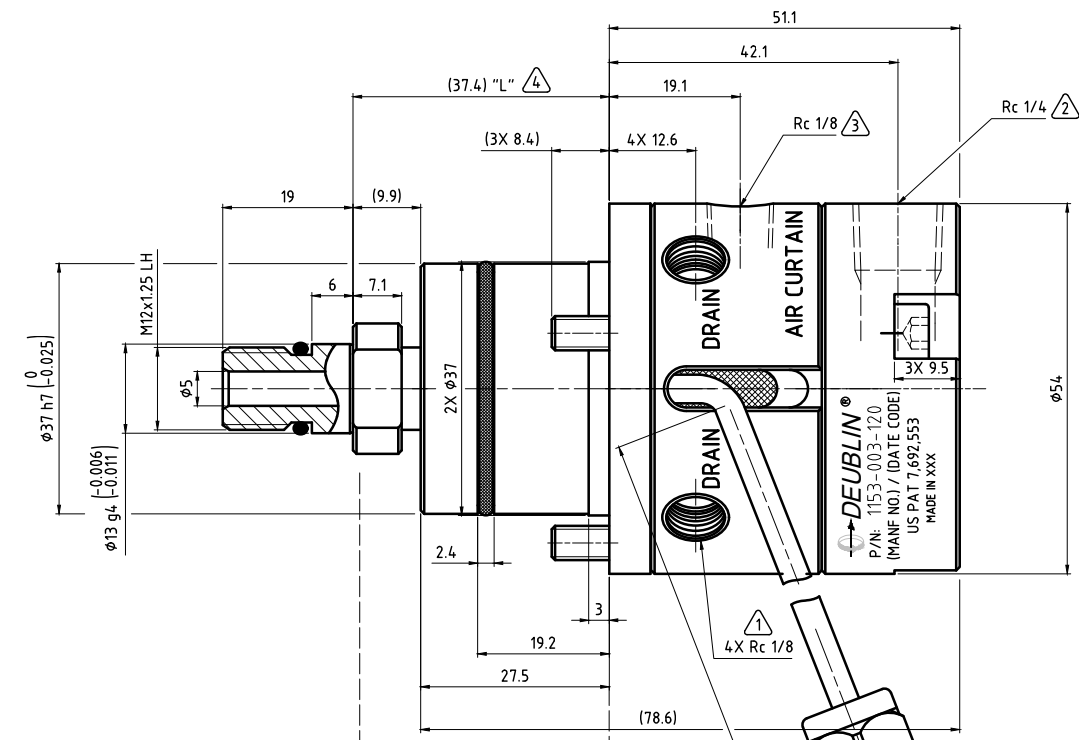
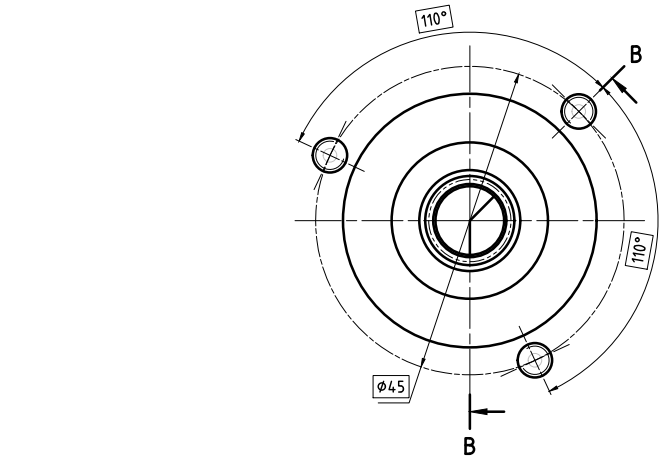
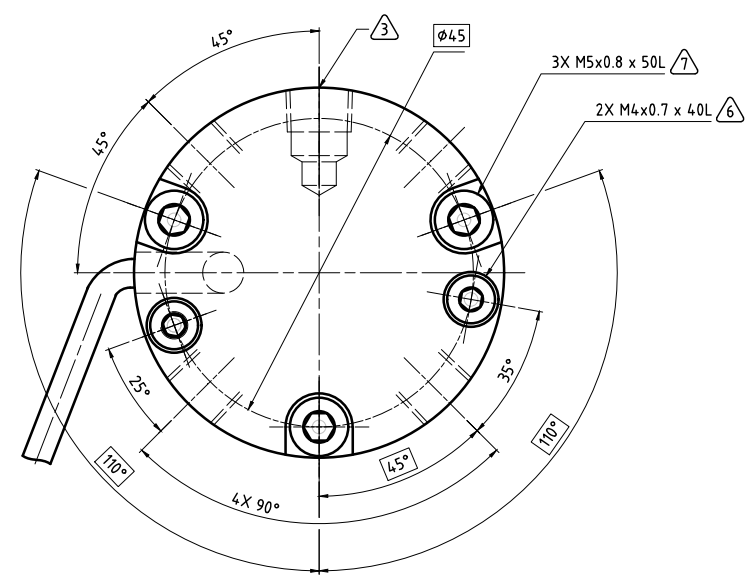


NOTES:

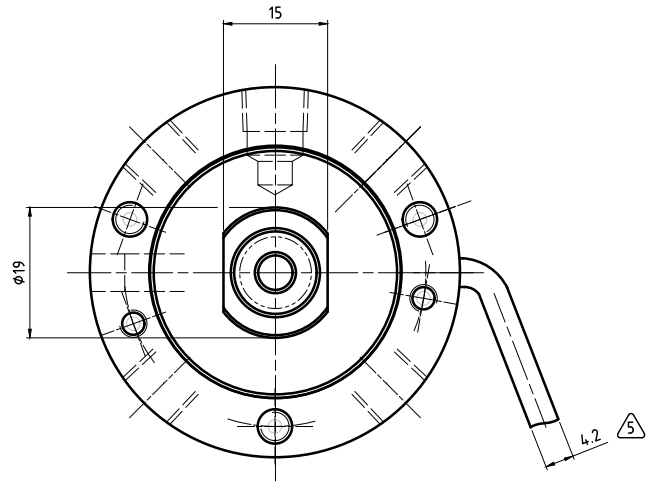
- △ - DRAIN PASSAGE.
- △ - MEDIA PASSAGE (COOLANT/AIR).
- △ - AIR CURTAIN.
- △ - MOUNTING DIMENSION: SEE CHART FOR RANGE OF DIMENSIONS BASED ON DRAWBAR TRAVEL.
- Ⓚ - CABLE DIMENSIONS:  $\phi 4.2\text{mm} \times 1060 \pm 100\text{mm}$  LONG WITH M12x1 MALE CONNECTOR. BEND RADIUS OF CABLE IS 21mm MINIMUM.
- △ - M4 SCREWS FOR INTERNAL ASSEMBLY ONLY.
- △ - 3X M5 SCREWS FOR CUSTOMER MOUNTING SUPPLIED BY DEUBLIN.



"L" MOUNTING DIMENSION	"R" WORKING RANGE (REF.)	DRAWBAR POSITION
45.4mm	9mm	TOOL UNCLAMPED
41.4mm	5mm	
39.4mm	3mm	TOOL CLAMPED
37.4mm	1mm	NO TOOL BUT CLAMPING

C-C

CONNECTOR PIN	CABLE WIRE
PIN 1	+24 VDC - YELLOW
PIN 2	TEST - BROWN
PIN 3	GROUND - GREEN
PIN 4	SIGNAL - WHITE



PATENT #7,692,553

**SPINDLESHIELD™ DATA**

OPERATING DATA	INPUTS		OUTPUT
	Vcc*	Test	Signal**
NORMAL OPERATION	+24 VDC	NOT CONNECTED	+24 VDC
LEAK DETECTED	+24 VDC	NOT CONNECTED	0 VDC
SENSOR TEST MODE	+24 VDC	CONNECTED TO GND	0 VDC
OPEN CIRCUIT SIGNAL WIRE	+24 VDC	NOT CONNECTED	0 VDC
OPEN CIRCUIT POWER WIRE	NOT CONNECTED	NOT CONNECTED	0 VDC

Recommended load current  $\leq 50\text{mA}$   
 \*24 VDC normal, 15 VDC minimum, 28 VDC maximum.  
 \*\*Signal wire output is Vcc minus 0.8 VDC minimum.

**OPERATING DATA**

MEDIA	COOLANT	MQL
MEDIA PRESSURE	MAXIMUM 140 bar MINIMUM 3 bar	10 bar 3 bar
FLOW RATE	MAXIMUM 25.7 L/min MINIMUM 3 L/min	19.6 NL/min 6 NL/min
TEMPERATURE	MAXIMUM 71 °C (D) MINIMUM 5 °C	71 °C (D) 5 °C
MAXIMUM SPEED	40000 min <sup>-1</sup>	40000 min <sup>-1</sup>
AXIAL FORCE		-
DRY RUN		YES
RECOMMENDED FILTRATION		ISO 4406 CLASS 17/15/12

**DEUBLIN**  
Engineered for Performance

PROJECTION	SCALE: 2:1	MATERIAL: INTERFACE CONTROL DRAWING
DATE	NAME	TITLE: DEUBLIN UNION, BEARINGLESS WITH LEAK SENSOR
DRN: 11/16/2015	galindolm	
ENGR: 11/20/2015	lfreed	
NO. 1153-003-120-IC	SHEET A2	

UNLESS SPECIFICALLY TOLERANCED, ALL DIMENSIONS ARE CONSIDERED REFERENCE.