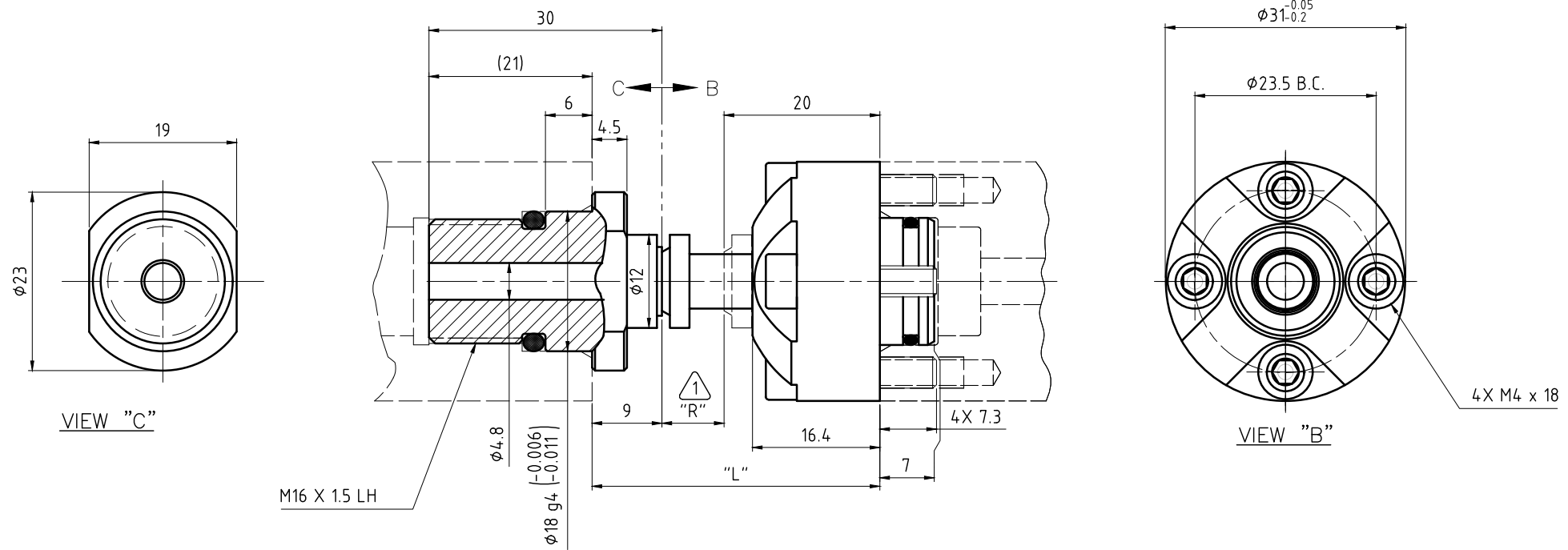


CONFIDENTIAL
THIS DOCUMENT CONTAINS CONFIDENTIAL AND PROPRIETARY INFORMATION OF DEUBLIN COMPANY. COPYING, USE, TRANSMISSION, DISTRIBUTION, AND DISCLOSURE ARE SUBJECT TO THE TERMS AND CONDITIONS CONTAINED IN YOUR AGREEMENT WITH DEUBLIN COMPANY. ALL RIGHTS RESERVED.

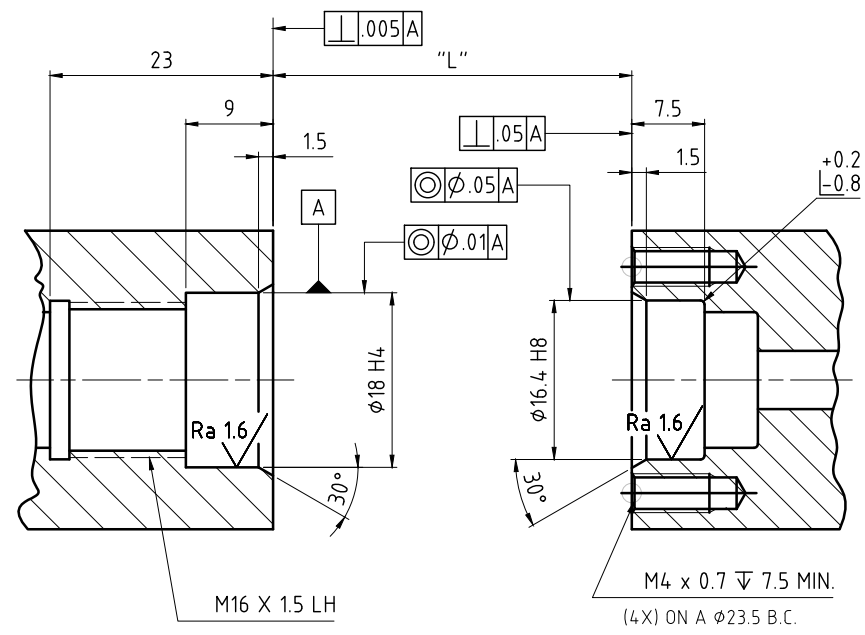
Ø18	g4	-0.006 -0.011	17.994 17.989
Ø18	H4	+0.005 0	18.005 18
Ø16.4	H8	+0.027 0	16.427 16.4
Dimen.	Fit		

NOTES:

- 1 - FLOATING SEAL ASSEMBLY ACTUATION DISTANCE.
- 2 - MQL AND AIR FUNCTION IN A CONTROLLED LEAKAGE CONDITION.



"L" MOUNTING DIM. ±0.25mm	"R" WORKING RANGE (REF.)
37mm	8mm
34mm	5mm
32mm	3mm
30mm	1mm



OPERATING DATA			
MEDIA		COOLANT	MQL OR AIR
PRESSURE	MAXIMUM	140 bar	10 bar
	MINIMUM	3 bar	3 bar
FLOW RATE	MAXIMUM	24.3 L/min	19.6 L/sec
	MINIMUM	3 L/min	6 L/sec
TEMPERATURE	MAXIMUM	71 °C	71 °C
	MINIMUM	5 °C	5 °C
MAXIMUM SPEED		50000 min ⁻¹	50000 min ⁻¹
AXIAL FORCE		3.8 N/bar	
DRY RUN		YES	

DEUBLIN COMPANY WAUKEGAN, ILLINOIS, U.S.A.		PROJECTION: 	SCALE: 2:1 MATERIAL:
DRN. 10/13/2006 ENGR. LG APPD.		DATE NAME LG	TITLE: INTERFACE CONTROL DRAWING DEUBLIN BEARINGLESS UNION
B INCREASED MAX SPEED 002917 08/08 AL A REVISED CHART, PILOT 8665 10/07 JK ISSUE MODIFICATION ECO DATE SIGN		NO. 1154-002-133	SHEET