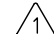

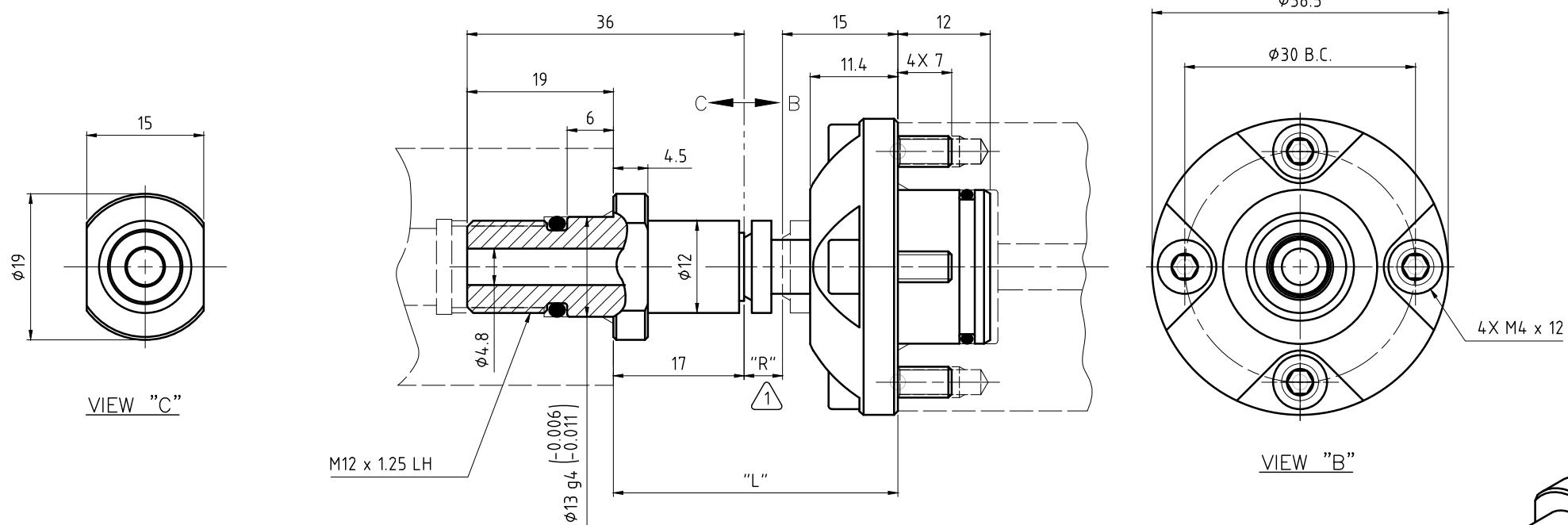


CONFIDENTIAL  
THIS DOCUMENT CONTAINS CONFIDENTIAL AND PROPRIETARY INFORMATION OF DEUBLIN COMPANY. COPYING, USE, TRANSMISSION, DISTRIBUTION, AND DISCLOSURE ARE SUBJECT TO THE TERMS AND CONDITIONS CONTAINED IN YOUR AGREEMENT WITH DEUBLIN COMPANY. ALL RIGHTS RESERVED.

|                  |     |                  |                  |
|------------------|-----|------------------|------------------|
| $\varnothing 20$ | H8  | +0.033<br>0      | 20.033<br>20     |
| $\varnothing 13$ | g4  | -0.006<br>-0.011 | 12.994<br>12.989 |
| $\varnothing 13$ | H4  | +0.005<br>0      | 13.005<br>13     |
| Dimen.           | Fit |                  |                  |

NOTES:

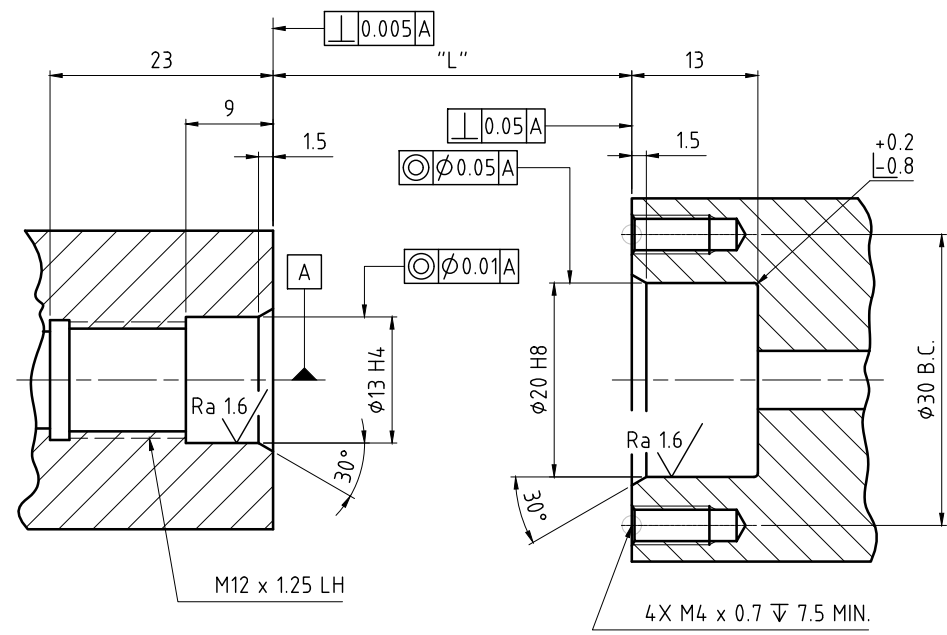
-  - FLOATING SEAL ASSEMBLY ACTUATION DISTANCE.
-  - MQL AND AIR FUNCTION IN A CONTROLLED LEAKAGE CONDITION.



M12 x 1.25 LH

$\varnothing 13\ g4\ (-0.006/-0.011)$


| "L" MOUNTING DIM. $\pm 0.25\text{mm}$ | "R" WORKING RANGE (REF.) |
|---------------------------------------|--------------------------|
| 40mm                                  | 8mm                      |
| 37mm                                  | 5mm                      |
| 35mm                                  | 3mm                      |
| 33mm                                  | 1mm                      |




M12 x 1.25 LH


4X M4 x 0.7  $\nabla$  7.5 MIN.

CUSTOMER INTERFACE

**OPERATING DATA** 

| MEDIA         |         | COOLANT                 | MQL OR AIR              |
|---------------|---------|-------------------------|-------------------------|
| PRESSURE      | MAXIMUM | 140 bar                 | 10 bar                  |
|               | MINIMUM | 3 bar                   | 3 bar                   |
| FLOW RATE     | MAXIMUM | 24.3 L/min              | 19.6 L/sec              |
|               | MINIMUM | 3 L/min                 | 6 L/sec                 |
| TEMPERATURE   | MAXIMUM | 71 °C                   | 71 °C                   |
|               | MINIMUM | 5 °C                    | 5 °C                    |
| MAXIMUM SPEED |         | 50000 min <sup>-1</sup> | 50000 min <sup>-1</sup> |
| AXIAL FORCE   |         | 3.8 N/bar               |                         |
| DRY RUN       |         | YES                     |                         |

 **DEUBLIN COMPANY**  
WAUKEGAN, ILLINOIS, U.S.A.

PROJECTION: 

| DATE       | NAME |
|------------|------|
| 03/28/2006 | LG   |
| ENGR.      |      |
| APPD.      |      |

SCALE: 2:1  
MATERIAL:

TITLE: **INTERFACE CONTROL DRAWING  
DEUBLIN BEARINGLESS UNION**

NO. **1154-003-107**

UNLESS SPECIFICALLY TOLERANCED, ALL DIMENSIONS ARE CONSIDERED REFERENCE

| ISSUE | MODIFICATION        | ECO    | DATE  | AL | SIGN |
|-------|---------------------|--------|-------|----|------|
| E     | INCREASED MAX SPEED | 002917 | 08/08 | AL |      |

SHEET