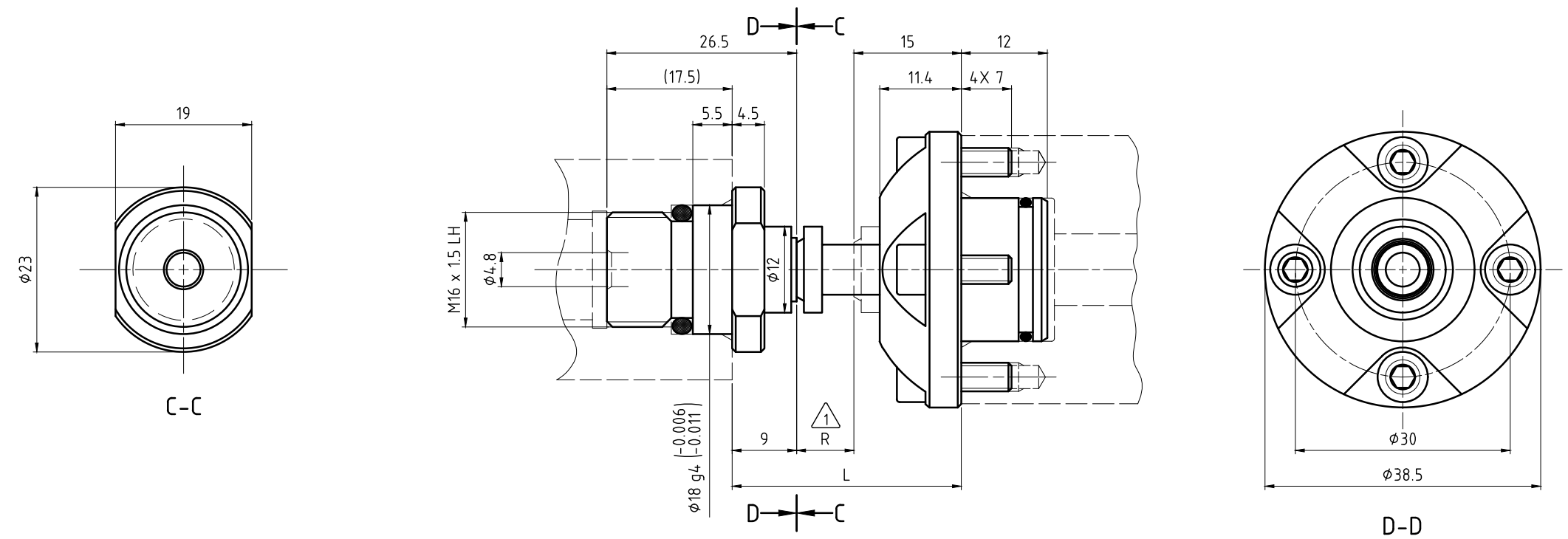


CONFIDENTIAL THIS DOCUMENT CONTAINS CONFIDENTIAL AND PROPRIETARY INFORMATION OF DEUBLIN COMPANY. COPYING, USE, TRANSMISSION, DISTRIBUTION, AND DISCLOSURE ARE SUBJECT TO THE TERMS AND CONDITIONS CONTAINED IN YOUR AGREEMENT WITH DEUBLIN COMPANY. ALL RIGHTS RESERVED.			
Ø20	H8	+0.033 0	20.033 20
Ø13	g4	-0.006 -0.011	12.994 12.989
Ø13	H4	+0.005 0	13.005 13
Dimen.	Fit		

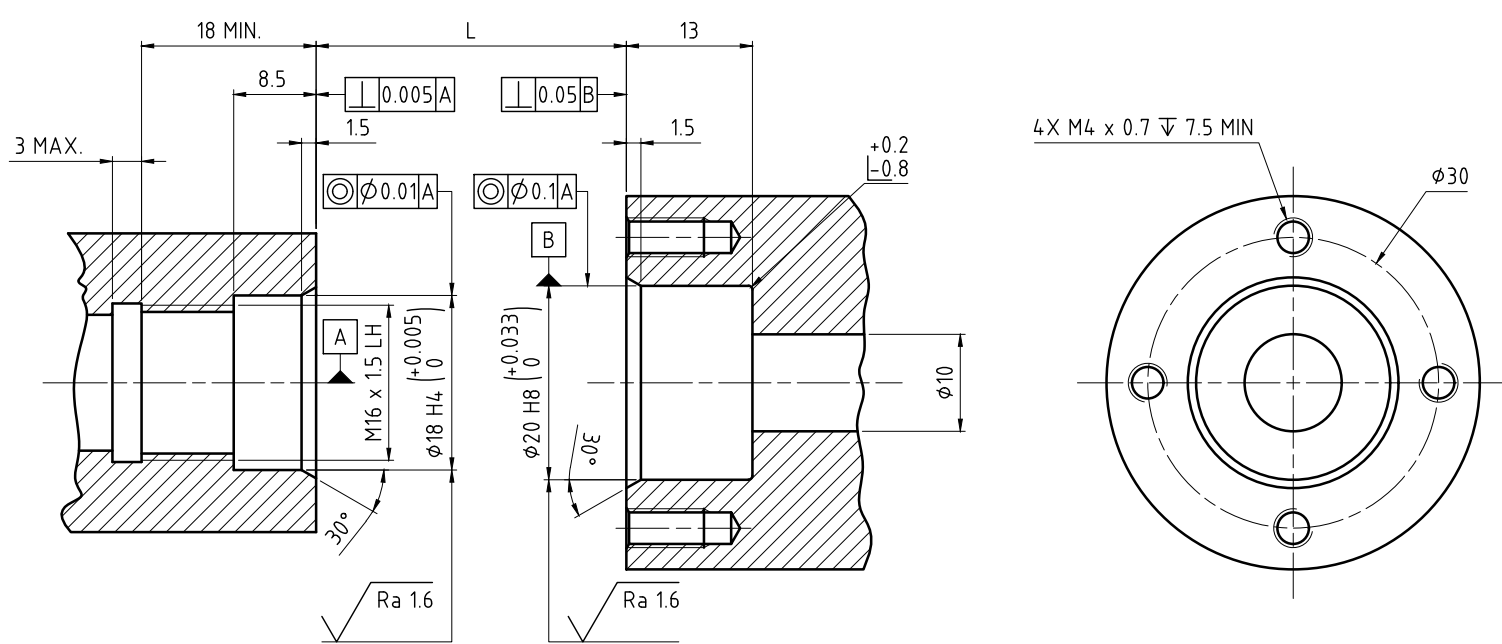
NOTES:

- 1 - FLOATING SEAL ASSEMBLY ACTUATION DISTANCE.
- 2 - AIR AND MQL FUNCTION IN A CONTROLLED LEAKAGE CONDITION.



MOUNTING DIMENSION 'L' ±0.25	ACTUATION DISTANCE 'R'
32 mm	8 mm
29 mm	5 mm
27 mm	3 mm
25 mm	1 mm

CUSTOMER INTERFACE



OPERATING DATA			
MEDIA		COOLANT	△ AIR OR MQL
PRESSURE	MAXIMUM	140 bar	10 bar
	MINIMUM	3 bar	3 bar
FLOW RATE	MAXIMUM	24.3 L/min	19.6 L/sec
	MINIMUM	3 L/min	6 L/sec
TEMPERATURE	MAXIMUM	70 °C	70 °C
	MINIMUM	5 °C	5 °C
MAXIMUM SPEED		50000 min ⁻¹	50000 min ⁻¹
AXIAL FORCE		3.8 N/bar	
DRY RUN		UNLIMITED	

	PROJECTION:	SCALE: 2:1	MATERIAL: INTERFACE CONTROL DRAWING
	DATE	NAME	
DRN. 06/25/2015 lgalindo			
ENGR. 06/30/2015 L.Freed			
APPD.			
UNLESS SPECIFICALLY TOLERANCED, ALL DIMENSIONS ARE CONSIDERED REFERENCE			NO. 1154-003-163
ISSUE	MODIFICATION	ECO	DATE
			SIGN
			SHEET A2