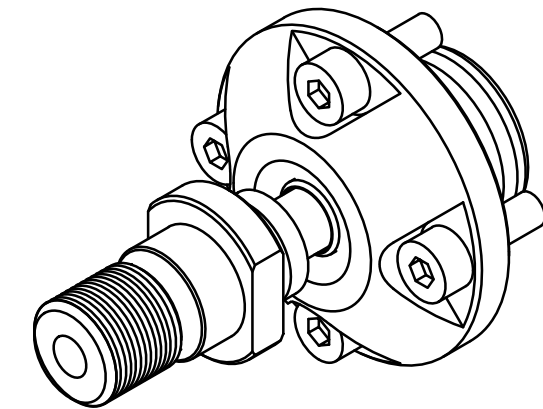
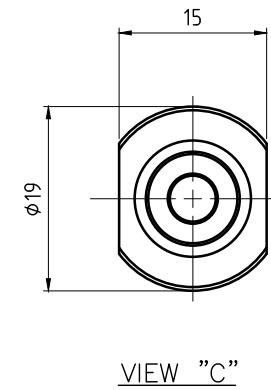
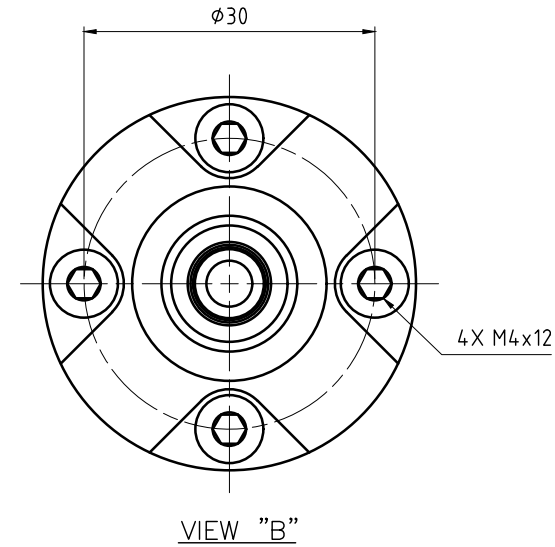
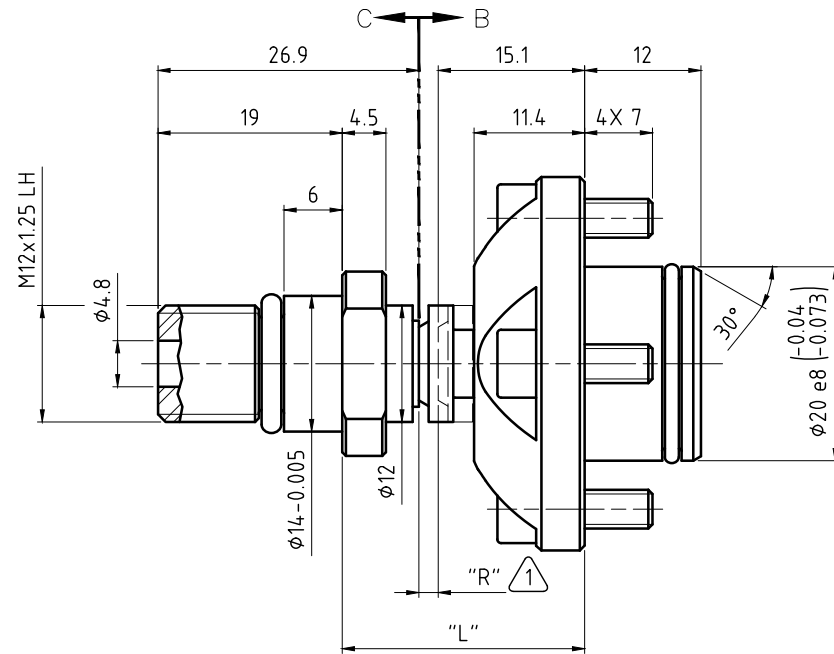
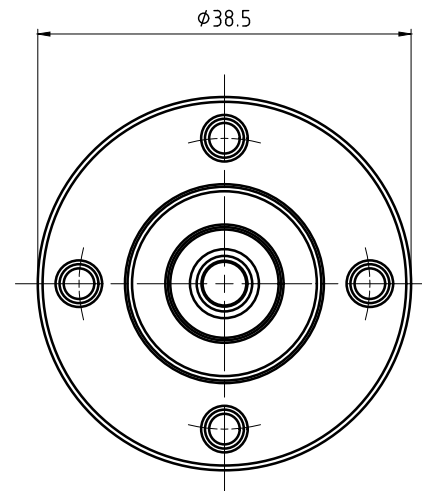


CONFIDENTIAL  
 THIS DOCUMENT CONTAINS CONFIDENTIAL AND PROPRIETARY INFORMATION OF DEUBLIN COMPANY. COPYING, USE, TRANSMISSION, DISTRIBUTION, AND DISCLOSURE ARE SUBJECT TO THE TERMS AND CONDITIONS CONTAINED IN YOUR AGREEMENT WITH DEUBLIN COMPANY. ALL RIGHTS RESERVED.

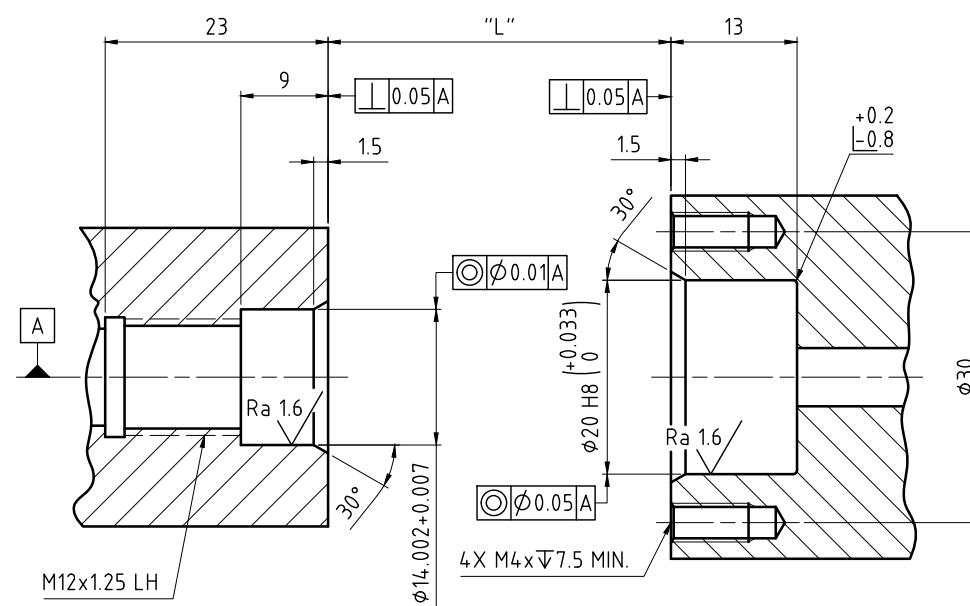
φ20	e8	-0.04 -0.073	19.96 19.927
φ20	H8	+0.033 0	20.033 20
Dimen.	Fit		

NOTES:

- 1 - FLOATING SEAL ASSEMBLY ACTUATION DISTANCE.
- 2 - MQL AND AIR FUNCTION IN A CONTROLLED LEAKAGE CONDITION.



"L" MOUNTING DIM. ±0.25mm	"R" WORKING RANGE (REF.)
31mm	8mm
29mm	6mm
27mm	4mm
25mm	2mm



CUSTOMER INTERFACE

OPERATING DATA			
MEDIA		COOLANT	MQL OR AIR
PRESSURE	MAXIMUM	140 bar	10 bar
	MINIMUM	3 bar	3 bar
FLOW RATE	MAXIMUM	24.3 L/min	19.6 L/sec
	MINIMUM	3 L/min	6 L/sec
TEMPERATURE	MAXIMUM	71 °C	71 °C
	MINIMUM	5 °C	5 °C
MAXIMUM SPEED		50000 min <sup>-1</sup>	50000 min <sup>-1</sup>
AXIAL FORCE		3.8 N/bar	
DRY RUN		YES	

	PROJECTION:	SCALE: 2:1	MATERIAL: INTERFACE CONTROL DRAWING
	DATE	NAME	TITLE:
	DRN: 06/07/16	N. Reyna	DEUBLIN BEARINGLESS UNION
	ENGR: 06/07/16	M. Clifford	
	APPD:		
UNLESS SPECIFICALLY TOLERANCED, ALL DIMENSIONS ARE CONSIDERED REFERENCE			NO. 1154-003-327
ISSUE	MODIFICATION	ECO	DATE
			SIGN
			SHEET A2