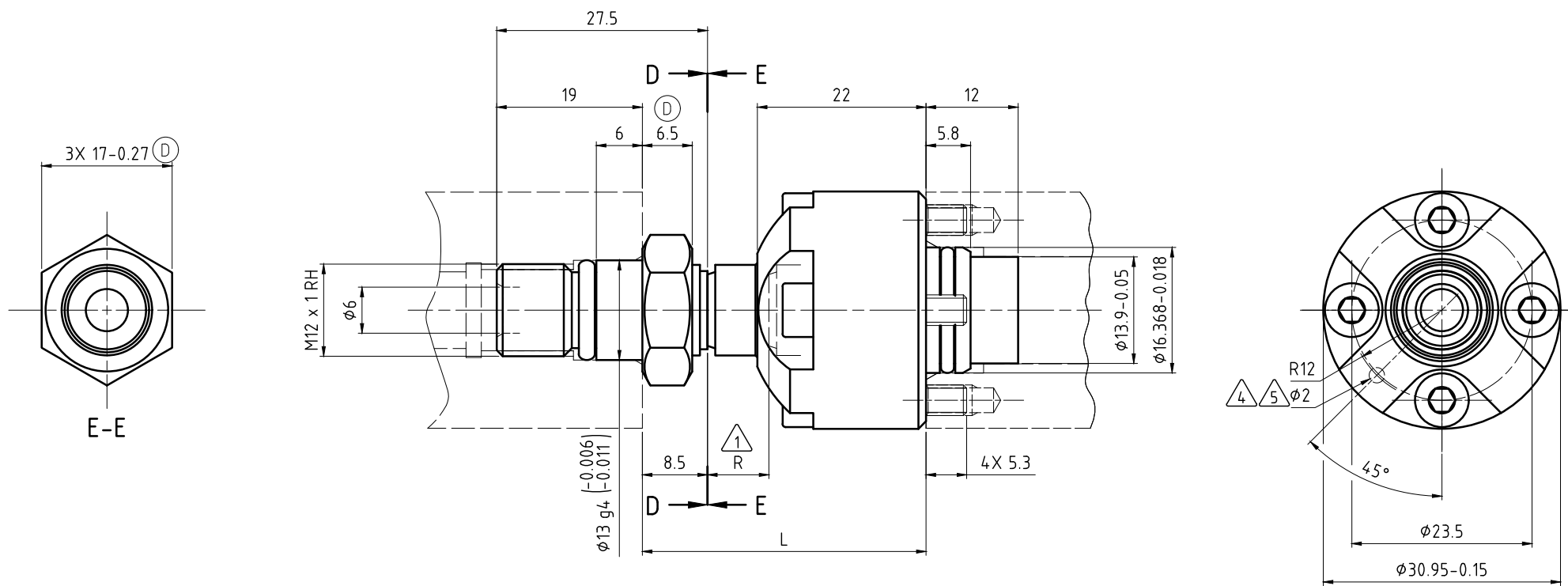


CONFIDENTIAL THIS DOCUMENT CONTAINS CONFIDENTIAL AND PROPRIETARY INFORMATION OF DEUBLIN COMPANY. COPYING, USE, TRANSMISSION, DISTRIBUTION, AND DISCLOSURE ARE SUBJECT TO THE TERMS AND CONDITIONS CONTAINED IN YOUR AGREEMENT WITH DEUBLIN COMPANY. ALL RIGHTS RESERVED.			
Ø16.4	H8	+0.027 0	16.427 16.4
Ø13	g4	-0.006 -0.011	12.994 12.989
Dimen.	Fit		

NOTES:

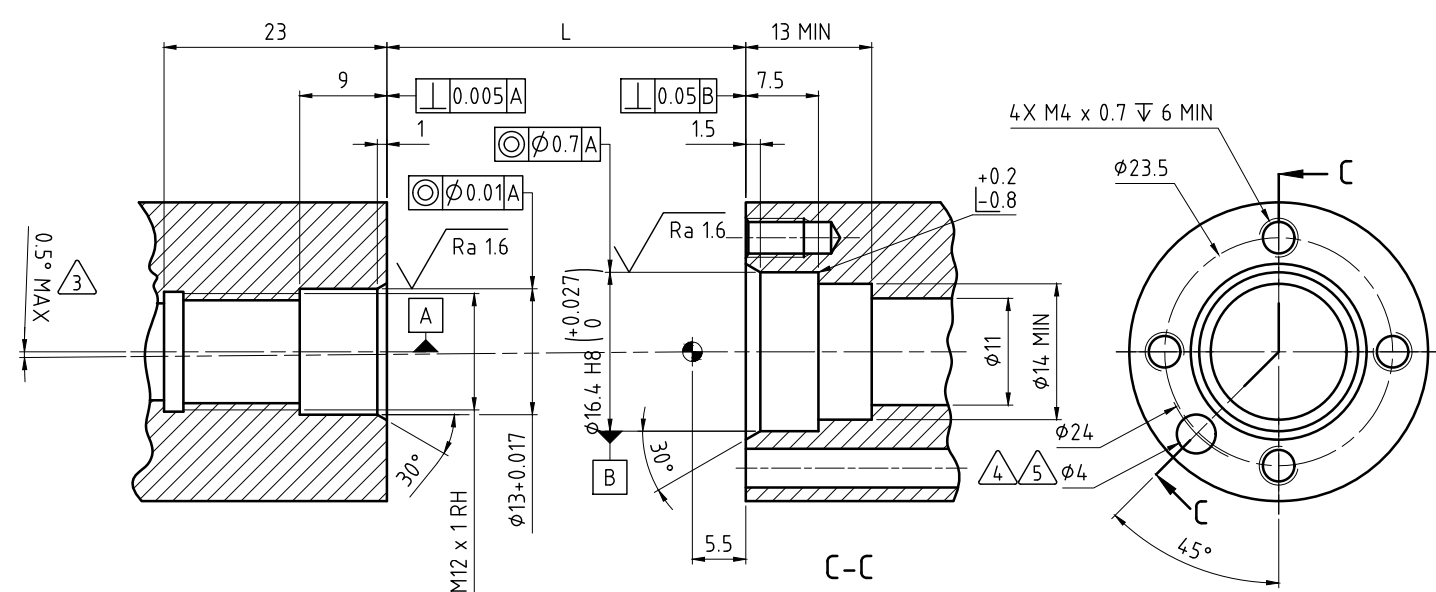
- 1 - FLOATING SEAL ASSEMBLY ACTUATION DISTANCE.
- 2 - AIR FUNCTIONS IN A CONTROLLED LEAKAGE CONDITION.
- 3 - ACCEPTABLE ANGULAR MIS-ALIGNMENT FROM PIVOT POINT AT ANY MOUNTING DISTANCE.
- 4 - AIR ACTUATION PORT FOR MEDIA VACUUM DRAWBACK. UNION ACTUATION PORT MUST BE ALIGNED CORRECTLY WITH MACHINE ACTUATION PORT.
- 5 - AIR ACTUATION PORT PRESSURIZATION DURING ROTATION MAY REDUCE UNION LIFE AND IS NOT RECOMMENDED.



MOUNTING DIMENSION 'L' ±0.25	ACTUATION DISTANCE 'R'
37 mm	8 mm
34 mm	5 mm
32 mm	3 mm
30 mm	1 mm

OPERATING DATA				
MEDIA	COOLANT	AIR OR MQL	VACUUM	
AIR ACTUATION PORT PRESSURE	MAXIMUM	0 bar	0 bar	6 bar
	MINIMUM	-	-	3 bar
MEDIA PRESSURE	MAXIMUM	210 bar	10 bar	-
	MINIMUM	3 bar	3 bar	-
FLOW RATE	MAXIMUM	33 L/min	1580 NL/min	-
	MINIMUM	3 L/min	480 NL/min	-
TEMPERATURE	MAXIMUM	70 °C	70 °C	70 °C
	MINIMUM	5 °C	5 °C	5 °C
MAXIMUM SPEED	50000 min ⁻¹	50000 min ⁻¹	0 min ⁻¹	
AXIAL FORCE	5.1 N/bar (357 N/7 MPa)			
DRY RUN	UNLIMITED	UNLIMITED	NOT POSSIBLE	
RECOMMENDED FILTRATION	ISO 4406 CLASS 17/15/12			

CUSTOMER INTERFACE



		PROJECTION:	SCALE: 2:1																																			
		DATE:	MATERIAL: INTERFACE CONTROL DRAWING																																			
		NAME:	TITLE: DEUBLIN BEARINGLESS UNION, AUTOSENSE																																			
		NO.:	1159-012-109																																			
		SHEET:	A2																																			
<table border="1"> <tr> <th>REV</th> <th>DESCRIPTION</th> <th>DATE</th> <th>BY</th> <th>CHKD</th> </tr> <tr> <td>D</td> <td>ROTOR WAS 5 mm FLAT</td> <td>02/09/13</td> <td>AL</td> <td>DRN.</td> </tr> <tr> <td>C</td> <td>DRAWING REVISED</td> <td>02/01/14</td> <td>09/12</td> <td>FD ENGR.</td> </tr> <tr> <td>B</td> <td>UPDATED ROTOR</td> <td>01/17/16</td> <td>04/12</td> <td>AL APPD.</td> </tr> <tr> <td>A</td> <td>DESIGN CHANGED</td> <td>01/16/25</td> <td>12/11</td> <td>AL</td> </tr> <tr> <td>NONE</td> <td>DRAWING RELEASED</td> <td>01/15/68</td> <td>11/11</td> <td>AL</td> </tr> <tr> <td>ISSUE</td> <td>MODIFICATION</td> <td>ECO</td> <td>DATE</td> <td>SIGN</td> </tr> </table>		REV	DESCRIPTION	DATE	BY	CHKD	D	ROTOR WAS 5 mm FLAT	02/09/13	AL	DRN.	C	DRAWING REVISED	02/01/14	09/12	FD ENGR.	B	UPDATED ROTOR	01/17/16	04/12	AL APPD.	A	DESIGN CHANGED	01/16/25	12/11	AL	NONE	DRAWING RELEASED	01/15/68	11/11	AL	ISSUE	MODIFICATION	ECO	DATE	SIGN	<small>UNLESS SPECIFICALLY TOLERANCED, ALL DIMENSIONS ARE CONSIDERED REFERENCE</small>	
REV	DESCRIPTION	DATE	BY	CHKD																																		
D	ROTOR WAS 5 mm FLAT	02/09/13	AL	DRN.																																		
C	DRAWING REVISED	02/01/14	09/12	FD ENGR.																																		
B	UPDATED ROTOR	01/17/16	04/12	AL APPD.																																		
A	DESIGN CHANGED	01/16/25	12/11	AL																																		
NONE	DRAWING RELEASED	01/15/68	11/11	AL																																		
ISSUE	MODIFICATION	ECO	DATE	SIGN																																		