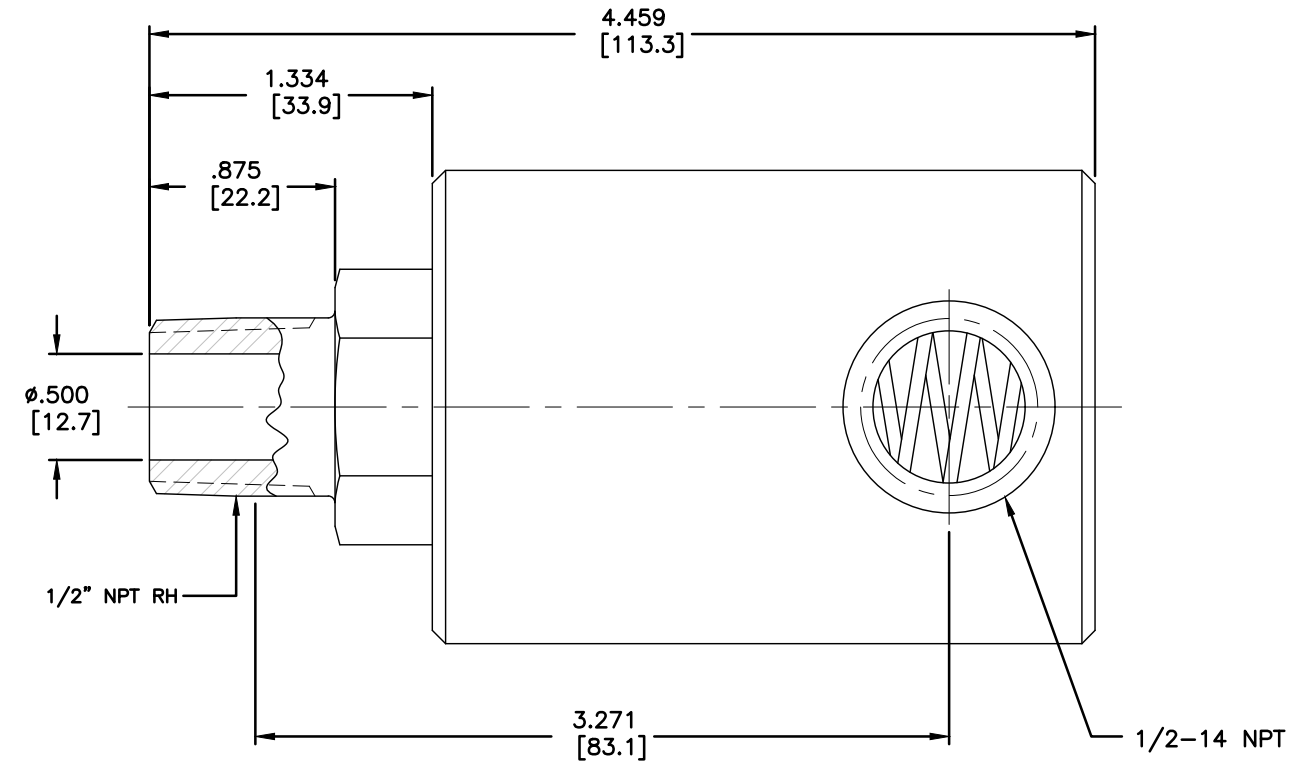
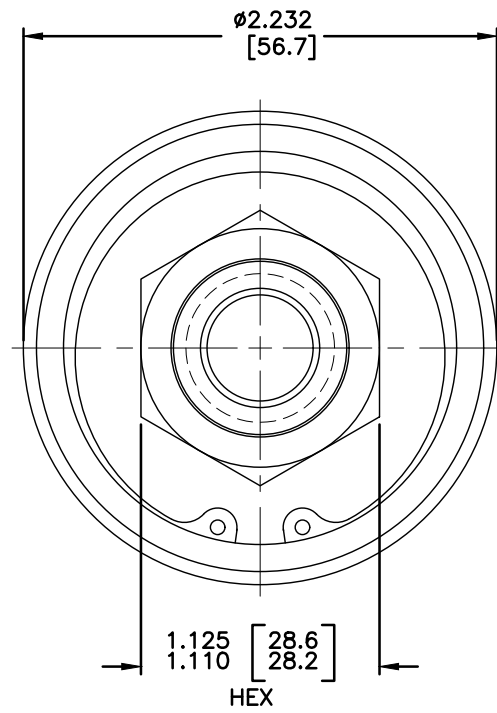


NOTES:

1 - WHEN ORDERING FROM DEUBLIN USE PART NUMBER: 1205-000-003.



OPERATING PARAMETERS

MEDIA	AIR/HYDRAULIC	
MAX AIR PRESSURE	150 PSI	10 bar
MAX VACUUM	28"Hg	6.7kPa
MAX HYDRAULIC PRESSURE	750 PSI	50 bar
MAX TEMPERATURE	250°F	121°C
MAX SPEED	3500 RPM	3500/MIN.

CONFIDENTIAL
 THIS DOCUMENT CONTAINS PROPRIETARY INFORMATION AND IS NOT TO BE TRANSMITTED, REPRODUCED, USED OR DISCLOSED TO ANYONE WITHOUT THE WRITTEN PERMISSION OF THE DEUBLIN COMPANY.

LET.	REVISION	ECO	DATE	SIGN

EQUIPMENT REF:

 ASSY/TEST FIXTURES REQUIRED:

SCALE	1.66:1	DWG SIZE	C
DRN	RM	06/02/03	
ENGR	ARS	06/02/03	
APPD	ARS	06/02/03	

UNLESS OTHERWISE SPECIFIED TOLERANCES ±.010. DIMENSIONS IN [] ARE IN MILLIMETERS.

DEUBLIN COMPANY
 WAUKEGAN, ILLINOIS, U.S.A.

TITLE: INTERFACE CONTROL
 DRAWING FOR DEUBLIN UNION 1205-000-003

NO. 1205-000-003-IC
 C.A.D. DRAWING