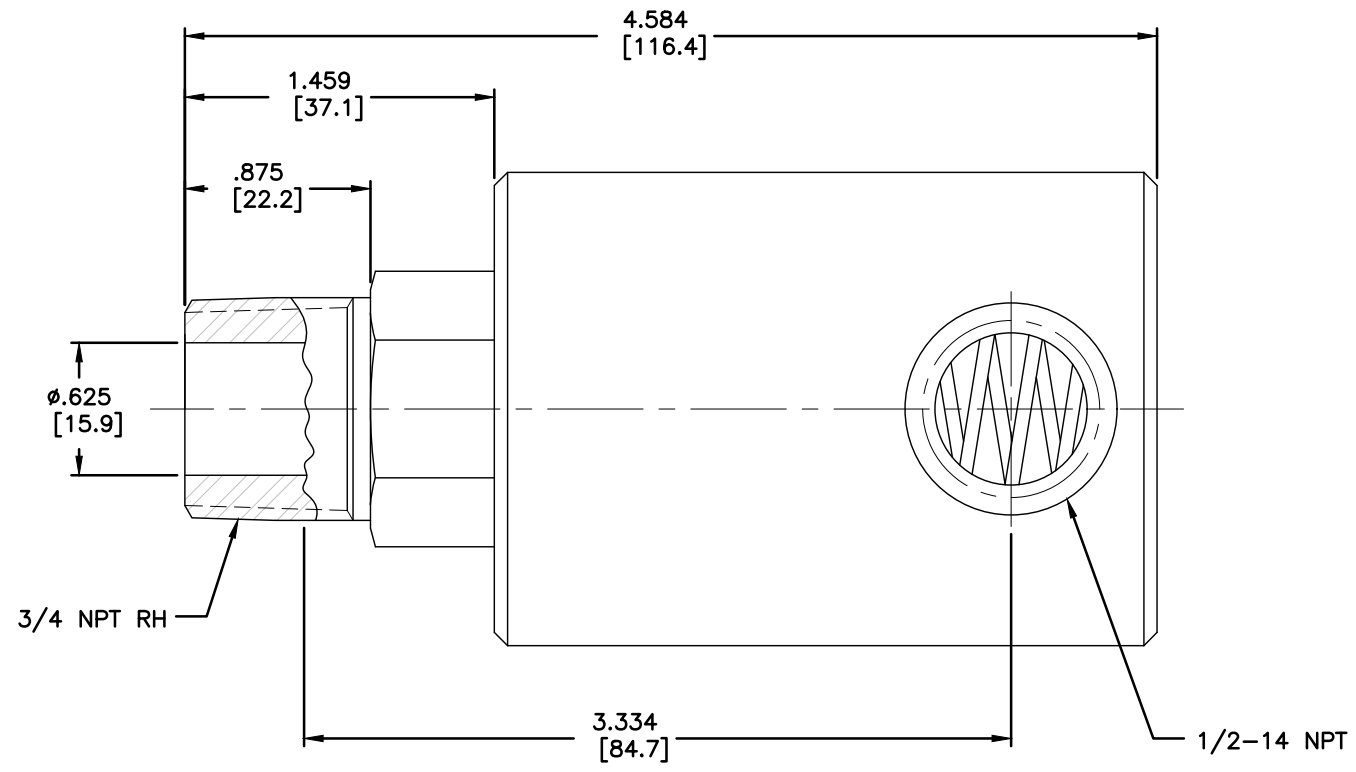
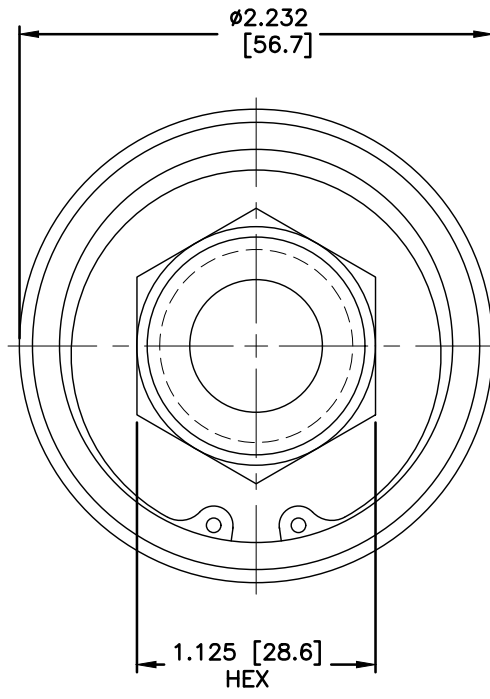


NOTES:

1 - WHEN ORDERING FROM DEUBLIN USE PART NUMBER: 1205-000-019.



OPERATING PARAMETERS		
MEDIA	AIR/HYDRAULIC	
MAX AIR PRESSURE	150 PSI	10 bar
MAX VACUUM	28" Hg	6.7kPa
MAX HYDRAULIC PRESSURE	750 PSI	50 bar
MAX TEMPERATURE	250°F	121°C
MAX SPEED	3500 RPM	3500/MIN.

CONFIDENTIAL
 THIS DOCUMENT CONTAINS CONFIDENTIAL AND PROPRIETARY INFORMATION OF DEUBLIN COMPANY. COPYING, USE, TRANSMISSION, DISTRIBUTION, AND DISCLOSURE ARE SUBJECT TO THE TERMS AND CONDITIONS CONTAINED IN YOUR AGREEMENT WITH DEUBLIN COMPANY. ALL RIGHTS RESERVED.

				EQUIPMENT REF:		SCALE 1.66:1	DWG SIZE C
						DRN RM	06/26/03
						ENGR ARS	06/26/03
						APPD ARS	06/26/03
				ASSY/TEST FIXTURES REQUIRED:		UNLESS SPECIFICALLY TOLERANCED, ALL DIMENSIONS ARE REFERENCE	
						DIMENSIONS IN [] ARE IN MILLIMETERS.	
LET.	REVISION	ECO	DATE	SIGN	DEUBLIN COMPANY WAUKEGAN, ILLINOIS, U.S.A. TITLE: INTERFACE CONTROL DRAWING FOR DEUBLIN UNION 1205-000-019 NO. 1205-000-019-IC C.A.D DRAWING		