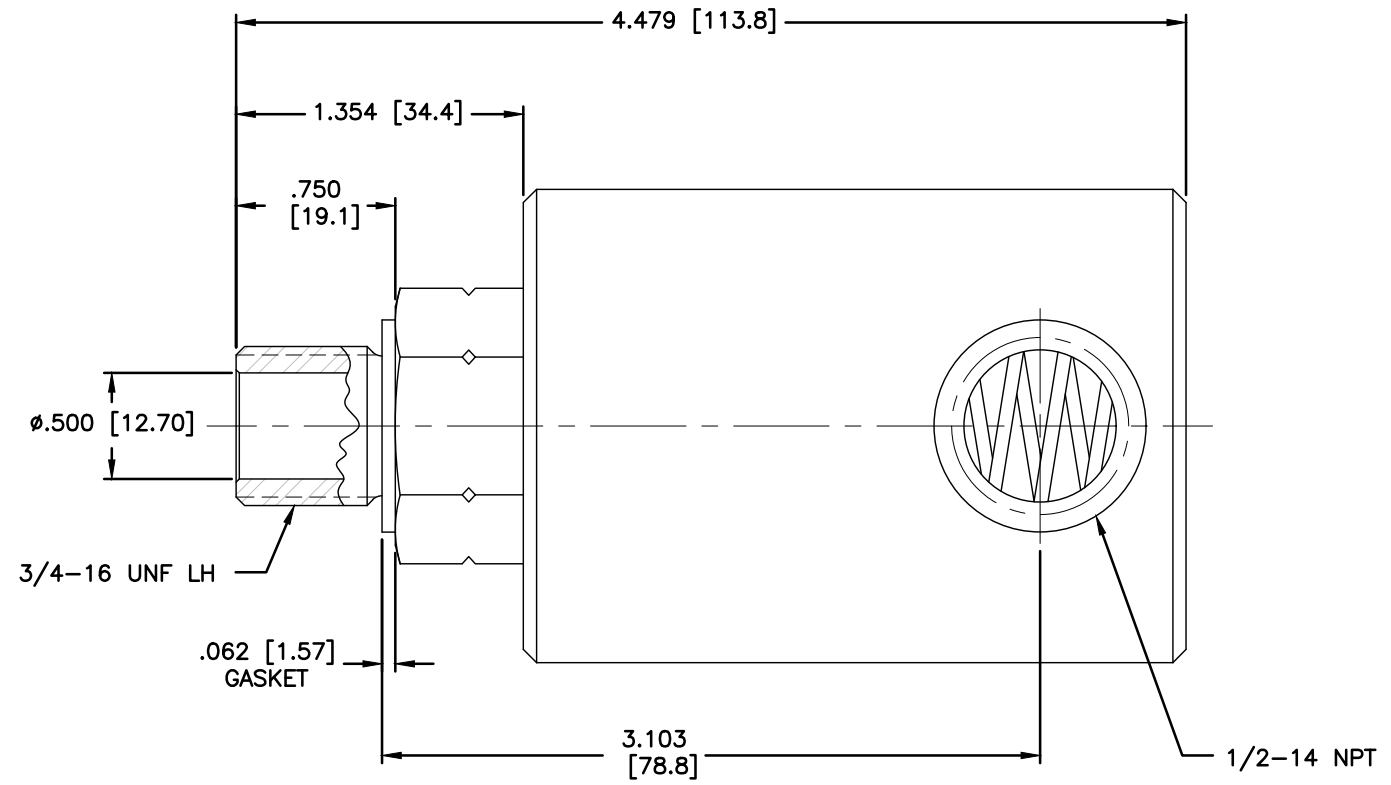
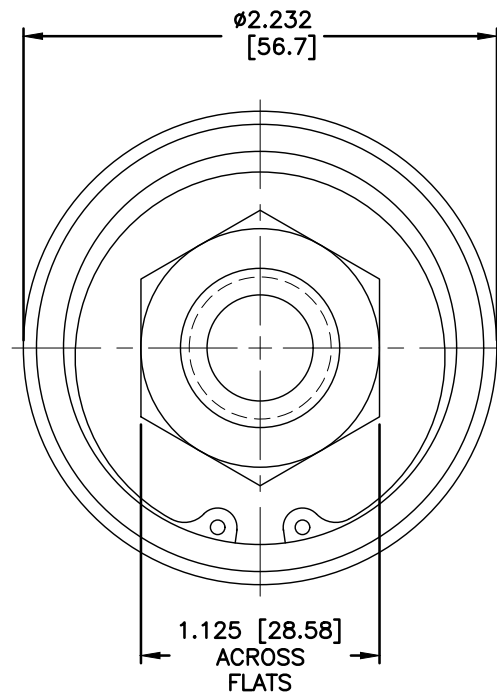


NOTES:

1 - WHEN ORDERING FROM DEUBLIN USE PART NUMBER: 1205-000-025.

DWG. NO.  
1205-000-025-IC



OPERATING DATA		
MEDIA	AIR & HYDRAULIC	
MAX AIR PRESSURE	150 PSI	10 bar
MAX VACUUM	28" Hg	6.7 kPa
MAX HYD. PRESSURE	750 PSI	50 bar
MAX SPEED	3500 RPM	3500/min
MAX TEMPERATURE	250°F	121°C

CONFIDENTIAL  
THIS DOCUMENT CONTAINS CONFIDENTIAL AND PROPRIETARY INFORMATION OF DEUBLIN COMPANY. COPYING, USE, TRANSMISSION, DISTRIBUTION, AND DISCLOSURE ARE SUBJECT TO THE TERMS AND CONDITIONS CONTAINED IN YOUR AGREEMENT WITH DEUBLIN COMPANY. ALL RIGHTS RESERVED.

SCALE	1.66:1	DWG SIZE	C
DRN	RM	01/24/06	
ENGR	ARS	01/24/06	
APPD	ARS	01/24/06	
PART NO.	1205-000-025		
CUSTOMER			
LET.	REVISION	ECO	DATE SIGN

UNLESS SPECIFICALLY TOLERANCED, ALL DIMENSIONS ARE REFERENCE  
DIMENSIONS IN [ ] ARE IN MILLIMETERS.

**DEUBLIN** COMPANY  
WAUKEGAN, ILLINOIS, U.S.A.

TITLE: INTERFACE CONTROL  
DRAWING FOR DEUBLIN  
UNION 1205-000-025

DWG. NO. 1205-000-025-IC  
C.A.D. DRAWING