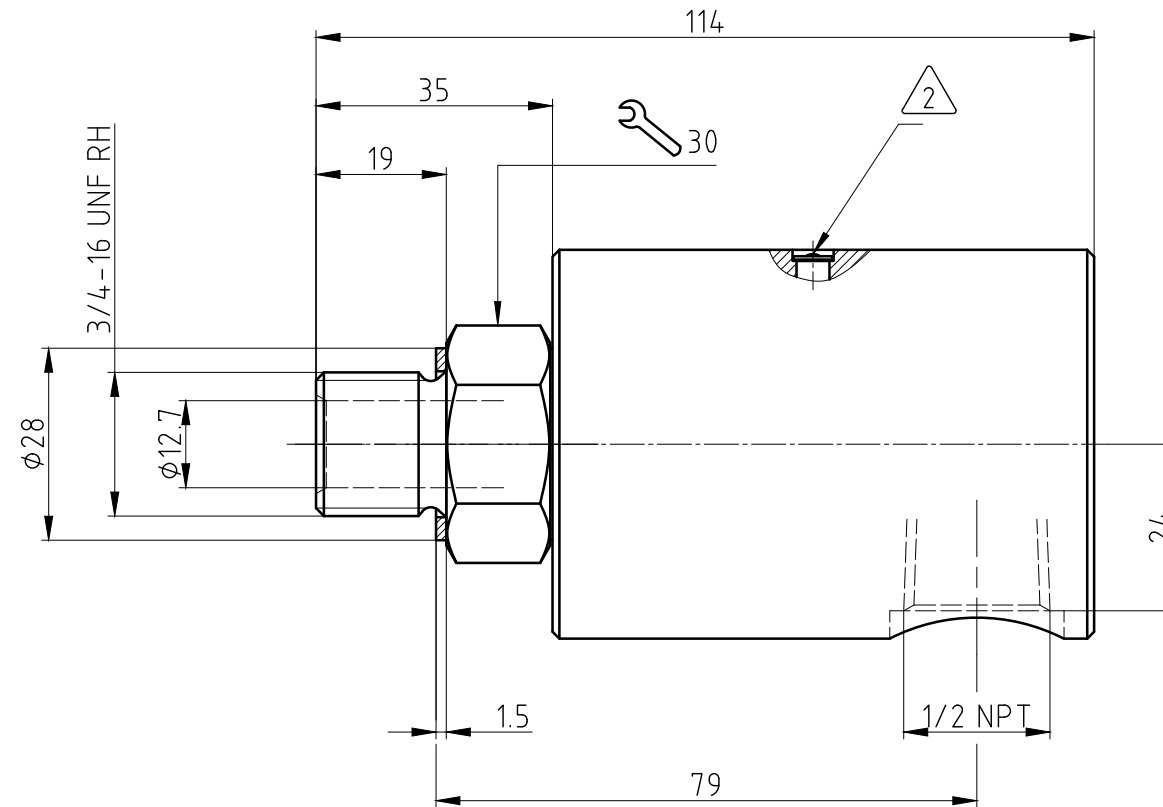
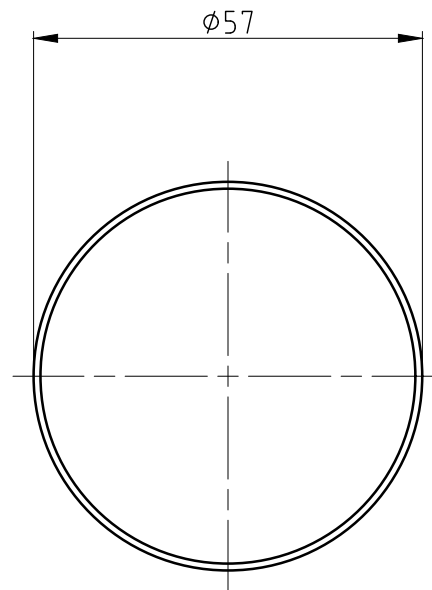


NOTES:

1 - CONTACT DEUBLIN OR VISIT WWW.DEUBLIN.COM
FOR INSTRUCTION MANUAL: 040-555.

△2 - OILER.

CONFIDENTIAL
THIS DOCUMENT CONTAINS CONFIDENTIAL AND PROPRIETARY
INFORMATION OF DEUBLIN COMPANY. COPYING, USE,
TRANSMISSION, DISTRIBUTION, AND DISCLOSURE ARE SUBJECT
TO THE TERMS AND CONDITIONS CONTAINED IN YOUR
AGREEMENT WITH DEUBLIN COMPANY. ALL RIGHTS RESERVED.



OPERATING DATA

| | | | |
|------------------|------------------------|---------|---------------|
| MEDIA | AIR | VACUUM | HYDRAULIC OIL |
| PRESSURE MAX. | 10 bar | 6.7 kPa | 50 bar |
| SPEED MAX. | 3500 min ⁻¹ | | |
| TEMPERATURE MAX. | 120 °C | | |



PROJECTION:



SCALE: 1:1

MATERIAL: INTERFACE CONTROL DRAWING

TITLE: DEUBLIN ROTATING UNION
DEUBLIN Drehdurchführung

NO. 1205-000-039

SHEET A3

| ISSUE | MODIFICATION | ECO | DATE | SIGN |
|-------|--------------|-----|------|------|
| | | | | |
| | | | | |
| | | | | |
| | | | | |

UNLESS SPECIFICALLY TOLERANCED, ALL DIMENSIONS ARE CONSIDERED REFERENCE