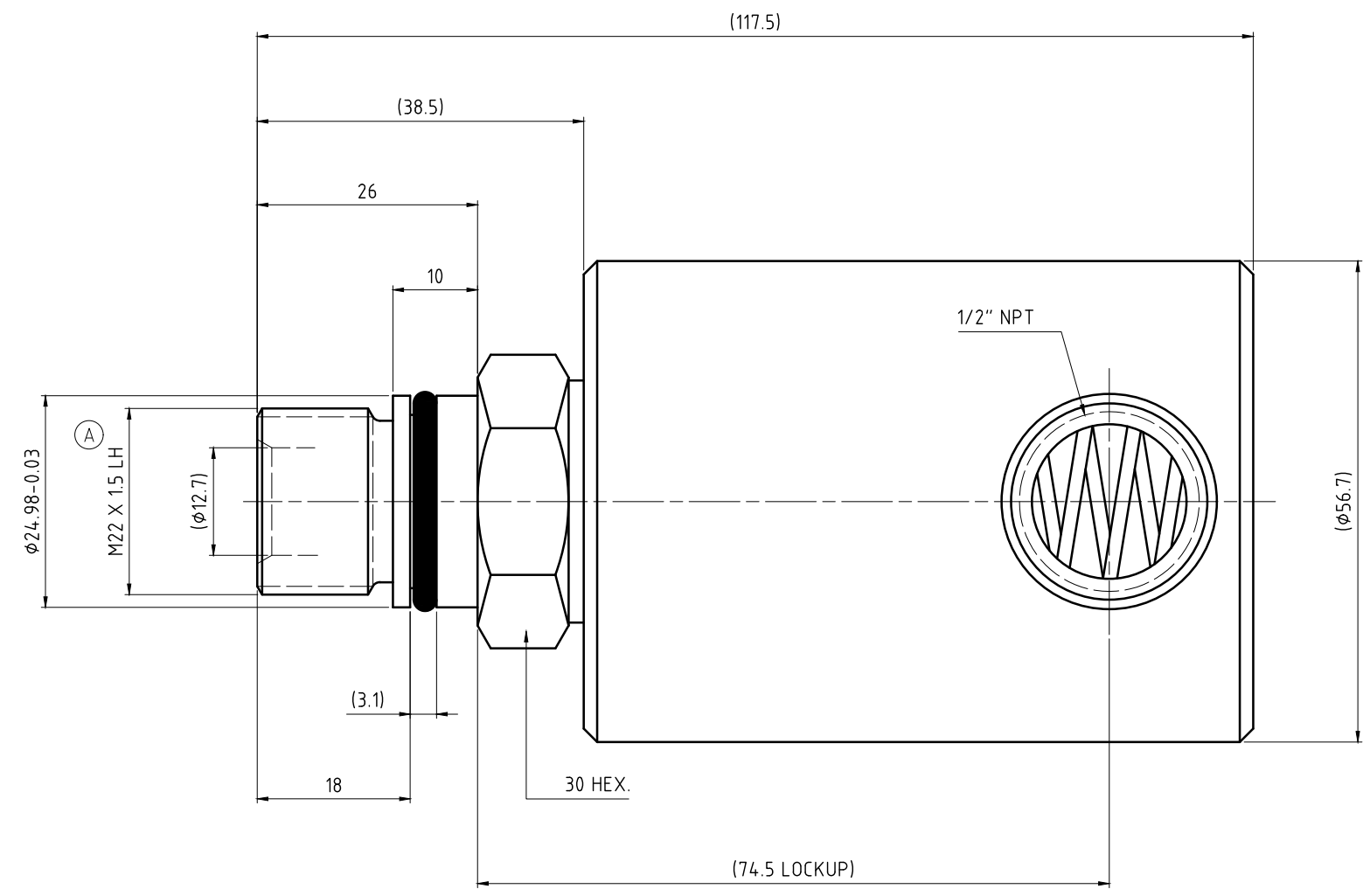
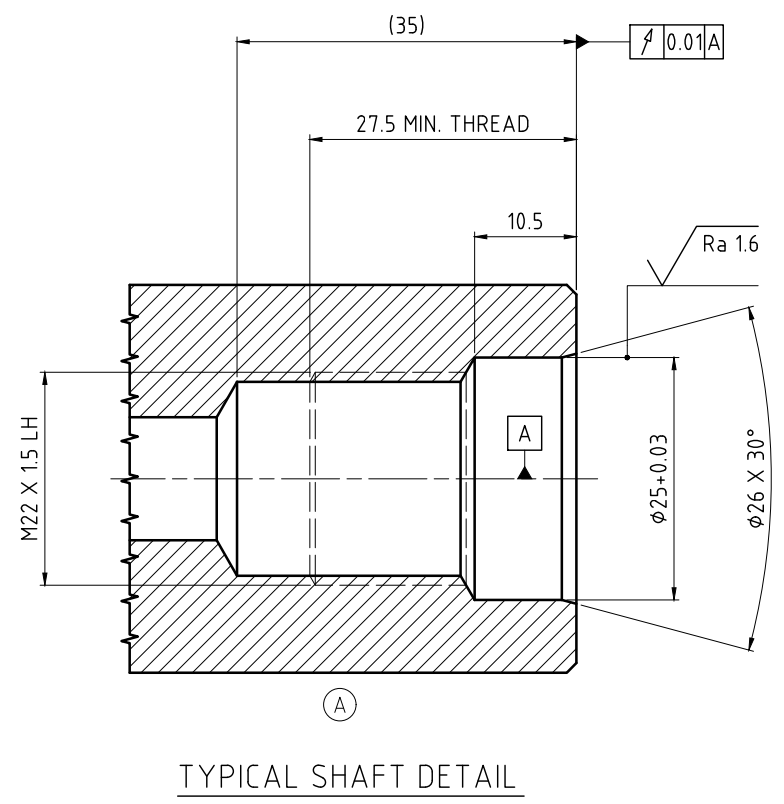


CONFIDENTIAL  
 THIS DOCUMENT CONTAINS CONFIDENTIAL AND PROPRIETARY  
 INFORMATION OF DEUBLIN COMPANY. COPYING, USE,  
 TRANSMISSION, DISTRIBUTION, AND DISCLOSURE ARE SUBJECT  
 TO THE TERMS AND CONDITIONS CONTAINED IN YOUR  
 AGREEMENT WITH DEUBLIN COMPANY. ALL RIGHTS RESERVED.



OPERATING PARAMETERS		
MEDIA	AIR/HYDRAULIC	
MAX AIR PRESSURE	150 PSI	10 bar
MAX VACUUM	28" Hg	6.7kPa
MAX HYDRAULIC PRESSURE	750 PSI	50 bar
MAX TEMPERATURE	250°F	121°C
MAX SPEED	3500 RPM	3500/MIN.

DEUBLIN COMPANY WAUKEGAN, ILLINOIS, U.S.A.		PROJECTION: 	SCALE: 2:1 MATERIAL:
DATE: 09/25/08 NAME: GA		TITLE: INTERFACE CONTROL DRAWING DEUBLIN UNION 1205-000-208	
DATE: 09/25/08 NAME: GA		NO. 1205-000-208	
DATE: 09/25/08 NAME: GA		SHEET	
A REDRAWN IN METRIC WAS RH THREAD ADDED SHAFT DETAIL	003308 9/08 GA APPD.	UNLESS SPECIFICALLY TOLERANCED, ALL DIMENSIONS ARE CONSIDERED REFERENCE	
ISSUE MODIFICATION ECO DATE SIGN			