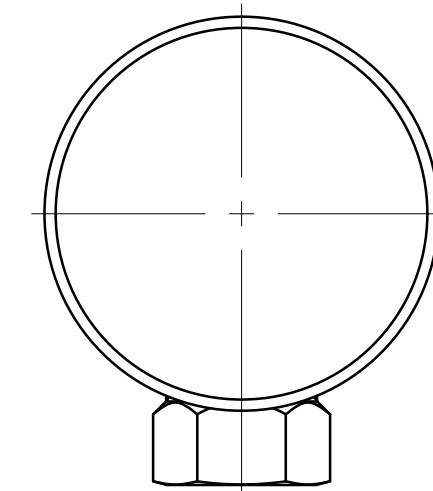
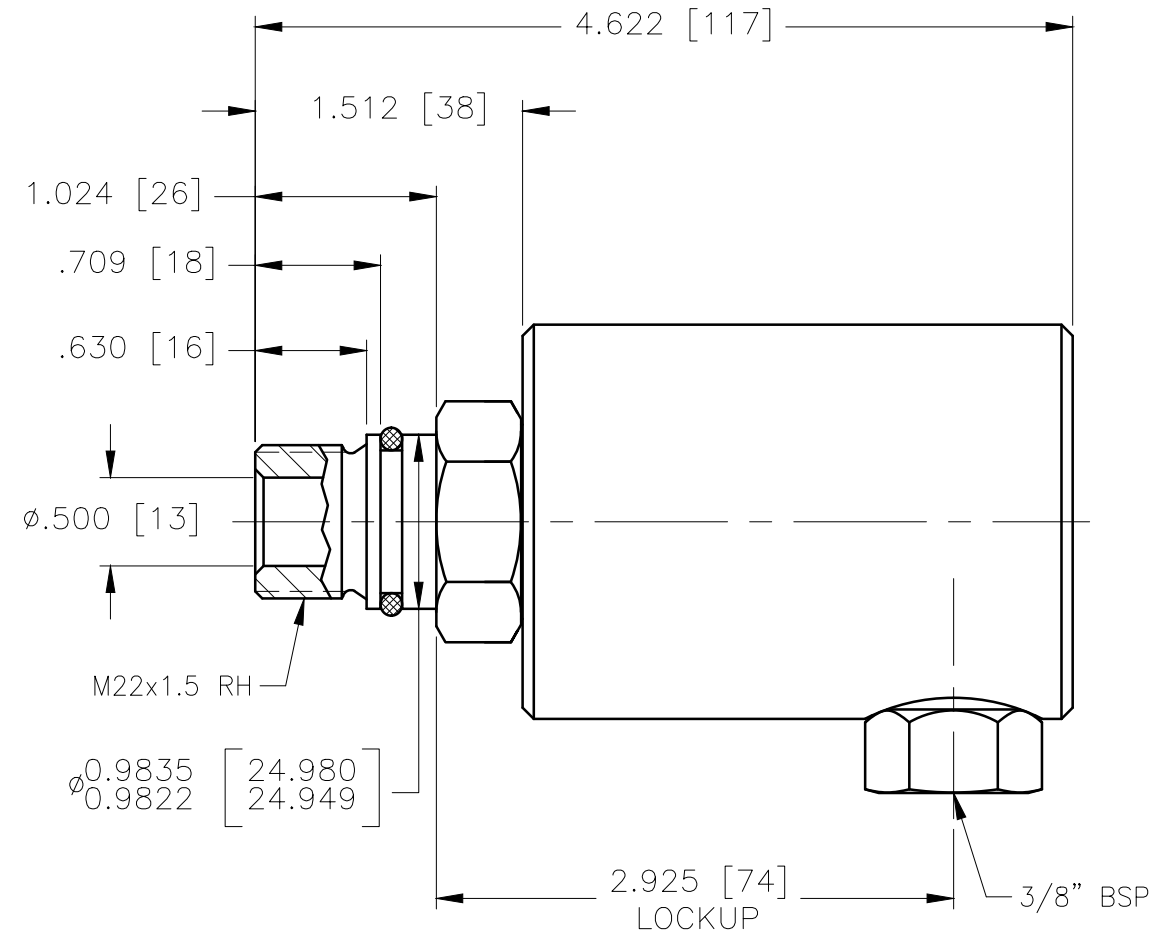
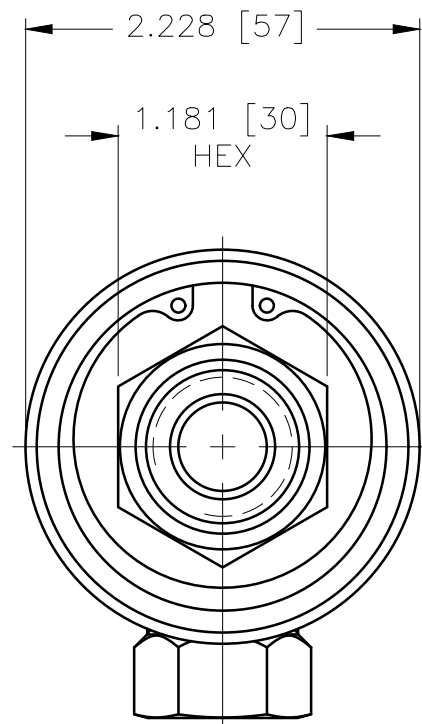


CONFIDENTIAL  
 THIS DOCUMENT CONTAINS CONFIDENTIAL AND PROPRIETARY INFORMATION OF DEUBLIN COMPANY. COPYING, USE, TRANSMISSION, DISTRIBUTION, AND DISCLOSURE ARE SUBJECT TO THE TERMS AND CONDITIONS CONTAINED IN YOUR AGREEMENT WITH DEUBLIN COMPANY. ALL RIGHTS RESERVED.

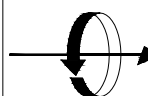


OPERATING DATA		
MEDIA	AIR	
MAX AIR PRESSURE	150 PSI	10 bar
MAX SPEED	3500 RPM	3500/min
MAX TEMPERATURE	250°F	121°C

LET.	REVISION	ECO	DATE	SIGN

SCALE	1 = 1	DWG SIZE
DRN	NR	10/29/09
ENGR	TW	10/29/09
APPD	TW	10/29/09
PART NO.		
1205-229-225		
CUSTOMER		

UNLESS SPECIFICALLY TOLERANCED, ALL DIMENSIONS ARE REFERENCE  
 DIMENSIONS IN [ ] ARE IN MILLIMETERS.

 **DEUBLIN** COMPANY  
 WAUKEGAN, ILLINOIS, U.S.A.

TITLE: INTERFACE CONTROL  
 DRAWING OF DEUBLIN  
 UNION 1205-229-225

DWG NO. 1205-229-225 C.A.D DRAWING