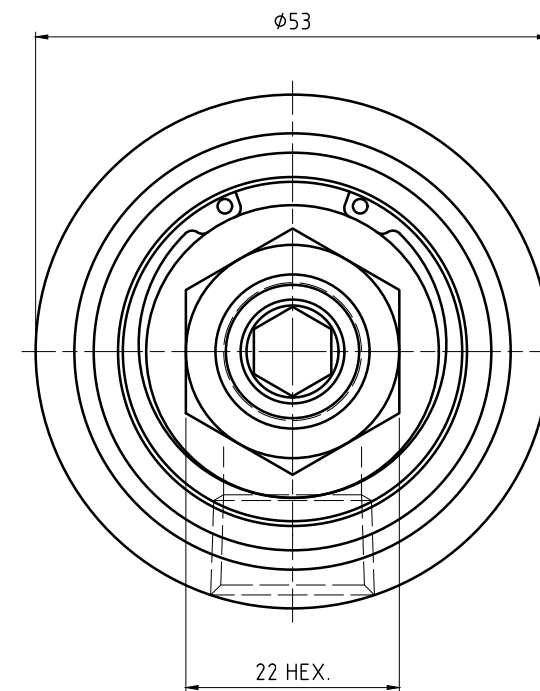
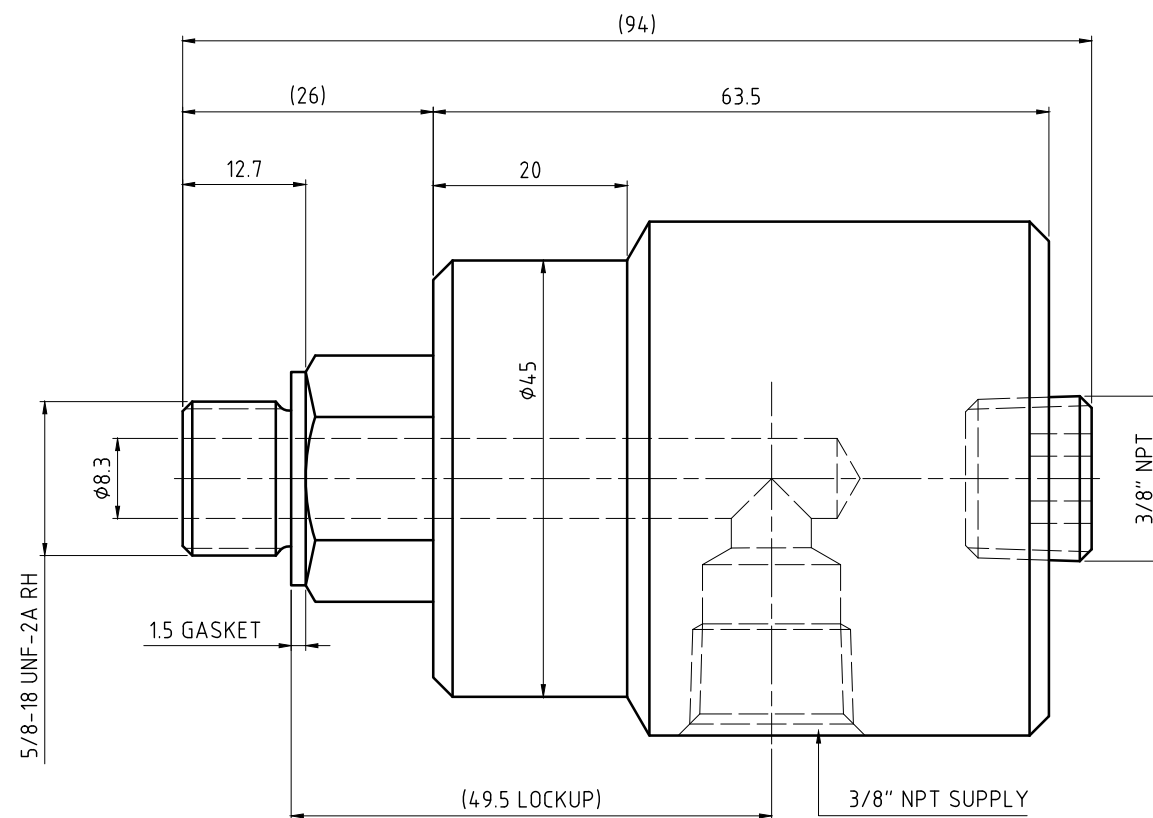


CONFIDENTIAL
 THIS DOCUMENT CONTAINS CONFIDENTIAL AND PROPRIETARY
 INFORMATION OF DEUBLIN COMPANY. COPYING, USE,
 TRANSMISSION, DISTRIBUTION, AND DISCLOSURE ARE SUBJECT
 TO THE TERMS AND CONDITIONS CONTAINED IN YOUR
 AGREEMENT WITH DEUBLIN COMPANY. ALL RIGHTS RESERVED.



OPERATING DATA	
MEDIA	AIR
MAX. PRESSURE	10 bar
MAX. SPEED	1500/min
MAX. MEDIA TEMPERATURE	121°C

		PROJECTION:	SCALE: 2:1
			MATERIAL:
		DATE	NAME
		DRN. 05/17/11	GA
		ENGR.	
		APPD.	
A	UPDATED TO MS	015937	11/11
	REDESIGNED HOUSING		
	ISSUE	MODIFICATION	ECO
		DATE	SIGN
UNLESS SPECIFICALLY TOLERANCED, ALL DIMENSIONS ARE CONSIDERED REFERENCE			TITLE:
			INTERFACE CONTROL DRAWING
			DEUBLIN UNION 1300-082-023
			NO.
			1300-082-023
			SHEET