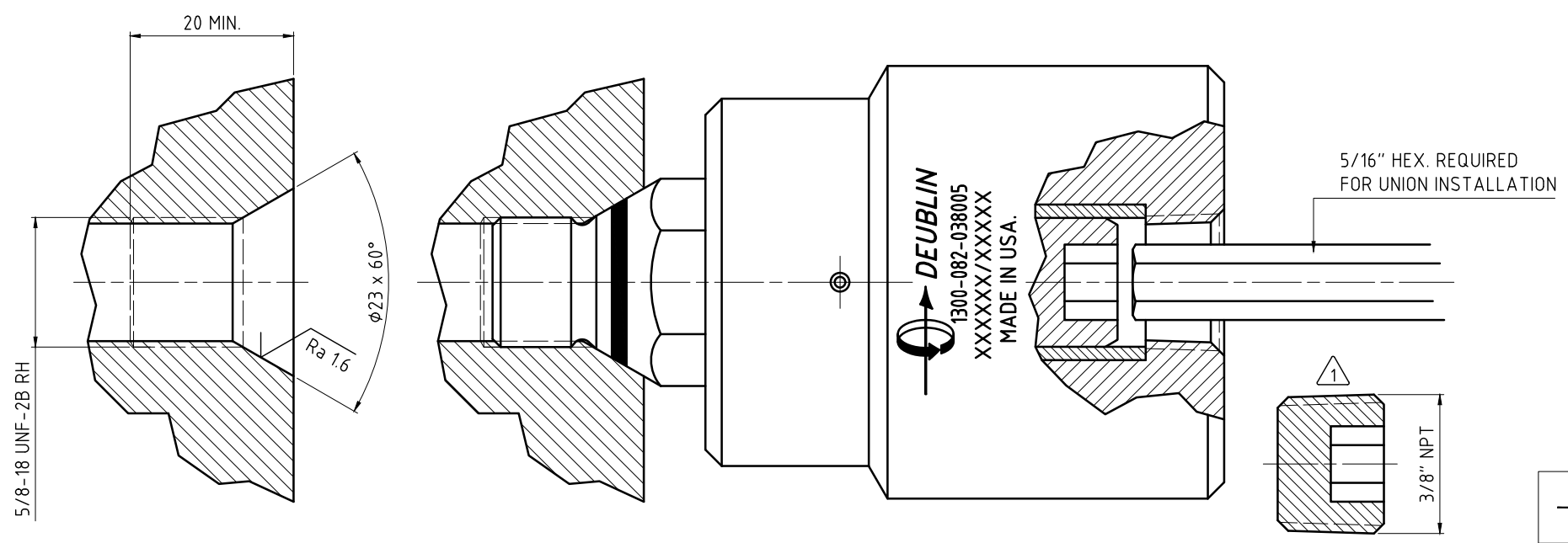
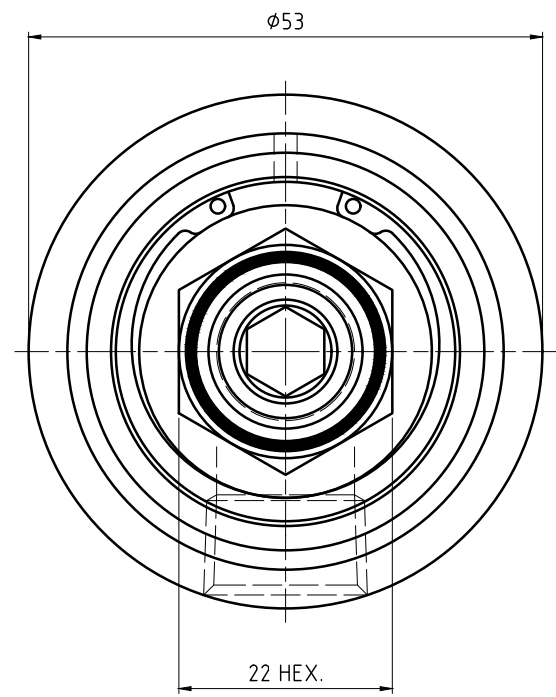
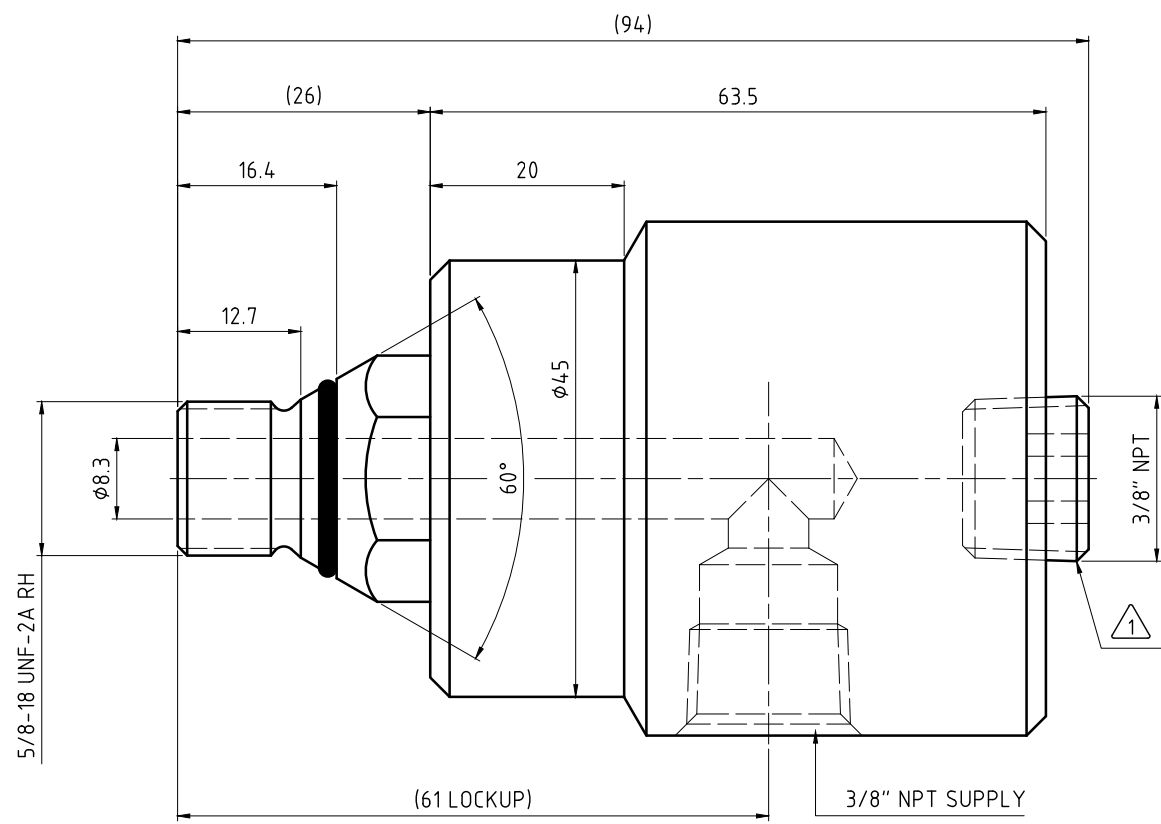


CONFIDENTIAL  
 THIS DOCUMENT CONTAINS CONFIDENTIAL AND PROPRIETARY  
 INFORMATION OF DEUBLIN COMPANY. COPYING, USE,  
 TRANSMISSION, DISTRIBUTION, AND DISCLOSURE ARE SUBJECT  
 TO THE TERMS AND CONDITIONS CONTAINED IN YOUR  
 AGREEMENT WITH DEUBLIN COMPANY. ALL RIGHTS RESERVED.

NOTES:

① - 3/8" PIPE PLUG SUPPLIED INSTALLED HAND TIGHT.  
 MUST BE SEALED AND TIGHTENED BY CUSTOMER  
 AFTER UNION INSTALLATION.



OPERATING DATA	
MEDIA	AIR
MAX. PRESSURE	10 bar
MAX. SPEED	1500/min
MAX. MEDIA TEMPERATURE	121°C

		PROJECTION:	SCALE: 2:1
		MATERIAL:	
DRN.	05/17/11	NAME	GA
ENGR.			
APPD.			
TITLE:			INTERFACE CONTROL DRAWING
NO.			1300-082-038005
SHEET			
A	UPDATED TO MS	015937	11/11
	REDESIGNED HOUSING		
ISSUE	MODIFICATION	ECO	DATE
			SIGN

UNLESS SPECIFICALLY TOLERANCED, ALL DIMENSIONS ARE CONSIDERED REFERENCE