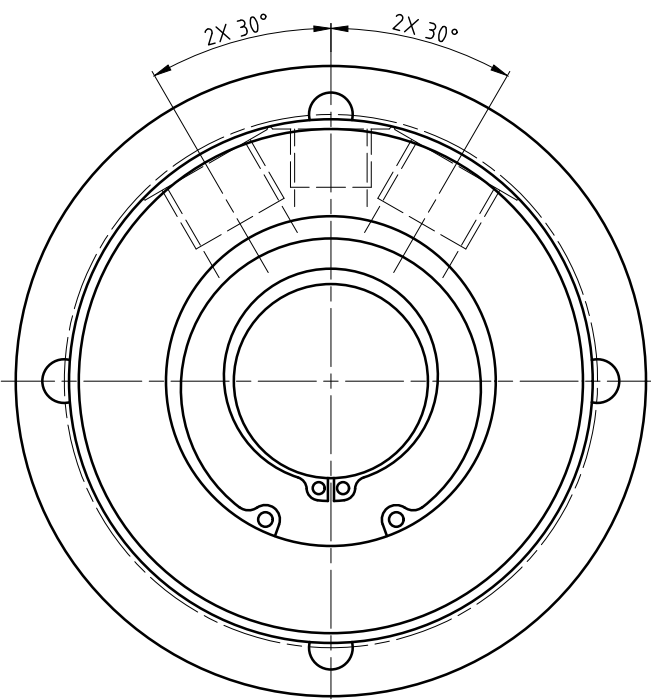


CONFIDENTIAL
 THIS DOCUMENT CONTAINS CONFIDENTIAL AND PROPRIETARY
 INFORMATION OF DEUBLIN COMPANY. COPYING, USE,
 TRANSMISSION, DISTRIBUTION, AND DISCLOSURE ARE SUBJECT
 TO THE TERMS AND CONDITIONS CONTAINED IN YOUR
 AGREEMENT WITH DEUBLIN COMPANY. ALL RIGHTS RESERVED.

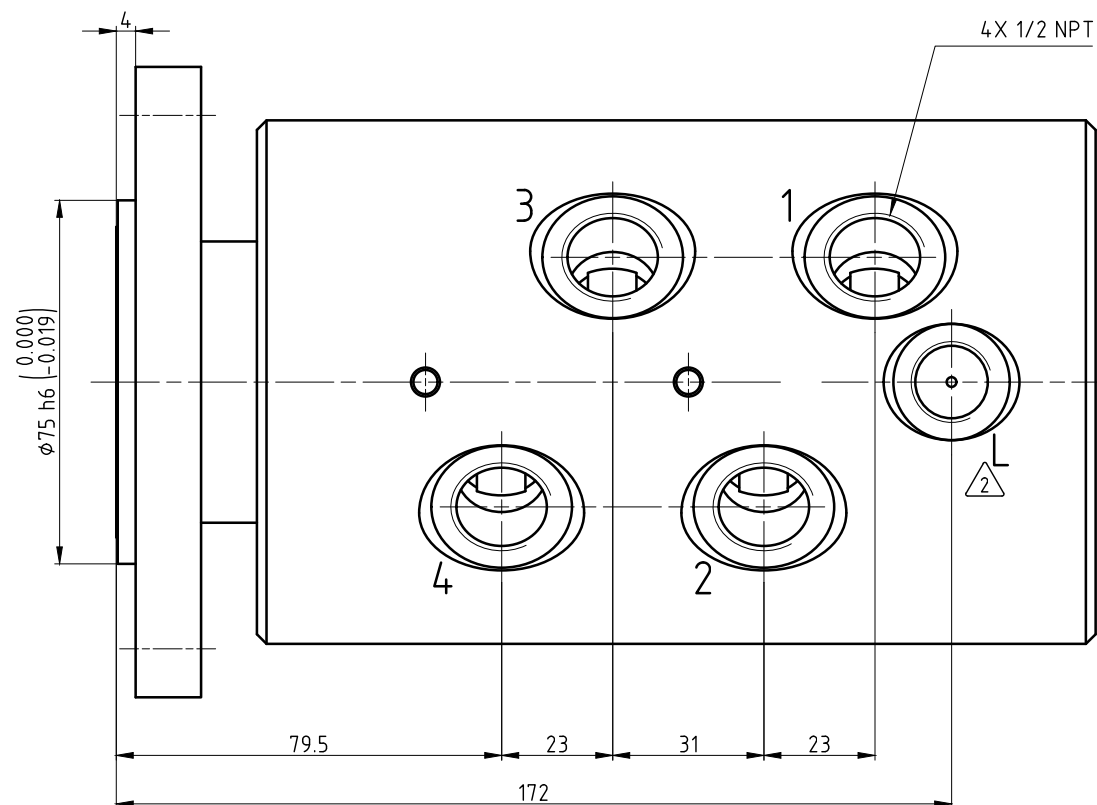
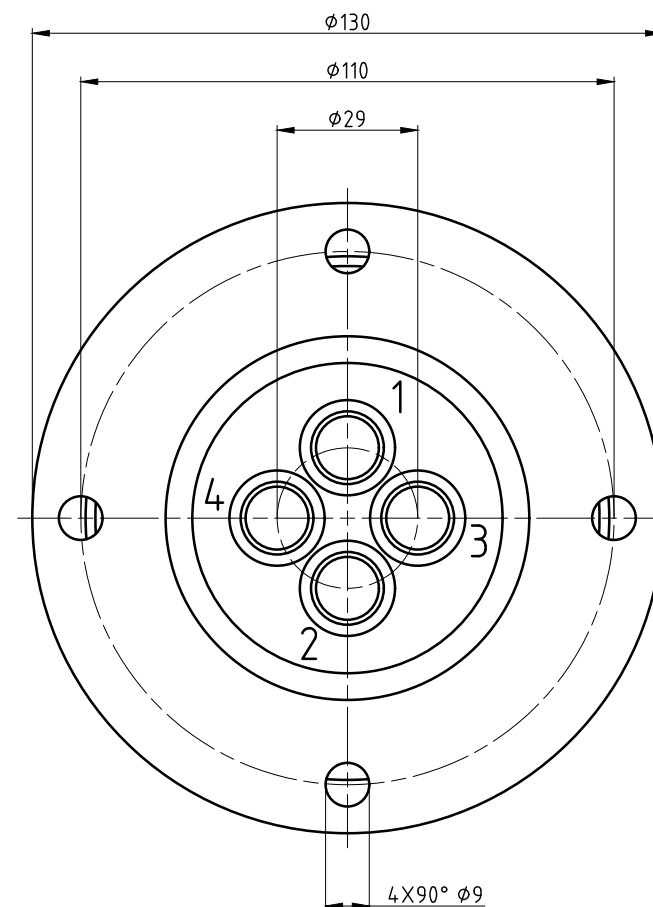
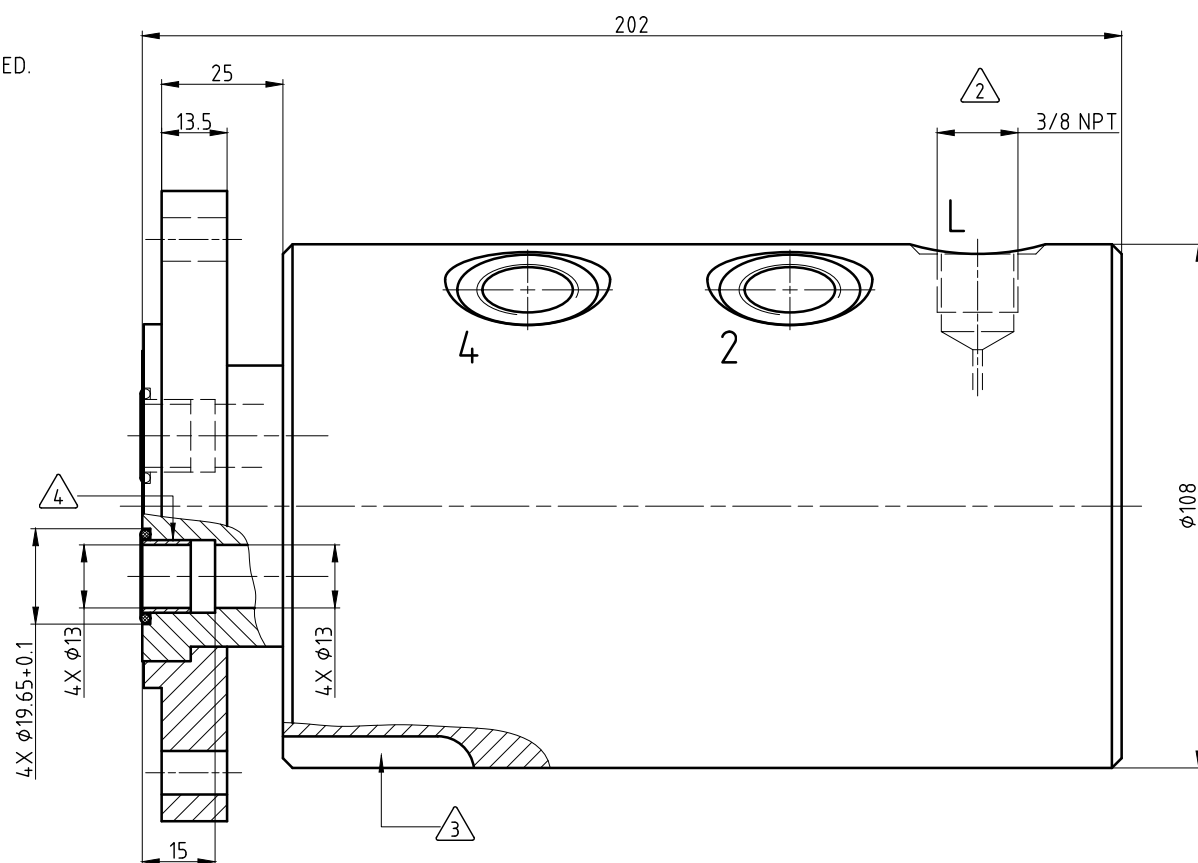
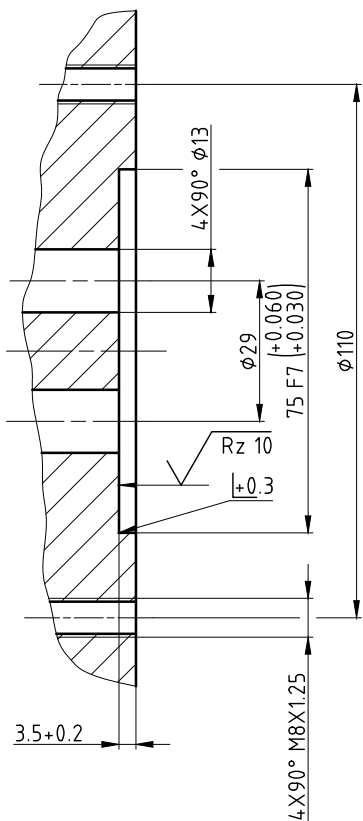
NOTES:

1 - CONTACT DEUBLIN OR VISIT WWW.DEUBLIN.COM
 FOR INSTRUCTION MANUAL: 040-563

- ② - DRAIN PORT.
- ③ - LOADING SLOT.
- ④ - ITEM TO BE BAGGED AND TAGGED AND SHIPPED UNASSEMBLED.



CUSTOMER'S INTERFACE



OPERATING DATA				
MEDIA	AIR	VACUUM	OIL	OIL
PRESSURE MAX.	10 bar	6.7 kPa	60 bar	250 bar
SPEED MAX.	250 min ⁻¹		10 min ⁻¹	
TEMPERATURE MAX.	80 °C			
DRY RUN (WITHOUT ANY MEDIA)	POSSIBLE			



PROJECTION:  SCALE: 1:1
 MATERIAL: INTERFACE CONTROL DRAWING

DATE	NAME	TITLE
DRN. 02.08.2013	CW	DEUBLIN ROTATING UNION DEUBLIN Drehdurchführung
ENGR. 02.08.2013	HS	
APPD.		

NO. 1479-400

SHEET A2

ISSUE	MODIFICATION	ECO	DATE	SIGN	UNLESS SPECIFICALLY TOLERANCED, ALL DIMENSIONS ARE CONSIDERED REFERENCE
A	REBRAM/UPDATE TO MS	024.4.13	08/13	CW	