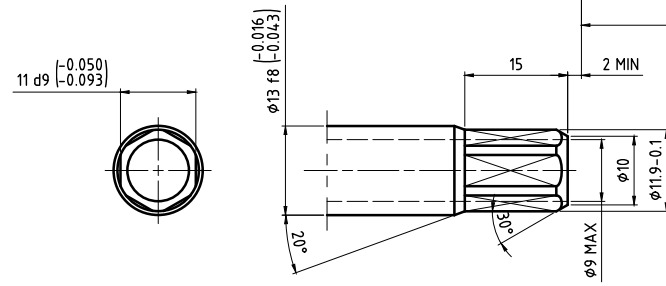
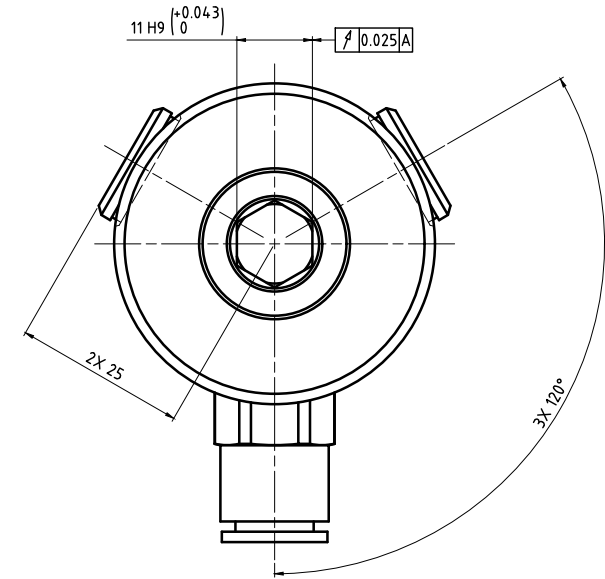
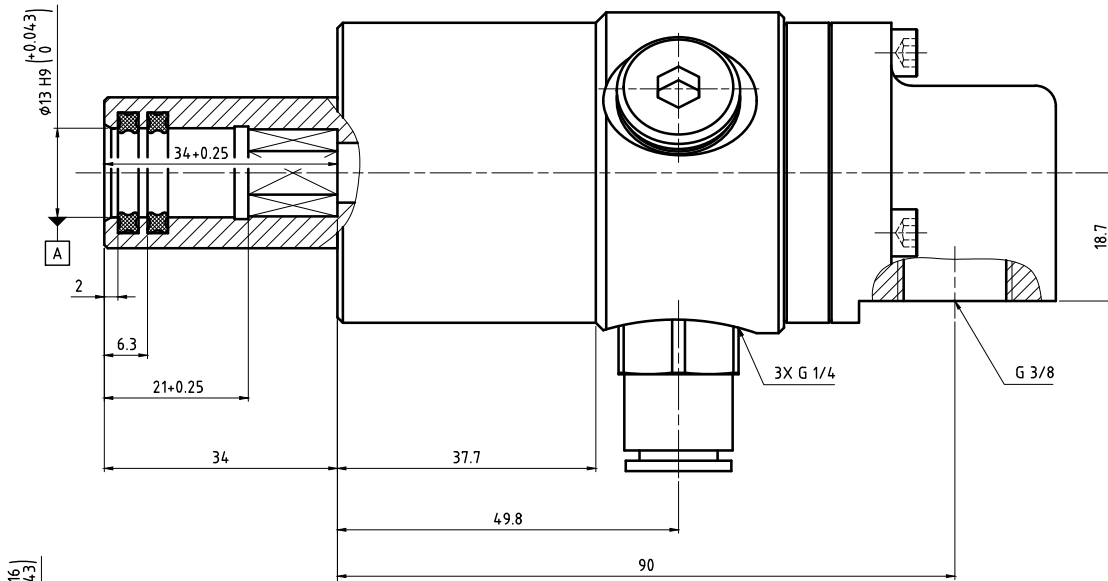
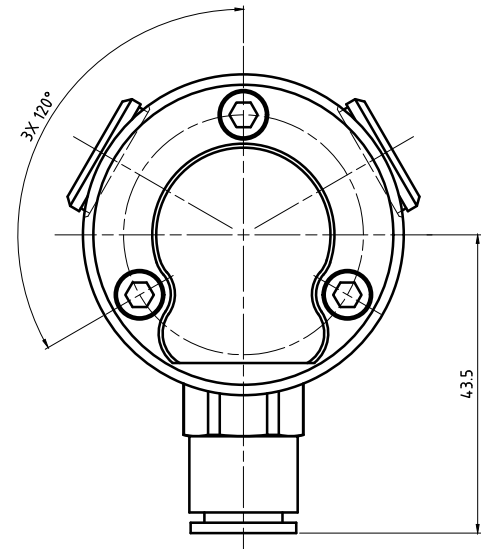
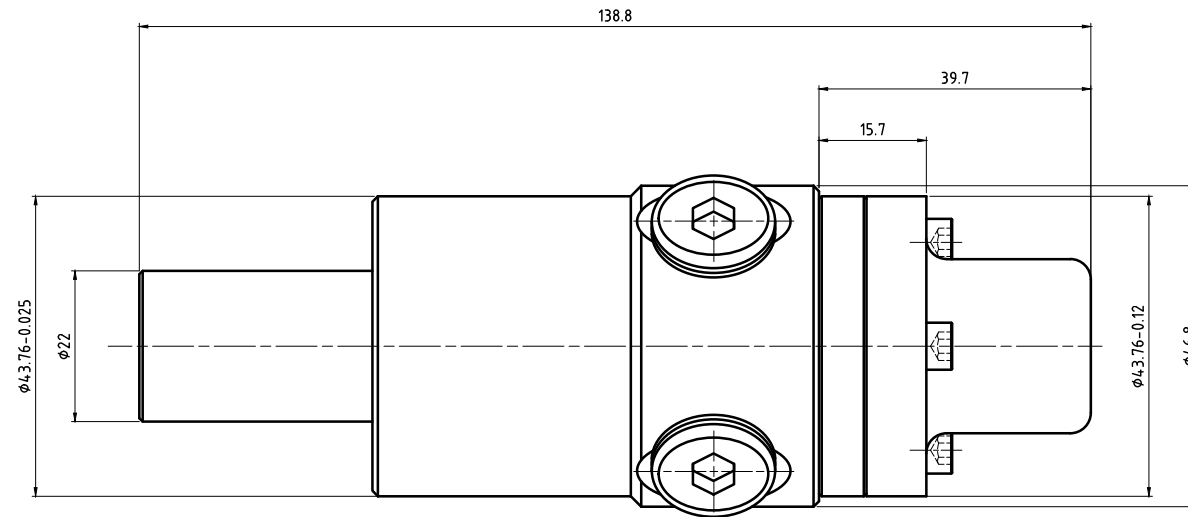


CONFIDENTIAL  
THIS DOCUMENT CONTAINS CONFIDENTIAL AND PROPRIETARY INFORMATION OF DEUBLIN COMPANY. IT IS TO BE KEPT IN STRICTLY CONFIDENTIAL AND IS TO BE RETURNED TO DEUBLIN COMPANY UPON REQUEST. ALL RIGHTS RESERVED.

Ø13	f8	-0.016	0
Ø13	H9	-0.043	0
11	d9	-0.050	-0.093
11	H9	-0.043	0
Dimen.	Fit		



CUSTOMER'S SPINDLE END



Operating Data / Betriebsdaten		
Media/Medium	Coolant	Kühlmittel
p max.	1000 PSI	70 bar
n max.	15000 RPM	15000 1/min
t max.	160 °F	70 °C
Filtration/Filterung	60 µm	60 µm
Dry run/Trockenlauf	unpressurized only	möglich
Q max.	7,9 GPM	30 l/min

**DEUBLIN**  
Engineered for Performance

PROJECTION: SCALE: 2:1

MATERIAL: INTERFACE CONTROL DRAWING

DRN	07/30/2013	NR
ENGR	08/01/2013	AL
APPD.		

TITLE: DEUBLIN UNION

NO. 902-253-220

SHEET A1

UNLESS SPECIFICALLY TOLERANCED, ALL DIMENSIONS ARE CONSIDERED REFERENCE