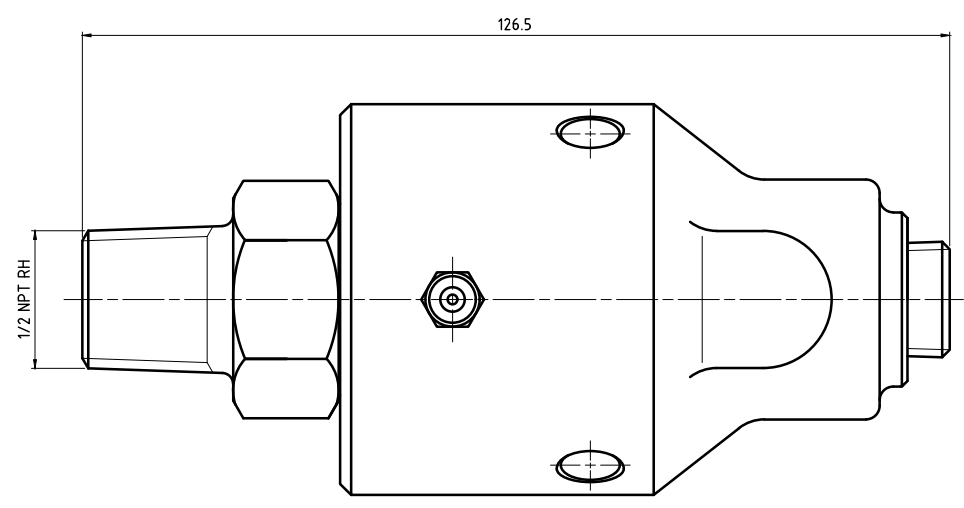
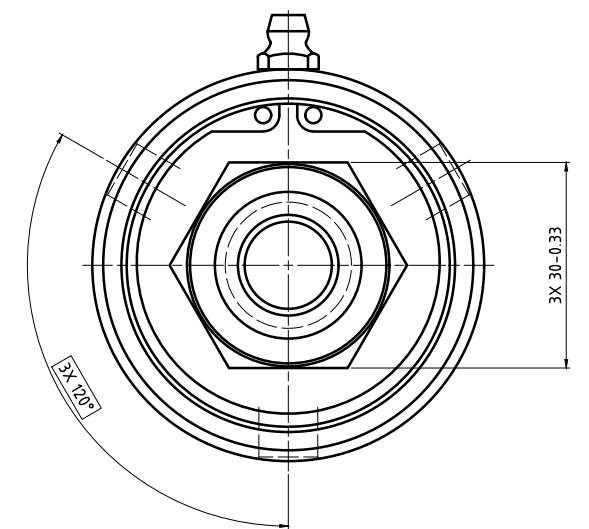
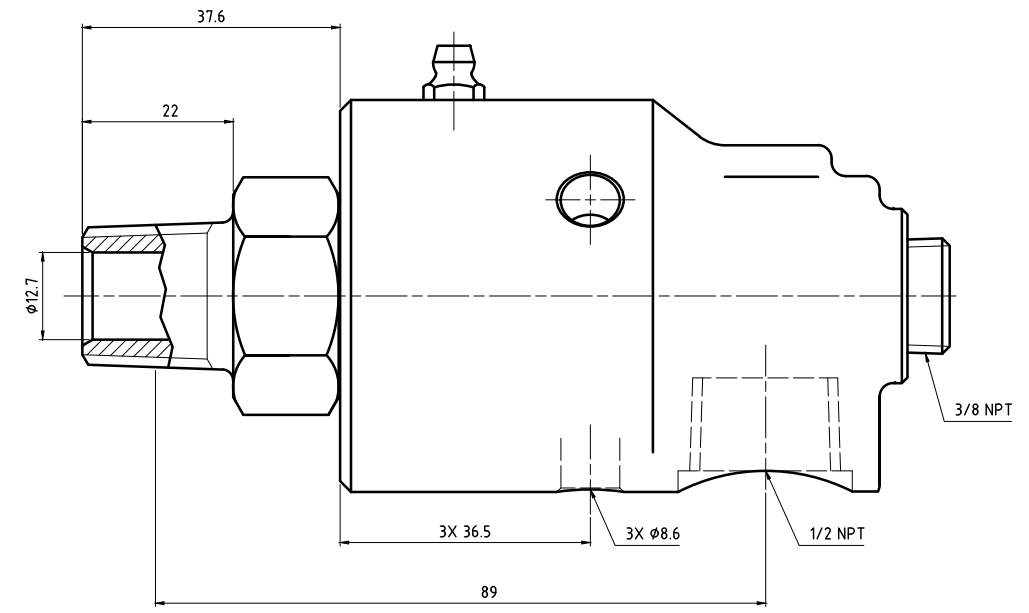
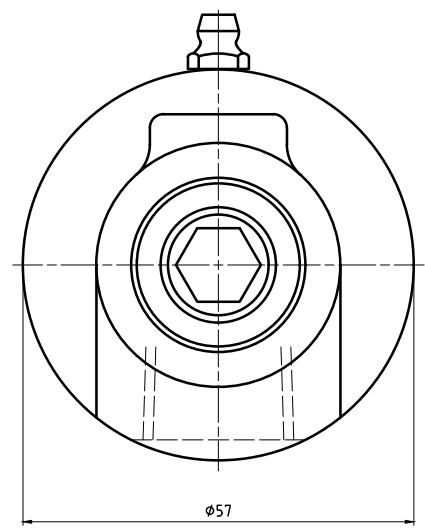


CONFIDENTIAL  
 THIS DOCUMENT CONTAINS CONFIDENTIAL AND PROPRIETARY INFORMATION OF DEUBLIN COMPANY. COPYING, REPRODUCTION, DISTRIBUTION, AND DISCLOSURE ARE SUBJECT TO THE TERMS AND CONDITIONS CONTAINED IN YOUR AGREEMENT WITH DEUBLIN COMPANY. ALL RIGHTS RESERVED.

NOTES:  
 ⚠ - PLUG INSTALLED HAND TIGHT FROM FACTORY. IF PORT IS NOT UTILIZED, TIGHTEN BEFORE USE.



OPERATING DATA		
MEDIA	WATER	
MAX WATER PRESSURE	750 PSI	51 bar
MAX WATER TEMP.	250°F	121°C
MAX SPEED	1500 RPM	1500/min

	PROJECTION:	SCALE: 2:1	MATERIAL: <b>INTERFACE CONTROL DRAWING</b>
	DATE: 04/23/12	NAME: N. Reyna	
ENGR: 04/23/12	T. Wilson	<b>DEUBLIN UNION</b>	
APPD:		NO.:	<b>155-208-113</b>
<small>UNLESS SPECIFICALLY TOLERANCED, ALL DIMENSIONS ARE CONSIDERED REFERENCE</small>			SHEET <b>A2</b>
ISSUE/	MODIFICATION	ECD	DATE
			SIGN