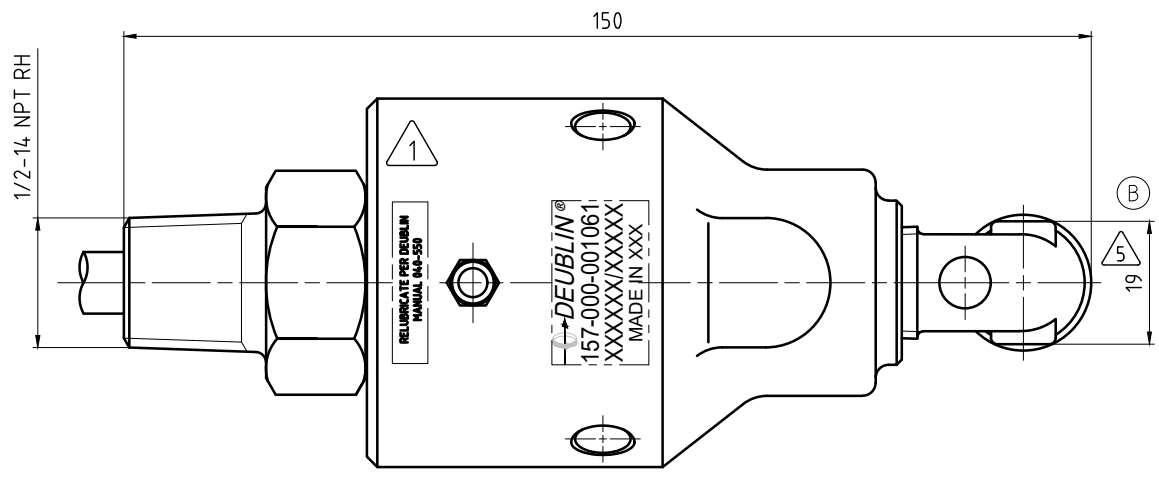
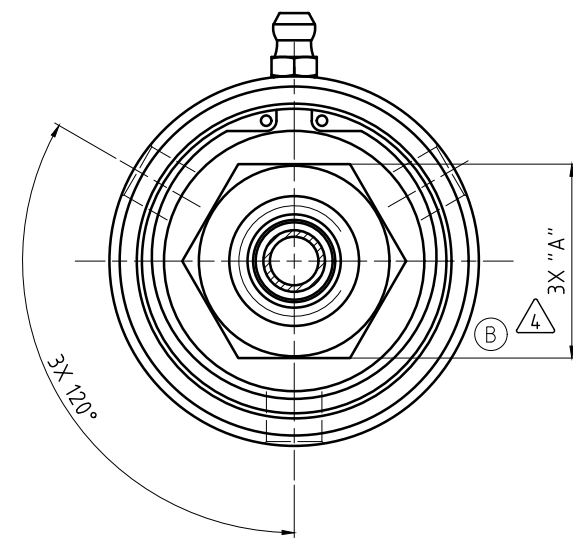
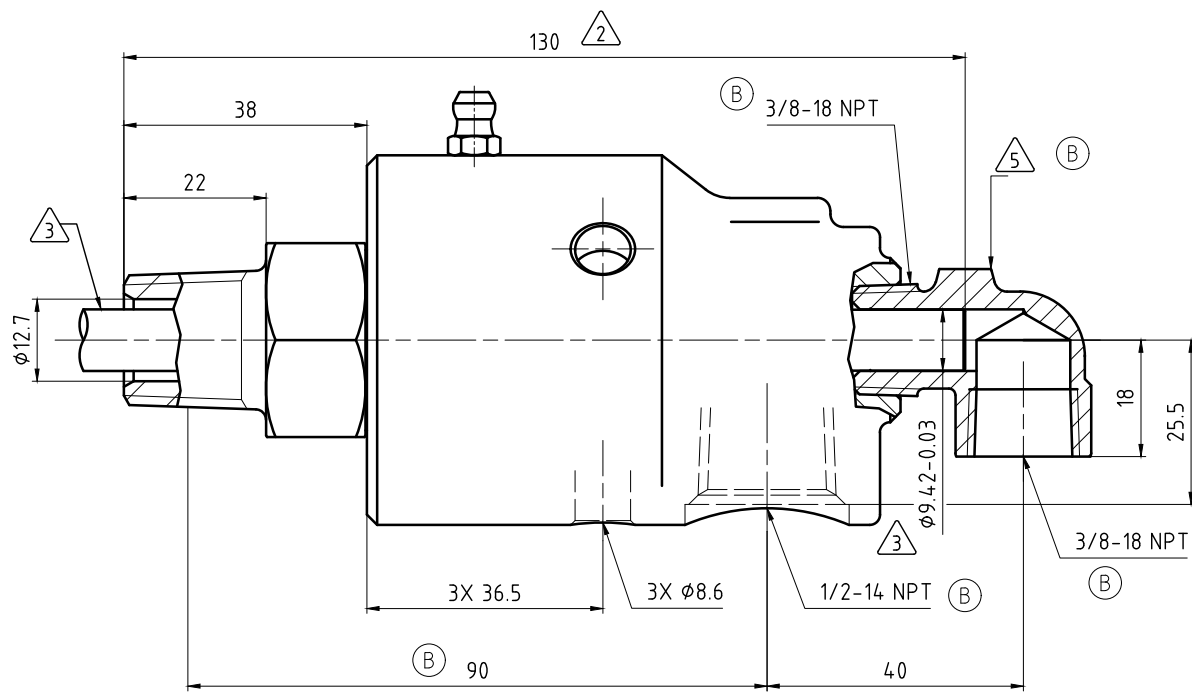
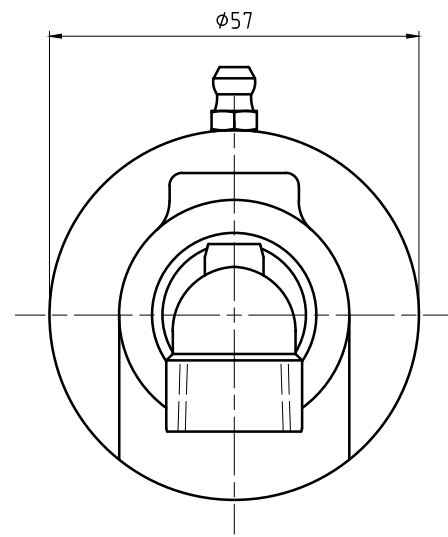


CONFIDENTIAL
 THIS DOCUMENT CONTAINS CONFIDENTIAL AND PROPRIETARY INFORMATION OF DEUBLIN COMPANY. COPYING, USE, TRANSMISSION, DISTRIBUTION, AND DISCLOSURE ARE SUBJECT TO THE TERMS AND CONDITIONS CONTAINED IN YOUR AGREEMENT WITH DEUBLIN COMPANY. ALL RIGHTS RESERVED.

NOTES:

- ① - CONTACT DEUBLIN OR VISIT WWW.DEUBLIN.COM FOR INSTRUCTION MANUAL: 040-550
- ② - PIPE LENGTH.
- ③ - PIPE SUPPLIED BY CUSTOMER.
- ④ - DEPENDING ON COUNTRY OF ORIGIN, HEX STOCK MAY VARY AS NOTED. SEE TABLE FOR ACCEPTABLE WRENCH SIZES.

⑤ - FITTING TO BE ASSEMBLED HAND-TIGHT, OR MAY BE SHIPPED UNASSEMBLED.



OPERATING DATA			
MEDIA	WATER	SATURATED STEAM (INTERMITTENT)	THERMAL OIL
PRESSURE MAX.	50 bar	1 bar	6.6 bar
SPEED MAX.	1500 min ⁻¹		
TEMPERATURE MAX.	121 °C		
DRY RUN (WITHOUT ANY MEDIA)	NO		
RECOMMENDED FILTRATION	60 micron		

④	HEX SIZES		WRENCHES	
	UNITS	"A"	30mm	1 1/8"
METRIC [mm]	30-0.13	✓	☒	
IMPERIAL [in]	1.125-0.006	✓	✓	



PROJECTION:	SCALE: 1:0.75
MATERIAL:	INTERFACE CONTROL DRAWING
DATE	NAME
DRN: 07/08/16	N. Reyna
ENGR: 07/08/16	T. Wilson
APPD.	
TITLE:	DEUBLIN ROTATING UNION DEUBLIN Drehdurchführung
NO.	157-000-001061
SHEET	A2

B	SEE ECD	60341	02/21	MSK
A	SEE ECD	056312	05/20	MZe
ISSUE	MODIFICATION	ECO	DATE	SIGN

UNLESS SPECIFICALLY TOLERANCED, ALL DIMENSIONS ARE CONSIDERED REFERENCE