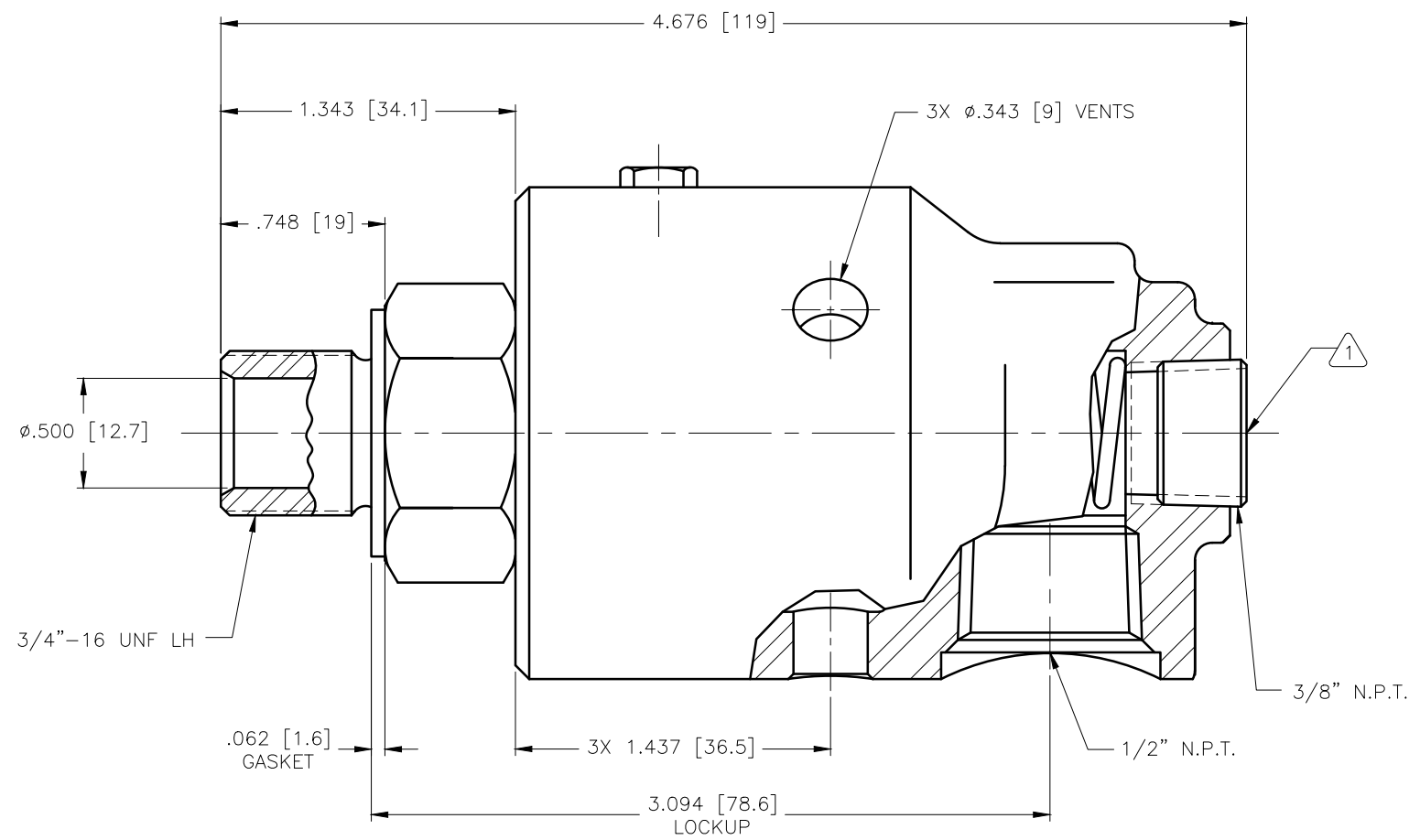
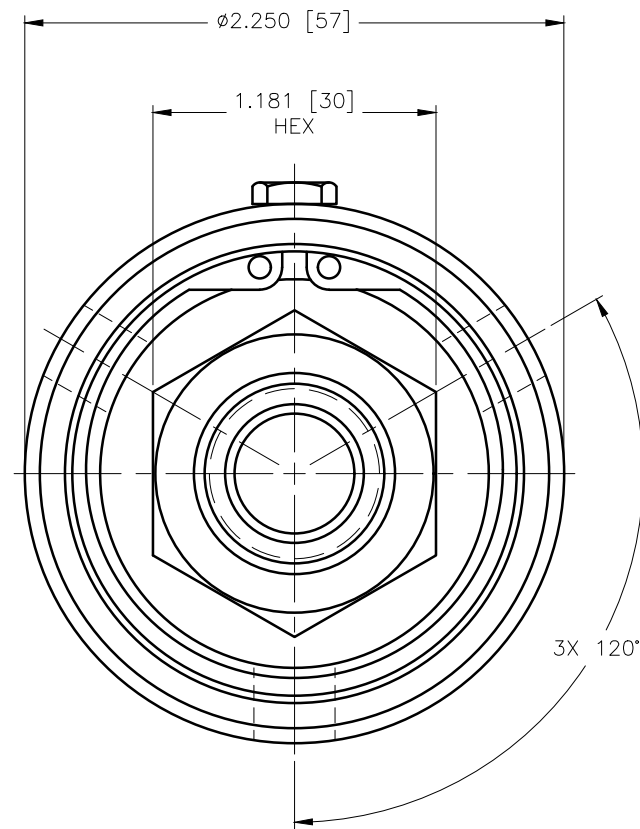


CONFIDENTIAL
 THIS DOCUMENT CONTAINS CONFIDENTIAL AND PROPRIETARY INFORMATION OF DEUBLIN COMPANY. COPYING, USE, TRANSMISSION, DISTRIBUTION, AND DISCLOSURE ARE SUBJECT TO THE TERMS AND CONDITIONS CONTAINED IN YOUR AGREEMENT WITH DEUBLIN COMPANY. ALL RIGHTS RESERVED.

NOTES:

① - PLUG INSTALLED HAND TIGHT FROM FACTORY. IF PORT IS NOT UTILIZED, TIGHTEN BEFORE USE.



OPERATING DATA		
MEDIA	WATER	
MAX WATER PRESSURE	150 PSI	10 bar
MAX WATER TEMP.	200°F	93°C
MAX SPEED	3500 RPM	3500/min

SCALE	2:1	DWG SIZE		UNLESS SPECIFICALLY TOLERANCED, ALL DIMENSIONS ARE REFERENCE DIMENSIONS IN [] ARE IN MILLIMETERS.	DEUBLIN COMPANY WAUKEGAN, ILLINOIS, U.S.A.
DRN	NR	03/02/09			
ENGR	TW	03/02/09			
APPD	TW	03/02/09			
PART NO.	157-000-022				TITLE: INTERFACE CONTROL DRAWING OF DEUBLIN UNION 157-000-022
CUSTOMER					DWG NO. 157-000-022 C.A.D. DRAWING
LET.	REVISION	ECO	DATE	SIGN	